

Design No. **W307**

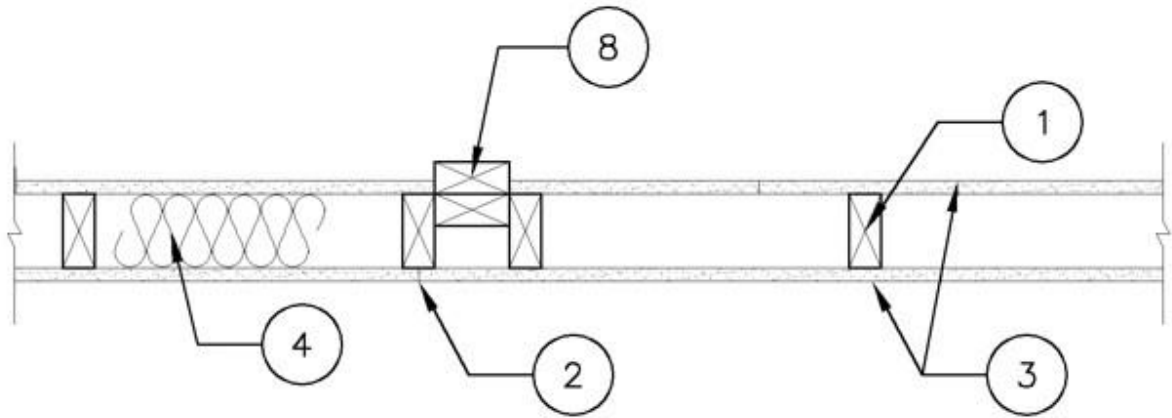
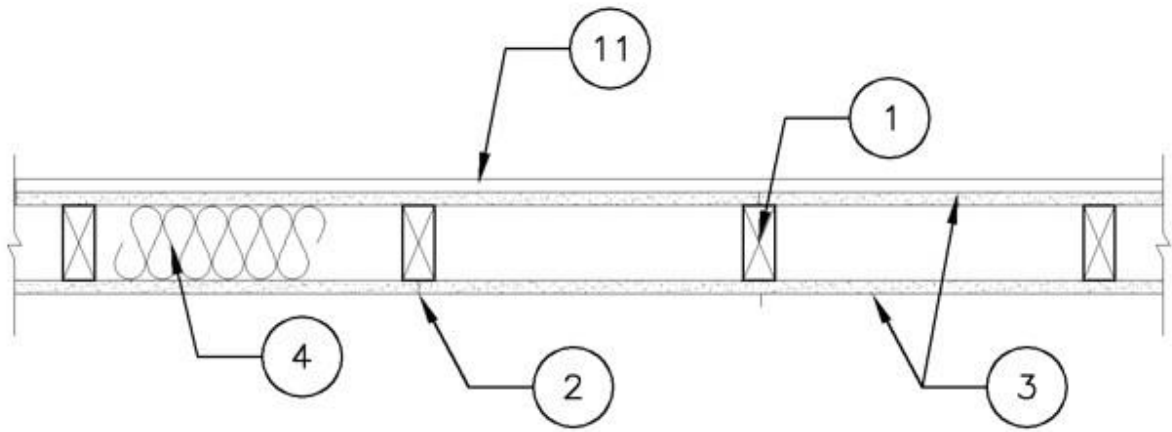
February 3, 2023

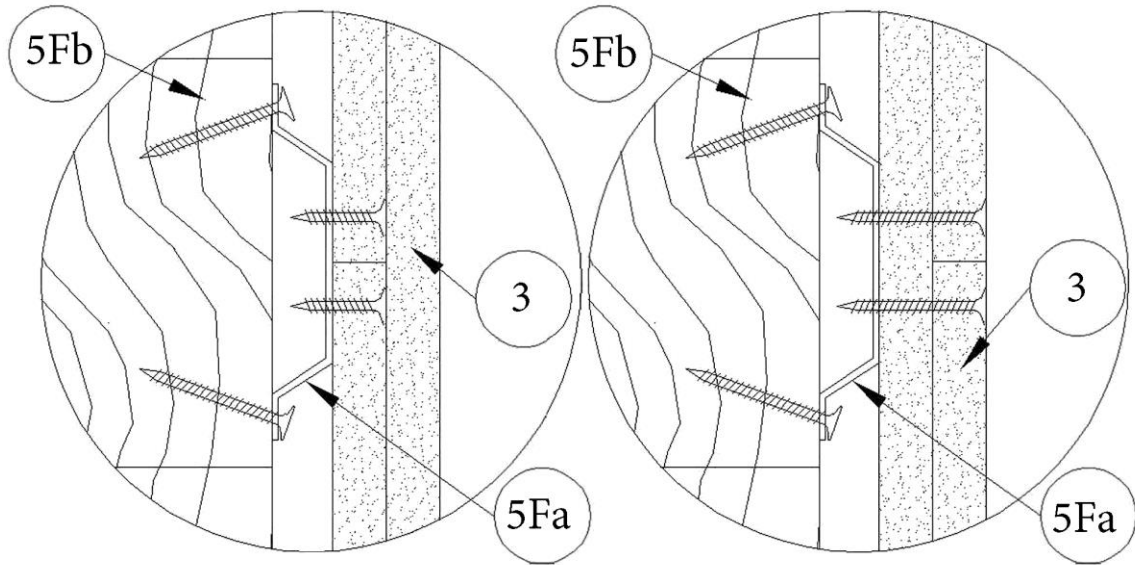
Bearing Wall Rating — 1 or 2 Hr (see Item 3).

Finish Rating — See Items 3, 3A, and 3B

This design was evaluated using a load design method other than the Limit States Design Method (e.g., Working Stress Design Method). For jurisdictions employing the Limit States Design Method, such as Canada, a load restriction factor shall be used — See Guide [BXUV](#) or [BXUV7](#)

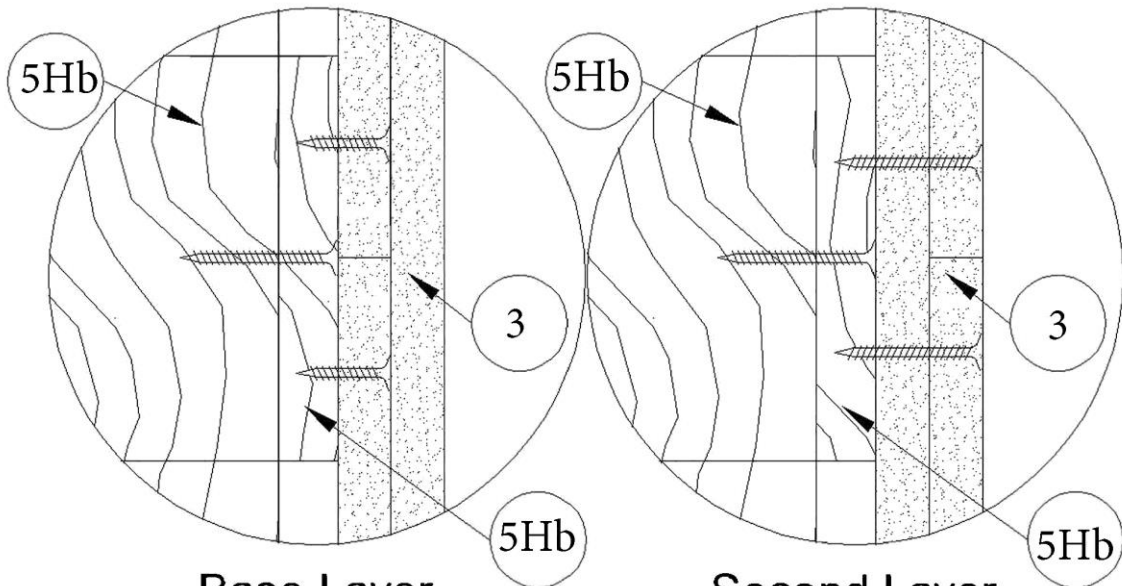
*** Indicates such products shall bear the UL or cUL Certification Mark for jurisdictions employing the UL or cUL Certification (such as Canada), respectively.**





Base Layer
End Joint Detail

Second Layer
End Joint Detail



Base Layer
End Joint Detail

Second Layer
End Joint Detail

1. **Wood Studs** — Nom 2 by 4 in. spaced 16 in. OC max, effectively firestopped.

2. **Joints and Nail-Heads** — Joints covered with joint compound and paper tape. Joint compound and paper tape may be omitted when square edge boards are used. As an alternate, nom 3/32 in. thick gypsum veneer plaster may be applied to the entire surface of Classified veneer baseboard with the joints reinforced with paper tape. Nailheads exposed or covered with joint compound.

3. **Gypsum Board*** — **For 1 Hr Rating** - 5/8 in. thick gypsum panels, with beveled, square, or tapered edges, applied either horizontally or vertically. Gypsum panels fastened to framing with 1-1/4 in. long Type W coarse thread gypsum panel steel screws spaced a max 8 in. OC, with last screw

1 in. from edge of board. When used in widths of other than 48 in., gypsum boards are to be installed horizontally. For an alternate method of attachment of gypsum panels, refer to Items 5 through 5E, **Steel Framing Members***.

For 1 Hr Rating - When Items 5, 5B, 5C, 5D, or 5E, **Steel Framing Members***, are used, gypsum panels attached to furring channels with 1 in. long Type S bugle-head steel screws spaced 12 in. OC.

When Item 5A, **Steel Framing Members***, is used, two layers of gypsum panels attached to furring channels. Base layer attached to furring channels with 1 in. long Type S bugle-head steel screws spaced 12 in. OC. Face layer attached to furring channels with 1-5/8 in. long Type S bugle-head steel screws spaced 12 in. OC. All joints in face layers staggered with joints in base layers. One layer of gypsum board attached to opposite side of wood stud without furring channels as described in Item 3.

For 1 Hr Rating - When Item 5F or 5H, **Framing Members***, is used, Two layers, applied vertically, and attached to wood studs (Item 1) and furring (Item 5Fa or 5Ha). Vertical gypsum board side joints offset 24 inches between layers. Vertical joints staggered one stud cavity on opposite sides of studs. Type W steel screws used for wood framing. Type S steel screws used for steel framing. Attachment to furring channels - First layer - 1-1/4 in. long, 3, 6 and 18 inches from each board edge. Second layer - 1-7/8 in. long (2 in. with wood framing), spaced 12 inch OC with first fastener 2 in. from vertical board edge. Direct attachment to framing - First layer (to plates) - 1-1/4 in. long, 3, 6 and 18 inches from each board edge. First layer (to studs) - 1-1/4 in. long, 3, 6 and 18 inches board ends and 24 in. OC thereafter. Second layer - 1-7/8 in. long, spaced 2 inch from each board edge and 12 in. OC thereafter.

For 1 Hr Rating - When Item 6, resilient channels are used, 5/8 in. thick, 4 ft wide gypsum panels applied vertically. Screw attached furring channels with 1 in. long, self-drilling, self-tapping Type S or S-12 steel screws spaced 8 in. OC, vertical joints located midway between studs.

For 2 Hr Rating - 5/8 in. thick applied either horizontally or vertically. Inner layers fastened to framing with 1-1/4 in. long Type W coarse thread gypsum panel steel screws spaced a max 8 in. OC, with last screw 1 in. from edge of board. Outer layers fastened to framing with 1-7/8 in. long Type W coarse thread gypsum panel steel screws spaced a max 8 in. OC, with last screw 1 in. from edge of board. When used in widths other than 48 in., gypsum board to be installed horizontally. All joints in face layers staggered with joints in base layers. Joints of each base layer offset with joints of base layer on opposite side.

CERTAINTEED GYPSUM INC — Types EGRG, GlasRoc, GlasRoc-2, Type C, Type X-1, Easi-Lite Type X, SilentFX

3A. **Gypsum Board*** — (As an alternate to Item 3 for 1 Hr Rating) 5/8 in. thick gypsum panels, with beveled, square, or tapered edges, applied either horizontally or vertically. Gypsum panels fastened to framing with 1-1/4 in. long Type W coarse thread gypsum panel steel screws spaced a max 8 in. OC, with last screw 1 in. from edge of board. When used in widths of other than 48 in., gypsum boards are to be installed horizontally.

CERTAINTEED GYPSUM INC — Type C or Type X-1 (finish rating 26 min)

3B. **Gypsum Board*** — (As an alternate to Item 3 for 1 Hr Rating) 5/8 in. thick paper surfaced applied vertically or horizontally. Gypsum panels secured with 1-1/4 in. Type W coarse thread gypsum panel steel screws spaced a maximum of 12 in. OC.

CERTAINTEED GYPSUM INC — Type SilentFX

3C. **Gypsum Board*** — (As an alternate to Item 3 for 1 Hr Rating) 5/8 in. thick, 4 ft. wide, applied horizontally or vertically with vertical joints centered over studs and staggered one stud cavity on opposite sides of studs. Secured as described in Item 3 or 3A.

CERTAINTEED GYPSUM INC — Easi-Lite Type X (finish rating 24 min), Easi-Lite Type X-2 (finish rating 24 min)

3D. **Gypsum Board*** — (As an alternate to Item 3 - For use with Item 4B) — Any 5/8 in. thick, 4 ft. wide, Gypsum Board listed in Item 3 above. Applied vertically with vertical joints centered over studs and staggered one stud cavity on opposite sides of studs. Gypsum panels secured to studs with 1-5/8 in. long Type W coarse thread gypsum panel steel screws spaced 8 in. OC at perimeter and in the field.

3E. **Gypsum Board*** — (As an alternate to Item 3 - For use with Item 4C) — Any 5/8 in. thick, 4 ft. wide, Gypsum Board listed in Item 3 above. Applied vertically with vertical joints centered over studs and staggered one stud cavity on opposite sides of studs. Gypsum panels secured to studs with 1-1/4 in. long Type W screws spaced 8 in. OC at perimeter and in the field with last screw 1 in. from edge of board. Outer layers fastened to framing with 1-7/8 in. long Type W screws spaced a max 8 in. OC, with last screw 1 in. from edge of board

4. **Batts and Blankets*** — (Optional) Required when Item 5 - 5F, 5H or Item 6 are used (RC-1) Glass fiber or mineral wool insulation that completely fills the stud cavities Placed to completely or partially fill the stud cavities.. See **Batts and Blankets** (BKNV or BZJZ) Categories for names of Classified companies.

4A. **Fiber, Sprayed*** — (As an alternate to Item 4) — Spray applied cellulose material. The fiber is applied with or without water or adhesive to completely fill the enclosed cavity in accordance with the application instructions supplied with the product.

AMERICAN ROCKWOOL MANUFACTURING, LLC — Type Rockwool Premium Plus – Min 4.0 pcf

APPLEGATE HOLDINGS L L C — Applegate Advanced Stabilized Cellulose Insulation – Min 5.79 pcf

INTERNATIONAL CELLULOSE CORP — Celbar-RL – Min 4.3 pcf

NU-WOOL CO INC — Cellulose Insulation – Min 4.3 pcf

Applegate Greenfiber Acquisition LLC — **INS735, INS745, INS750LD, and Insulmax and SANCTUARY for use with wet or dry application – Min 2.7 pcf wet, Min 3.5 pcf dry. INS515LD, INS541LD, INS735, INS765LD, and INS773LD are to be used for dry application only – Min 3.5 pcf**

4B. **Foamed Plastic*** — (Optional, Not Shown - For use with Item 3D) — Spray applied, foamed plastic insulation, at any thickness from partial fill to completely filling stud cavity.

GACO WESTERN L L C — Types GacoEZSpray F4500, GacoProFill FR6500R, Gaco 052N, GacoOnePass F1850, GacoOnePass Low GWP F1880, and Gaco WallFoam 183M

CARLISLE SPRAY FOAM INSULATION — Types SealTite Pro Closed Cell (CC), SealTite Pro Open Cell (OC), SealTite Pro OCX, SealTite Pro No Trim 21, SealTite Pro One Zero, Foamsulate Closed Cell, Foamsulate OCX, Foamsulate 70, and Foamsulate HFO.

4C. **Foamed Plastic*** — (Optional, Not Shown - For use with Item 3D) — Spray applied, foamed plastic insulation, at any thickness from partial fill to completely filling stud cavity.

BASF CORP - Enertite® NM, Enertite® G, FE178®, Spraytite® 178, Spraytite® 81206, Walltite® 200, Walltite® US, Walltite® US-N, Walltite® HP+, Spraytite® Comfort XL, and Walltite® XL

5. **Steel Framing Members*** — (Optional, Not Shown) Furring channels and Steel Framing Members as described below:

a. **Furring Channels** — Formed of No. 25 MSG galv steel. 2-9/16 in. or 2-23/32 in. wide by 7/8 in. deep, spaced 24 in. OC perpendicular to studs. Channels secured to studs as described in Item b. Ends of adjoining channels are overlapped 6 in. and tied together with double strand of No. 18 SWG galv steel wire near each end of overlap. As an alternate, ends of adjoining channels may be overlapped 6 in. and secured together with two self-tapping #6 framing screws, min. 7/16 in. long at the midpoint of the overlap, with one screw on each flange of the channel. Gypsum board attached to furring channels as described in Item 3.

b. **Steel Framing Members*** — Used to attach furring channels (Item 5a) to studs. Clips spaced 48 in. OC. RSIC-1 and RSIC-1 (2.75) clips secured to studs with No. 8 x 2-1/2 in. coarse drywall screw through the center grommet. RSIC-V and RSIC-V (2.75) clips secured to studs with No. 8 x 1-1/2 in. coarse drywall screw through the center hole. Furring channels are friction fitted into clips. RSIC-1 and RSIC-V clips for use with 2-9/16 in. wide furring channels. RSIC-1 (2.75) and RSIC-V (2.75) clips for use with 2-23/32 in. wide furring channels.

PAC INTERNATIONAL L L C — Types RSIC-1, RSIC-V, RSIC-1 (2.75), RSIC-V (2.75)

5A. **Steel Framing Members*** — (Optional, Not Shown) Furring channels and Steel Framing Members on one side of studs as described below:

a. **Furring Channels** — Formed of No. 25 MSG galv steel, spaced 24 in. OC perpendicular to studs. Channels secured to studs as described in Item b. Ends of adjoining channels are overlapped 6 in. and tied together with double strand of No. 18 SWG galv steel wire near each end of overlap. Batts and Blankets placed in stud cavity as described in Item 4. Two layers of gypsum board attached to furring channels as described in Item 3.

b. **Steel Framing Members*** — Used to attach furring channels (Item 5Aa) to one side of studs only. Clips spaced 48 in. OC., and secured to studs with two No. 8 x 2-1/2 in. coarse drywall screws, one through the hole at each end of the clip. Furring channels are friction fitted into clips.

KINETICS NOISE CONTROL INC — Type Isomax

5B. **Steel Framing Members*** — (Optional, Not Shown) Furring channels and Steel Framing Members as described below:

a. **Furring Channels** — Formed of No. 25 MSG galv steel. 2-3/8 in. wide by 7/8 in. deep, spaced 24 in. OC perpendicular to studs. Channels secured to studs as described in Item 5Bb. Ends of adjoining channels are overlapped 6 in. and tied together with double strand of No. 18 SWG galv steel wire near each end of overlap. As an alternate, ends of adjoining channels may be overlapped 6 in. and secured together with two self-tapping #6 framing screws, min. 7/16 in. long at the midpoint of the overlap, with one screw on each flange of the channel. Gypsum board attached to furring channels as described in Item 3.

b. **Steel Framing Members*** — Used to attach furring channels (Item 5Ba) to studs. Clips spaced 48 in. OC. Genie clips secured to studs with No. 8 x 1-1/2 in. coarse drywall screw through the center hole. Furring channels are friction fitted into clips.

PLITEQ INC — Type Genie Clip

5C. **Steel Framing Members*** — (Optional, Not Shown) Furring channels and Steel Framing Members as described below:

a. **Furring Channels** — Formed of No. 25 MSG galv steel. Spaced 24 in. OC perpendicular to studs. Channels secured to studs as described in Item 5Cb. Ends of adjoining channels overlapped 6 in. and tied together with double strand of No. 18 AWG galvanized steel wire. Gypsum board attached to furring channels as described in Item 3.

b. **Steel Framing Members*** — Used to attach furring channels (Item 5Ca) to studs. Clips spaced 48 in. OC., and secured to studs with No. 2 in. coarse drywall screw with 1 in. diam washer through the center hole. Furring channels are friction fitted into clips.

STUDCO BUILDING SYSTEMS — RESILMOUNT Sound Isolation Clips - Type A237 or A237R

5D. **Steel Framing Members*** — (Optional, Not Shown) Furring channels and Steel Framing Members as described below:

a. **Furring Channels** — Formed of No. 25 MSG galv steel, spaced 24 in. OC, and perpendicular to studs. Channels secured to studs as described in Item 5Db. Ends of adjoining channels overlapped 6 in. and secured in place with a double strand of No. 18 AWG twisted steel wire. Gypsum board attached to furring channels as described in Item 3.

b. **Steel Framing Members*** — Used to attach furring channels (Item 5Da) to studs. Clips spaced 48 in. OC., and secured to studs with No. 8 x 2-1/2 in. coarse drywall screw through the center hole. Furring channels are friction fitted into clips.

REGUPOL AMERICA — Type SonusClip

5E. **Steel Framing Members*** — (Optional, Not Shown) Resilient channels and Steel Framing Members as described below:

a. **Resilient Channels** — For use with item 4. For use on one side of wall only. Formed of No. 25 MSG galv steel, spaced 24 in. OC, and perpendicular to studs. Channels secured to studs as described in Item 5Eb. Ends of adjoining channels overlapped 6 in. and secured in place with two No. 8 15 x 1/2

in. Philips Modified Truss screws spaced 2-1/2 in. from the center of the overlap. Gypsum board attached to resilient channels as described in Item 3.

b. **Steel Framing Members*** — Used to attach resilient channels (Item 5Ea) to studs. Clips spaced 48 in. OC., and secured to studs with No. 8 x 2-1/2 in. coarse drywall screw through the center hole. Resilient channels are secured to clips with one No. 10 x 1/2 in. pan-head self-drilling screw.

KEENE BUILDING PRODUCTS CO INC — Type RC+ Assurance Clip

5F. **Steel Framing Members*** — (Optional, Not Shown) — Furring channels and Framing Members as described below:

a. **Furring Channels** — For use with item 4. For use on one side of wall only. Formed of No. 25 MSG galv steel, spaced 24 in. OC, and perpendicular to studs. First channel centered max. 3 in. from end of studs. Channels secured to rafts with two angled 1-1/4 inch (No. 6) Type W drywall screws. One on each side of the channel. Ends of adjoining channels overlapped 6 in. and tied together with double strand of No. 18 AWG galvanized steel wire. As an alternate, ends of adjoining channels may be overlapped 6 in. and secured together with two self-tapping No. 6 framing screws, min. 7/16 in. long at the midpoint of the overlap, with one screw on each flange of the channel. Two layers of gypsum board attached to furring channels as described in Item 3.

b. **Framing Members*** — Used to attach resilient channels (Item 5Fa) to studs (Item 1). Rafts secured to each stud, spaced a maximum of 48 in. OC. vertically. Staggered 24 inch on center vertically on each adjacent stud. At the beginning or end of furring channel runs, additional rafts installed to support the ends of all furring channels. At stud ends, rafts may be installed on plates to achieve required furring channel spacing. Secured with two 1-5/8 inch (No. 6) Type W drywall screws. One on each side of the core. Fasteners should not be placed closer than 1/4 inch to the edges of the mounts.

BCD LLC — Type HushFrame Raft Connector

5G. **Steel Framing Members*** — (Optional, Not Shown) — Resilient channels and Steel Framing Members as described below:

a. **Resilient Channels** — For use with item 4. For use on one side of wall only. Formed of No. 25 MSG galv steel, spaced 24 in. OC, and perpendicular to studs. Channels secured to studs as described in Item b. Gypsum board attached to resilient channels as described in Item 3.

b. **Steel Framing Members*** — Used to attach resilient channels to wall studs. A resilient sound isolation accessory shall be used at each attachment point of the resilient channels to the studs. Channel ends butted and centered under the structural members and attached with one accessory at each end. Additional accessories used to hold resilient channels that support the gypsum board end joints. The accessory envelops the mounting edge of the resilient channel. The accessory and resilient channel are fastened to the studs with the screws supplied with the accessory and per the accessory manufacturer's installation instructions.

PAC INTERNATIONAL L L C — Type RC-1 Boost

5H. **Framing Members** — (Optional, Not Shown, As an alternative to Item 5) — Furring channels and Framing Members as described below:

a. **Furring Strips** — Nominal 1 in. deep by 3 in. wide wooden furring strips, spaced 24 in. OC perpendicular to studs. First channel centered max. 3 in. from end of studs. Furring secured with one 2 in. long, Type W screws into the rafts. Ends of adjoining furring butted, between studs, and joined with an overlapping 12 in. furring strip fastened with two 2 in. long Type W screws equally spaced on both sides of the butt joint. Two layers of gypsum board attached to furring channels as described in Item 3.

b. **Framing Members*** — Used to attach furring channels (Item 5Ha) to studs (Item 1). Rafts secured to each stud, spaced a maximum of 48 in. OC. vertically. Staggered 24 inch on center vertically on each adjacent stud. At the beginning or end of furring channel runs, additional rafts installed to support the ends of all furring channels. At stud ends, rafts may be installed on plates to achieve required furring channel spacing. Secured with two 1-5/8 inch (No. 6) Type W drywall screws. One on each side of the core. Fasteners should not be placed closer than 1/4 inch to the edges of the mounts.

BCD LLC — Type HushFrame Raft Connector

6. **Furring Channel** — Optional — Not Shown — For use on one side of the wall - Resilient channels, 25 MSG galv steel, spaced vertically 24 in. OC, flange portion screw attached to one side of studs with 1-1/4 in. long diamond shaped point, double lead Phillips head steel screws. When resilient channels are used, insulation, Item 4 is required.

7. **Caulking and Sealants** — (Not Shown, Optional) A bead of acoustical sealant applied around the partition perimeter for sound control.

8. **Non-Bearing Wall Partition Intersection** — (Optional) — Two nominal 2 by 4 in. studs or nominal 2 by 6 in. studs nailed together with two 3 in. long 10d nails spaced a max. 16 in. OC. vertically and fastened to one side of the minimum 2 by 4 in. stud with 3 in. long 10d nails spaced a max. 16 in. OC. vertically. Intersection between partition wood studs to be flush with the 2 by 4 in. studs. The wall partition wood studs are to be framed by with a second 2 by 4 in. wood stud fastened with 3 in. long 10d nails spaced a max. 16 in. OC. vertically. Maximum one non-bearing wall partition intersection per stud cavity. Non-bearing wall partition stud depth shall be at a minimum equal to the depth of the bearing wall.

9. **Mesh Netting** — (Optional, Not Shown) Any thin, woven or non-woven fibrous netting material attached with staples to the outer face of one row of studs to facilitate the installation of the sprayed fiber from the opposite row.

10. **Mineral and Fiber Board*** — (Optional, Not Shown) For optional use as an additional layer on one side of wall. Nom 1/2 in. thick, 4 ft wide with long dimension parallel and centered over studs. Attached to framing with 2 in. long Type W steel screws, spaced 12 in. OC. The required UL Classified gypsum board layer(s) is/are to be installed as indicated as to fastener type and spacing, except that the required fastener length shall be increased by a minimum of 1/2 in. Not evaluated or intended as a substitute for the required layer(s) of UL Classified Gypsum Board.

HOMASOTE CO — Homasote Type 440-32

10A. **Mineral and Fiber Board*** — (Optional, Not Shown) For use with Items 10B-10E.) For optional use as an additional layer on one side of wall. Nom 1/2 in. thick, 4 ft wide with long dimension parallel and centered over studs. Attached to framing with minimum 1-3/8 in. long ring shanked nails or 1-1/4 in. long Type W steel screws, spaced 12 in. OC along board edges and 24 in. OC in field of board along intermediate framing. Not evaluated or intended as a substitute for the required layer(s) of UL Classified Gypsum Board.

HOMASOTE CO — Homasote Type 440-32

10B. **Glass Fiber Insulation** — (For use with Item 10A) 3-1/2 in. thick glass fiber batts bearing the UL Classification Marking as to Surface Burning and/or Fire Resistance, placed to fill the interior of the wall. See Battis and Blankets (BKNV or BZJZ) categories for names of Classified companies.

10C. **Batts and Blankets*** — (As an alternate to Item 10B, For use with Item 10A) 3 in. thick mineral wool batts, placed to fill interior of wall, attached to the 3-1/2 in. face of the studs with staples placed 24 in. OC.

THERMAFIBER INC — Type SAFB, SAFB FF

10D. **Adhesive** — (For use with Item 10A) Construction grade adhesive applied in vertical, serpentine, nominal 3/8 in. wide beads down the length of both vertical edges of Mineral and Fiber Board (Item 10A).

10E. **Gypsum Board*** — (For use with Item 10A) 5/8 in. thick, 4 ft wide, applied vertically over Mineral and Fiber Board (Item 10A) with vertical joints located anywhere over stud cavities. Secured to mineral and fiber boards with 1-1/2 in. Type G Screws spaced 8 in. OC along edges of each vertical joint and 12 in. OC in intermediate field of the Mineral and Fiber Board (Item 10A). Secured to outermost studs and bearing plates with 2 in. long Type S screws spaced 8 in. OC. Gypsum Board joints covered with paper tape and joint compound. Screw heads covered with joint compound. Finish Rating 30 Min.

CERTAINTED GYPSUM INC — Type FRPC, Type C

10F. **Mineral and Fiber Board** — (Optional, Not Shown) For optional use as an additional layer on one side of wall - Nom 1/2 in. thick, 4 ft wide, square edge fiber boards applied vertically to studs on one side of the wall in between the wood studs and the UL Classified Gypsum Board (Item 3). Fiber boards installed with 1-1/4 in. long, Type W, bugle head, coarse thread gypsum board screws spaced 12 in. OC max, with the last screws spaced 2 in. and 6 in. from edge of board. Gypsum board (Item 3) installed as indicated as to fastener type and spacing, except that the required fastener length shall be increased by a minimum of 1/2 in. Not evaluated or intended as a substitute for the required layer(s) of UL Classified Gypsum Board.

BLUE RIDGE FIBERBOARD INC — SoundStop

11. **Exterior Facings** — (Optional) Any exterior facing, as authorized by the Authority having Jurisdiction and installed in accordance with the manufacturer's installation instructions. Exterior facings may include but are not limited to:

A. **Molded Plastic*** — Solid vinyl siding mechanically secured to framing members in accordance with manufacturer's recommended installation details.

B. **Brick** — Brick veneer, meeting the requirements of local code agencies. Brick veneer attached to the studs with corrugated metal wall ties attached to each stud with 8d cement coated nails, every sixth course of bricks.

C. **Particle Board Siding** — Oriented strand board, wafer board, or hard board exterior building sidings including patterned panels.

D. **Plywood** — American Plywood Association rated siding including T1-11 and series 303 textures, rough sawn, MDO, brushed, channel grooved, and lap siding.

E. **Cementitious Stucco** — Portland cement or synthetic stucco systems (e.g. EIFS) with self-furring metal lath or adhesive base coat. Thickness from 3/8 in. to 3/4 in. depending on system.

F. **Fiber Cement Siding** — Fiber Cement Lap or Vertical Siding. Minimum 5/16 in. thick, fastened to studs through the Building Units, Item 5, with nails or screws, at the locations specified by the manufacturer.

12. **Foamed Plastic*** — (Optional, Not Shown) For use with brick veneer as outlined in Item 11B - Maximum 2 in. thick rigid polystyrene insulation attached to studs with fasteners of sufficient length to penetrate the foam and 3/16 in. into the stud. A minimum 1 in. air space is to be maintained between the outer surface of the foamed plastic and the inner surface of the brick veneer.

ATLAS MOLDED PRODUCTS, A DIVISION OF ATLAS ROOFING CORPORATION — Type ThermalStar

OWENS CORNING SCIENCE AND TECHNOLOGY, LLC

12A. **Foamed Plastic*** — (As an alternate to Item 12 - Not Shown) For use with brick veneer as outlined in Item 11B - Mortar drop protection - Foamed plastic with mortar control device attached, continuous, by drainage holes at bottom of air space behind brick veneer.

OWENS CORNING SCIENCE AND TECHNOLOGY, LLC — WeepGuard

12B. **Foamed Plastic*** — (As an alternate to Item 12 - Not Shown) Polyisocyanurate foamed plastic insulation boards, any thickness, Classified in accordance with BRYX and / or CCVW. May be used with any exterior facing shown under Item 11.

12C. **Building Unit*** — (As an alternate to Item 12 - Not Shown) Polyisocyanurate foamed plastic composite insulation boards, any thickness, Classified in accordance with BZXX. For use with any exterior facing shown under Item 11.

12D. **Foamed Plastic*** — (As an alternate to Item 12 - Not Shown) For use with brick veneer as outlined in Item 11B. Expanded polystyrene insulation installed to a maximum nominal density of 2.0 lb/ft².

BASF CORP STYRENIC FOAMS DIV — Types Neopor® GPS, Neopor® GPS IE GPS, Neopor® GPS EIFS GPS, Progressive Foam Technologies Halo, and ProBoard.

13. **Cementitious Backer Units*** — Optional, Not Shown - For Use as an additional layer over required gypsum boards) - 7/16 in., 1/2 in., 5/8 in., 3/4 in. or 1 in. thick, min. 32 in. wide.- Applied vertically or horizontally with vertical joints centered over studs. Fastened to studs and runners with cement board screws of adequate length to penetrate stud by a minimum of 3/8 in. spaced a max of 8 in. OC. When 4 ft. wide boards are used, horizontal joints need not be backed by framing.

NATIONAL GYPSUM CO — Type DuraBacker, PermaBase, DuraBacker Plus, or PermaBase Plus

*** Indicates such products shall bear the UL or cUL Certification Mark for jurisdictions employing the UL or cUL Certification (such as Canada), respectively.**

Last Updated on 2023-02-03