

# Design No. **U914**

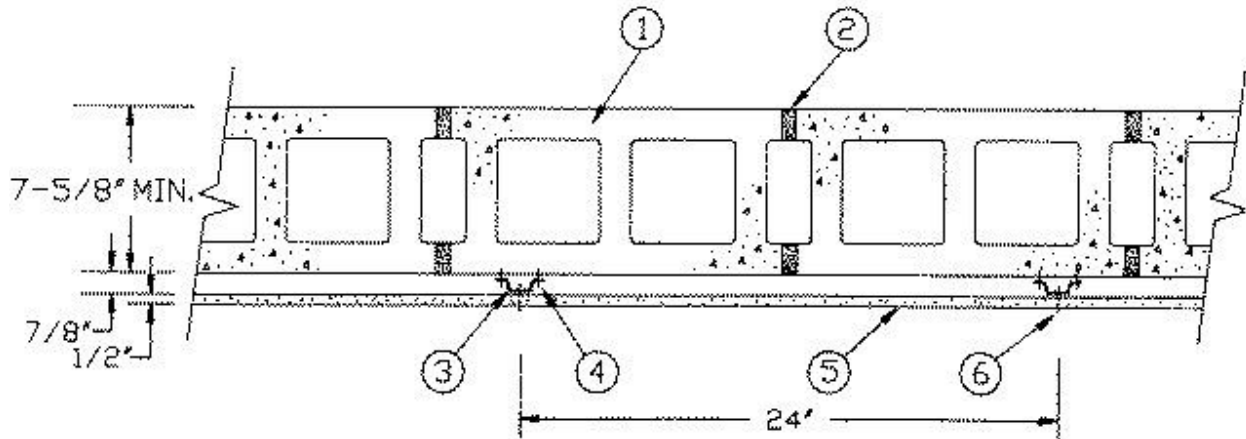
April 14, 2022

**Bearing Wall Rating — 3 HR.**

**Nonbearing Wall Rating — 3 HR.**

**This design was evaluated using a load design method other than the Limit States Design Method (e.g., Working Stress Design Method). For jurisdictions employing the Limit States Design Method, such as Canada, a load restriction factor shall be used — See Guide [BXUV](#) or [BXUV7](#)**

**\* Indicates such products shall bear the UL or cUL Certification Mark for jurisdictions employing the UL or cUL Certification (such as Canada), respectively.**



1. **Concrete Blocks\*** — Various designs. Classification D-2 (2 hr). See **Concrete Blocks** category for list of eligible manufacturers.

2. **Mortar** — Blocks laid in full bed of mortar, nom 3/8 in. thick, of not less than 2-1/4 and not more than 3-1/2 parts clean sharp sand to 1 part Portland cement (proportioned by volume) and not more than 50 percent hydrated lime (by cement volume). Vertical joints staggered.

3. **Furring Channels** — Min 0.019 in. thick (25 gauge) galv steel, 1-3/8 in. wide on top and 2-9/16 in. or 2-3/4 in. or 2-23/32 in. wide at bottom by 7/8 in. deep. Spaced 24 in. OC perpendicular to floor with a channel parallel to and approximately 3 in. above floor and 3 in. below ceiling. Clearance between vertical and horizontal channels 1/2 in.

3A. **Furring Channels** — For use with item 4D. Min 0.019 in. thick (25 gauge) galv steel, 2-23/32 in. wide by 7/8 in. deep. Spaced 24 in. OC perpendicular to floor with a channel parallel to and approximately 3 in. above floor and 3 in. below ceiling. Clearance between vertical and horizontal channels 1/2 in.

4. **Channel Fasteners** — 1-1/4 in. long masonry screws with 3/16 in. body and 5/16 in. diameter head. Fasteners spaced 24 in. O.C. with the fasteners staggered on each long leg of the furring channel.

4A. **Steel Framing Members\*** — Alternate method used to attach furring channels (Item 3) to concrete blocks (Item 1). Clips spaced 48 in. OC., and secured to blocks with 1/4 in. dia. By 3 in. long concrete expansion anchor (Item 4B) through the center grommet. Ends of adjoining channels are overlapped 6 in. and tied together with double strand of No. 18 SWG galv steel wire near each end of overlap. As an alternate, ends of adjoining channels may be overlapped 6 in. and secured together with two self-tapping #6 framing screws, min. 7/16 in. long at the midpoint of the overlap, with one screw on each flange of the channel. Furring channels are friction fitted into clips. RSIC-1 clip for use with 2-9/16 in. wide furring channels. RSIC-1 (2.75) clip for use with 2-23/32 in. wide furring channels.  
**PAC INTERNATIONAL L L C** — Types RSIC-1, RSIC-1 (2.75).

4B. **Concrete Expansion Anchor** — (Not Shown) — 1/4 in. dia. by 3 in. long carbon steel, pre-assembled, nail drive expansion anchor with mushroom head driven into the web of the concrete block. Min. embedment in concrete block of 1-3/8 in. and evaluated in accordance with ASTM E 488 to have ultimate load capacities of 980 lbs (tension) and 1400 lbs (shear) when used in 2000 psi concrete.

4C. **Steel Framing Members\*** — (Not Shown) — Alternate method used to attach furring channels (Item 3) to concrete blocks (Item 1). Clips spaced 48 in. OC., and secured to blocks with 1/4 in. dia. by 3 in. long concrete expansion anchor (Item 4B) through the center hole. Ends of adjoining channels are overlapped 6 in. tied together with double strand of No. 18 AWG galvanized steel wire. Furring channels are friction fitted into clips.

**STUDCO BUILDING SYSTEMS** — RESILMOUNT Sound Isolation Clips - Type A237R

4D. **Steel Framing Members\*** — (Not Shown) — Alternate method used to attach furring channels (Item 3) to concrete blocks (Item 1). Clips spaced 48 in. OC., and secured to blocks with 1/4 in. dia. by 3 in. long concrete expansion anchor (Item 4B) through the center hole. Ends of adjoining channels are overlapped 6 in. tied together with double strand of No. 18 AWG galvanized steel wire. Furring channels are friction fitted into clips.

**REGUPOL AMERICA** — Type SonusClip

4E. **Steel Framing Members\*** — (Optional, Not Shown) — Resilient channels and Steel Framing Members as described below:

a. **Resilient Channels** — Formed of No. 25 MSG galv steel, spaced 24 in. OC, and perpendicular to studs. Channels secured to concrete blocks as described in Item b. Ends of adjoining channels overlapped 6 in. and secured in place with two No. 8 15 x 1/2 in. Philips Modified Truss screws spaced 2-1/2 in. from the center of the overlap. Gypsum board attached to resilient channels as described in Item 5.

b. **Steel Framing Members\*** — Used to attach resilient channels (Item 4Ea) to concrete blocks. Clips spaced 48 in. OC., and secured to concrete blocks with No. 8 x 2-1/2 in. coarse drywall screw through the center hole. Resilient channels are secured to clips with one No. 10 x 1/2 in. pan-head self-drilling screw.

**KEENE BUILDING PRODUCTS CO INC** — Type RC+ Assurance Clip

4F. **Steel Framing Members\*** — Alternate method used to attach furring channels (Item 3A) to concrete blocks (Item 1). Clips spaced 48 in. OC., and secured to blocks with 1/4 in. dia. By 3 in. long concrete expansion anchor (Item 4B) through the center grommet. Ends of adjoining channels are overlapped 6 in. and tied together with double strand of No. 18 SWG galv steel wire near each end of overlap. As an alternate, ends of adjoining channels may be overlapped 6 in. and secured together with two self-tapping #6 framing screws, min. 7/16 in. long at the midpoint of the overlap, with one screw on each flange of the channel. Furring channels are friction fitted into clips.

**CLARKDIETRICH BUILDING SYSTEMS** — Type ClarkDietrich Sound Clip

5. **Gypsum Board\*** — 1/2 in. thick, 4 ft wide, secured to furring channels with wallboard fasteners (Item 6). Gypsum plaster not more than 1/16 in. thick may be applied to wallboard in addition to joint treatment.

**AMERICAN GYPSUM CO** — Types AG-C.

**CABOT MANUFACTURING ULC** — Type C.

**CERTAINTEED GYPSUM INC** — Type C.

**CGC INC** — Types C, IP-X2, IPC-AR.

**CERTAINTEED GYPSUM INC** — Type LGFC-C/A.

**GEORGIA-PACIFIC GYPSUM L L C** — Types 5, DAPC, TG-C.

**NATIONAL GYPSUM CO** — Types eXP-C, FSK-C, FSW-C, FSMR-C.

**PABCO BUILDING PRODUCTS L L C, DBA PABCO GYPSUM** — Type PG-C.

**PANEL REY S A** — Type PRC

**THAI GYPSUM PRODUCTS PCL** — Type C.

**THE SIAM GYPSUM INDUSTRY (SONGKHLA) CO** — Type C

**UNITED STATES GYPSUM CO** — Types C, IP-X2, IPC-AR.

**USG BORAL DRYWALL SFZ LLC** — Type C

**USG MEXICO S A DE C V** — Types C, IP-X2, IPC-AR.

5A. **Gypsum Board\*** — (As an alternate to Item 5) — 5/8 in. thick. Installed as described in Item 5.  
**NATIONAL GYPSUM CO** — Type FSMR-C.

**UNITED STATES GYPSUM CO** — Type ULIX

5B. **Gypsum Board\*** — (As an alternate to Item 5) — 5/8 in. thick. Installed as described in Item 5.  
5. Min. screw length 1-1/8 in.

**PANEL REY S A** — Type PRX2

6. **Wallboard Fasteners** — 1 in. long, self-drilling, self-tapping steel screws with bugle heads. Fasteners attached to each furring channel and spaced 8 in. OC at butt joints and 12 in. OC in the field of the board parallel with furring channels. Clearance between fasteners and edges of wallboard 3/4 in.

7. **Joint System — (Not shown)** — Paper tape embedded in cementitious compound over joints. Paper tape and exposed screw heads covered with two layers of compound. Edges of compound feathered out.

**\* Indicates such products shall bear the UL or cUL Certification Mark for jurisdictions employing the UL or cUL Certification (such as Canada), respectively.**

Last Updated on 2022-04-14