

Design/System/Construction/Assembly Usage Disclaimer

- Authorities Having Jurisdiction should be consulted in all cases as to the particular requirements covering the installation and use of UL Certified products, equipment, system, devices, and materials.
- Authorities Having Jurisdiction should be consulted before construction.
- Fire resistance assemblies and products are developed by the design submitter and have been investigated by UL for compliance with applicable requirements. The published information cannot always address every construction nuance encountered in the field.
- When field issues arise, it is recommended the first contact for assistance be the technical service staff provided by the product manufacturer noted for the design. Users of fire resistance assemblies are advised to consult the general Guide Information for each product category and each group of assemblies. The Guide Information includes specifics concerning alternate materials and alternate methods of construction.
- Only products which bear UL's Mark are considered Certified.

BXUV - Fire Resistance Ratings - ANSI/UL 263 Certified for United States

BXUV7 - Fire Resistance Ratings - CAN/ULC-S101 Certified for Canada

[See General Information for Fire-resistance Ratings - ANSI/UL 263 Certified for United States
Design Criteria and Allowable Variances](#)

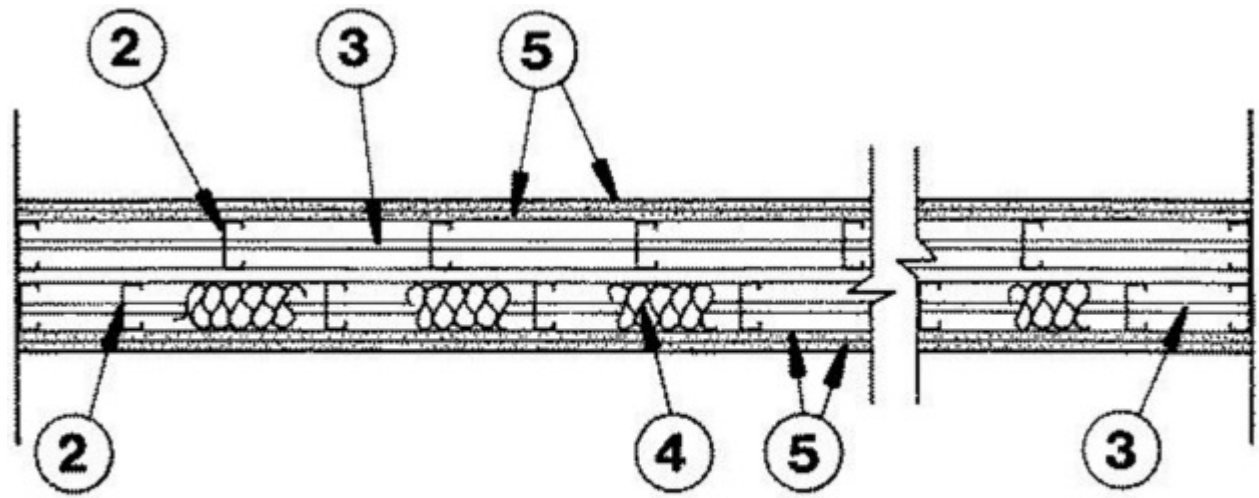
[See General Information for Fire Resistance Ratings - CAN/ULC-S101 Certified for Canada
Design Criteria and Allowable Variances](#)

Design No. **U4108**

August 2, 2023

Nonbearing Wall Rating — 1 or 2 Hr.

* Indicates such products shall bear the UL or cUL Certification Mark for jurisdictions employing the UL or cUL Certification (such as Canada), respectively.



HORIZONTAL SECTION

1. **Floor and Ceiling Runners** — For use with Item 5. Channel shaped, attached to floor and ceiling in two rows, a min 1 in. apart, with steel fasteners spaced 24 in. OC. Runners fabricated from min No. 25 MSG galv steel, 1-1/4 in. wide and 2-1/2 in. deep.

1A. **Floor and Ceiling Runners** — (Not Shown) — As an alternate to Item 1 - Channel shaped, attached to floor and ceiling in two rows, a min 1 in. apart. Runners fabricated from min No. 20 MSG galv steel, 1-1/4 in. wide and 2-1/2 in. deep.

1B. **Framing Members*** — **Floor and Ceiling Runner** — Not Shown — In lieu of Item 1 — For use with Item 2B, proprietary channel shaped runners, 1-1/4 in. wide by min. 2-1/2 in. deep fabricated from min 0.019 in. thick galv steel, attached to floor and ceiling with fasteners spaced 24 in. OC max.

PANEL REY S A – SUPRA Track 20EQ/19 mil

2. **Steel Studs** — For use with Item Items 1 and 5. Channel shaped, supplied with cutouts, friction -fitted into floor and ceiling runners and spaced a max 24 in. OC. Studs cut 1/2 in. less than assembly height and evenly staggered between the two rows of floor and ceiling runners. Studs fabricated from min No. 25 MSG galv steel, min 2-1/2 in. deep by 1-1/4 in. wide with 3/16 in. folded back return flange legs.

2A. **Steel Studs** — (Not Shown) — As an alternate to Item 2, For use with Items 1A, 5, 5A, 5B, or 5C. Channel shaped, supplied with cutouts, friction -fitted into floor and ceiling runners and spaced a max 16 in. OC. Studs cut 1/2 in. less than assembly height and staggered flush against the floor runners. Studs fabricated from min No. 20 MSG galv steel, min 2-1/2 in. deep x 1-1/4 in. wide x 3/16 in. folded back return flange legs.

2B. **Framing Members*** — **Steel Studs** — Not Shown — In lieu of Item 2 – For use with Item 1B, proprietary channel shaped steel studs, min 1-1/4 in. wide by min 2-1/2 in. deep with 1/4 in. return lips fabricated from min 0.019 in. thick galv steel, spaced 24 in. OC max. Studs cut 1/2 in. less in length than assembly height.

PANEL REY S A – SUPRA Stud 20EQ/19 mil

3. **Lateral Bracing** — The bracing shall be in accordance with the SSMA Technical Note Dated March 2000 Referencing Unsheathed Flange Bracing.

3A. **Lateral Bracing** — (Not Shown) — Right angle- shaped, supplied with notches spaced 12, 16, or 24 in. OC., friction-fitted to the cutouts in steel studs, supplied in 7/8 in. by 7/8 in. by 50 in. lengths. Lateral bracing bars fabricated from min. 20 MSG galvanized steel. The bracing shall be located a maximum of 5 ft on center in accordance with the manufacturers published literature.

CLARKDIETRICH BUILDING SYSTEMS — TradeReady Spazzer 9200 bar

4. **Batts and Blankets** — Optional — Glass fiber batts may be friction-fitted to completely fill the stud cavities on one or both rows of studs.

See **Batts and Blankets Category** (BZJZ) for names of manufacturers.

5. **Gypsum Board*** — Nom 5/8 in. thick, 4 ft. wide, gypsum panels with beveled, square or tapered edges, applied vertically. Single layer installed on each side of the steel studs for the 1-hr system, two layers installed on each side of the studs for the 2-hr system. Vertical joints centered over studs and staggered one stud cavity on opposite sides of studs. Vertical joints in adjacent layers (2-hr system) staggered one stud cavity. For the single layer system: panels attached to steel studs and floor runner with 1 in. long Type S or S-12 steel screws spaced 8 in. OC along vertical and bottom edges and 12 in. OC in the field. For the double layer system: base layer panels attached to steel studs and floor runner with 1 in. long Type S or S-12 steel screws spaced 16 in. OC, face layer panels attached to steel studs and floor runner with 1-5/8 in. long Type S or S-12 steel screws spaced 12 in. OC

When **Steel Framing Members*** (Item 7) are used: For the 1-hr system, gypsum panels attached vertically to furring channels with 1 in. long Type S-12 screws spaced 12 in. OC. Vertical joints offset min 12 in. from layer on other side of wall. For the 2-hr system, inner layer of gypsum panels attached vertically to furring channels with 1 in. Type S-12 screws spaced 16 in. OC, outer layer with 1-5/8 in. Type S-12 screws spaced 12 in. OC. Inner layer to be applied vertically. Outer layer to be applied vertically with joints offset a minimum 12 in. from inner layer joints.

AMERICAN GYPSUM CO — Types AGX-1, M-Glass, AG-C, LightRoc

6. **Joint Tape and Compound** — (Not Shown) — Vinyl or casein, dry or premixed joint compound applied in two coats to joints and screw heads of outer layers. Paper tape, nom 2 in. wide, embedded in first layer of compound over all joints of outer layer panels. Paper tape and joint compound may be omitted when gypsum panels are supplied with a square edge.

7. **Steel Framing Members*** — (Not Shown) — (Optional on one or both sides) for single or double layer systems, may not be used with Items 5A, 5B or 5C. Furring channels and Steel Framing Members as described below:

a. **Furring Channels** — Formed of No. 25 MSG galv steel. 2-9/16 in. or 2-23/32 in. wide by 7/8 in. deep, spaced max. 24 in. OC perpendicular to studs. Channels secured to studs as described in Item b. Gypsum board attached to furring channels as described in Item 5.

b. **Steel Framing Members*** — Used to attach furring channels (Item 7a) to studs (Item 2). Clips spaced max. 48 in. OC., and secured to studs with No. 8 x 1-1/2 in. minimum self-drilling, S-12 steel screw through the center grommet. Furring channels are friction fitted into clips. RSIC-1 clip for use with 2-9/16 in. wide furring channels. RSIC-1 (2.75) clip for use with 2-23/32 in. wide furring channels.

PAC INTERNATIONAL L L C — Types RSIC-1, RSIC-1 (2.75).

7A. **Steel Framing Members*** — (Optional, Not Shown) — Furring channels and Steel Framing Members as described below:

a. **Furring Channels** — Formed of No. 25 MSG galv steel. Spaced 24 in. OC perpendicular to studs. Channels secured to studs as described in Item b. Ends of adjoining channels overlapped 6 in. and tied together with double strand of No. 18 AWG galvanized steel wire. Gypsum board attached to furring channels as described in Item 5.

b. **Steel Framing Members*** — Used to attach furring channels (Item 7Aa) to studs. Clips spaced 48 in. OC., and secured to studs with 2 in. coarse drywall screw with 1 in. diam washer through the center hole. Furring channels are friction fitted into clips.

STUDCO BUILDING SYSTEMS — RESILMOUNT Sound Isolation Clips - Type A237R

7B. **Steel Framing Members*** — (Optional, Not Shown) — Furring channels and Steel Framing Members as described below:

a. **Furring Channels** — Formed of No. 25 MSG galv steel, spaced 24 in. OC, and perpendicular to studs. Channels secured to studs as described in Item b. Ends of adjoining channels overlapped 6 in. and secured in place with a double strand of No. 18 AWG twisted steel wire. Gypsum board attached to furring channels as described in Item 5.

b. **Steel Framing Members*** — Used to attach furring channels (Item 7Ba) to studs. Clips spaced 48 in. OC., and secured to studs with No. 8 x 2-1/2 in. coarse drywall screw through the center hole. Furring channels are friction fitted into clips.

REGUPOL AMERICA — Type SonusClip

7C. **Steel Framing Members*** — (Optional, Not Shown) — Resilient channels and Steel Framing Members as described below:

a. **Resilient Channels** — Formed of No. 25 MSG galv steel, spaced 24 in. OC, and perpendicular to studs. Channels secured to studs as described in Item b. Ends of adjoining channels overlapped 6 in. and secured in place with two No. 8 15 x 1/2 in. Philips Modified Truss screws spaced 2-1/2 in. from the center of the overlap. Gypsum board attached to resilient channels as described in Item 5.

b. **Steel Framing Members*** — Used to attach resilient channels (Item 7Ca) to studs. Clips spaced 48 in. OC., and secured to studs with No. 8 x 2-1/2 in. coarse drywall screw through the center hole. Resilient channels are secured to clips with one No. 10 x 1/2 in. pan-head self-drilling screw.

KEENE BUILDING PRODUCTS CO INC — Type RC+ Assurance Clip

8. **Wall and Partition Facings and Accessories*** — (Optional, Not Shown) — For use with Item 5 only — Nominal 1/2 in. thick, 4 ft wide panels, for optional use as an additional layer on one or both sides of the assembly. Panels attached in accordance with manufacturer's recommendations. When the QR-500 or QR-510 panel is installed between the steel framing and the UL Classified gypsum board, the required UL Classified gypsum board layer(s) is/are to be installed as indicated as to fastener type and spacing, except that the required fastener length shall be increased by a minimum of 1/2 in. Not evaluated or intended as a substitute for the required layer(s) of UL Classified Gypsum Board.

PABCO BUILDING PRODUCTS L L C, DBA PABCO GYPSUM — Type QuietRock QR-500 and QR-510

*** Indicates such products shall bear the UL or cUL Certification Mark for jurisdictions employing the UL or cUL Certification (such as Canada), respectively.**

Last Updated on 2023-08-02

The appearance of a company's name or product in this database does not in itself assure that products so identified have been manufactured under UL Solutions' Follow - Up Service. Only those products bearing the UL Mark should be considered to be Certified and covered under UL Solutions' Follow - Up Service. Always look for the Mark on the product.

UL Solutions permits the reproduction of the material contained in Product iQ subject to the following conditions: 1. The Guide Information, Assemblies, Constructions, Designs, Systems, and/or Certifications (files) must be presented in their entirety and in a non-misleading manner, without any manipulation of the data (or drawings). 2. The statement "Reprinted from Product iQ with permission from UL Solutions" must appear adjacent to the extracted material. In addition, the reprinted material must include a copyright notice in the following format: "©2023 UL LLC."