

## Design No. M552

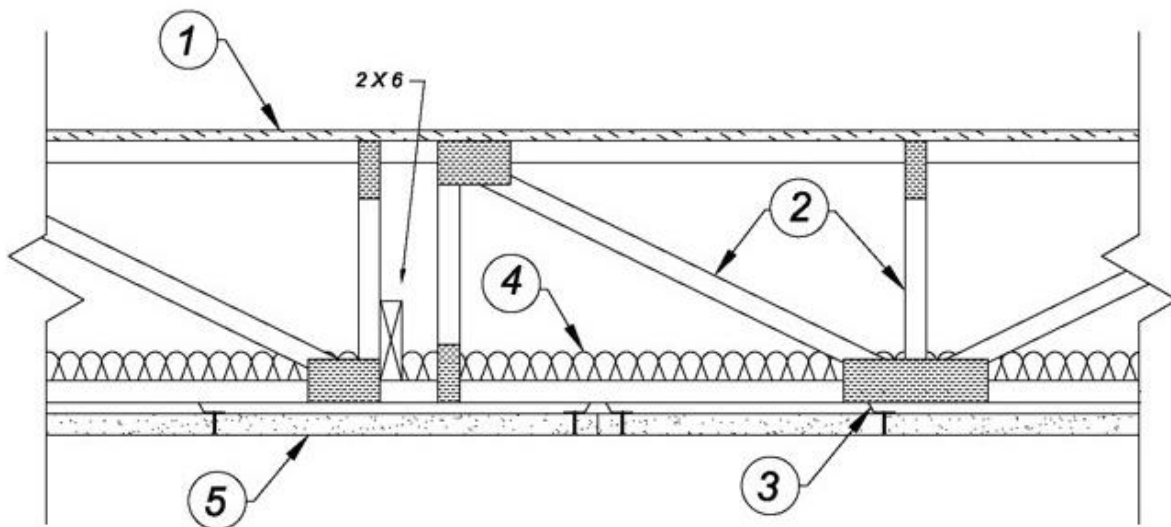
August 19, 2020

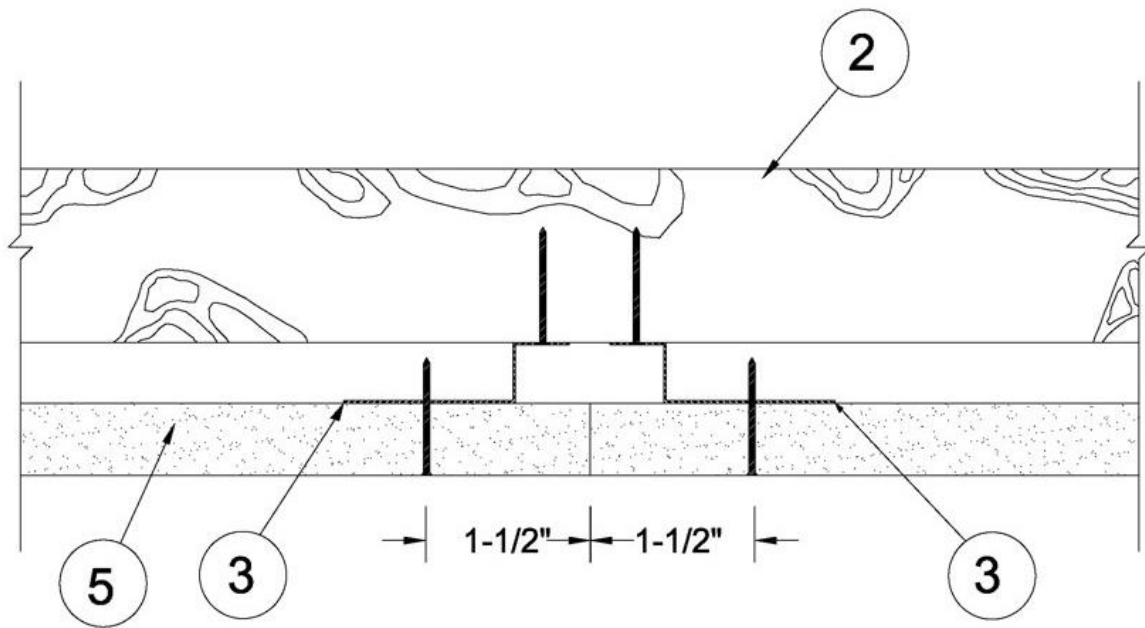
*Unrestrained Assembly Rating - 1 Hr.*

*Finish Rating - 66 Min.*

*This design was evaluated using a load design method other than the Limit States Design Method (e.g., Working Stress Design Method). For jurisdictions employing the Limit States Design Method, such as Canada, a load restriction factor shall be used — See Guide [BXUV](#) or [BXUV7](#)*

*\* Indicates such products shall bear the UL or cUL Certification Mark for jurisdictions employing the UL or cUL Certification (such as Canada), respectively.*





1. **Subflooring** — Nom 23/32 in. thick wood structural panels installed perpendicular to trusses with end joints staggered 48 in. Plywood or panels secured to trusses with construction adhesive and No. 6d ringed shank nails, spaced 12 in. OC along each truss. Staples having equal or greater withdrawal and lateral resistance strength may be substituted for the 6d nails.

2. **Trusses** — Parallel chord trusses, spaced a max of 24 in. OC, fabricated from nom 2 by 4 lumber, with lumber oriented vertically or horizontally. Min truss depth is 12 in. Truss members secured together with min 0.0356 in. thick galv steel plates.

3. **Resilient Channels\*** — 1/2 in. deep, formed of 22 mil thick galv steel, spaced 16 in. OC perpendicular to trusses. Channel splices overlapped 6 in. between trusses. Channels secured to each truss with 1-5/8" type W screw. Two channels, spaced 3 in. OC, to frame the butt joint as shown in the above illustration.

3A. **Steel Framing Members\*** — (Optional, Not Shown) — Used as an alternate method to attach resilient channels to structural members. A resilient sound isolation accessory shall be used at each attachment point of the resilient channels and spaced max 24 in. O.C. Channel ends butted and centered under the structural members and attached with one accessory at each end. Additional accessories used to hold resilient channels that support the ceiling system end joints. The accessory envelops the mounting edge of the resilient channel. The accessory and resilient channel are fastened to the structural members with the screws supplied with the accessory and per the accessory manufacturer's installation instructions. Ceiling System end joints staggered minimum 24 in. OC when used.

**PAC INTERNATIONAL L L C** — Type RC-1 Boost

4. **Batts and Blankets\*** — Mineral wool or glass fiber insulation, nom. 3-1/2 in. thick, R-13, insulation draped over the resilient channels, bearing the UL Classification Marking for Surface Burning Characteristics.

5. **Wall and Partition Facings and Accessories\*** — Nominal 1-3/8 in. thick, 4 ft wide panels, installed with long dimension perpendicular to resilient channels. Fastened with #6 x 2 in. long drywall screws spaced 8 in. OC along the butt end joints and in the field. End joints secured to resilient channels as shown in the above illustration. End joints do not need to be staggered.

**PABCO BUILDING PRODUCTS L L C, DBA PABCO GYPSUM** — Type QuietRock 545

*\* Indicates such products shall bear the UL or cUL Certification Mark for jurisdictions employing the UL or cUL Certification (such as Canada), respectively.*

[Last Updated](#) on 2020-08-19