

Design No. **L601**

December 6, 2022

Unrestrained Assembly Rating — 1 Hr

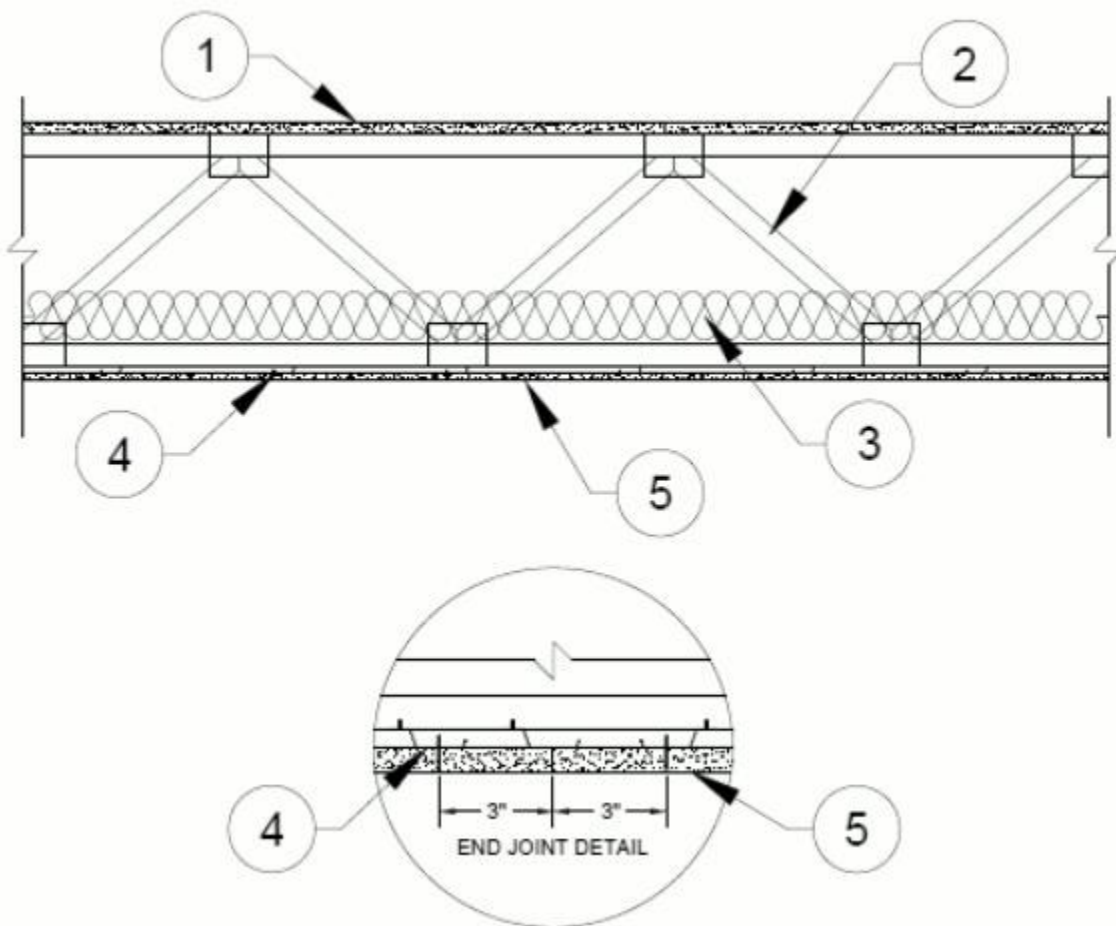
Finish Rating — Trusses Without Damper — 14 Min

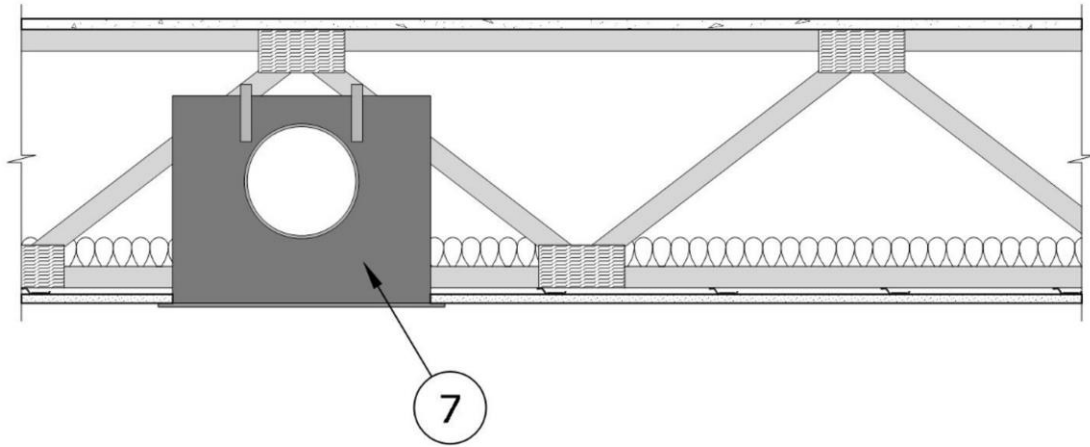
Finish Rating — Trusses With Damper — 22 Min

Finish Rating - 2 by 10 Joists Without Damper — Not Determined.

Restricted Load Condition — 90% maximum allowable truss load. 88% maximum truss load when depth 18 in. or more.

*** Indicates such products shall bear the UL or cUL Certification Mark for jurisdictions employing the UL or cUL Certification (such as Canada), respectively.**





1. **Flooring System — Building Units*** — Nom 3/4 in. thick. Long dimension of panels to be perpendicular to trusses with end joints staggered a min of 4 ft. and joints centered over the trusses. Panels secured to wood trusses with 2 in. x 0.113 in. Ring Shank nails spaced a max of 12 in. OC in the field and on the perimeter. Nails located 2 in. from panel corners, and 1/2 in. from panel edges.

HUBER ENGINEERED WOODS L L C— Type 3/4 in. Shiplap Exacor™ Board

1A. **Flooring System — Building Units*** — For used when damper is installed. Nom 3/4 in. thick. Long dimension of panels to be perpendicular to trusses with end joints staggered a min of 4 ft. and joints centered over the trusses. Panels secured to wood trusses with 2 in. x 0.113 in. Ring Shank nails spaced a max of 12 in. OC in the field and 6 in. OC on the perimeter. Nails located 2 in. from panel corners, and 1/2 in. from panel edges.

HUBER ENGINEERED WOODS L L C— Type 3/4 in. Tongue and Groove Exacor™ Board

2. **Trusses** — Parallel chord trusses, spaced a max of 16 in. OC, fabricated from nom 2 by 4 lumber, with lumber oriented vertically or horizontally. Min truss depth is 16 in. when there is no damper installed and 18 in. when a damper is installed. Truss members secured together with min 20 gauge galv. steel plates.

2A. **Wood Joists** — As an alternate to Item 2- not to be used with damper Item 7 or gypsum board Item 5A - Min 2 by 10, spaced 16 in. OC and effectively fireblocked in accordance with local codes. Cross bridging min 1 by 3 or min 2 by 10 solid blocking required.

3. **Batts and Blankets*** — 3-1/2 in. thick, min 0.62 pcf glass fiber batt insulation draped over the resilient channels. Any glass fiber batt insulation bearing the UL Classification Marking for Surface Burning Characteristics or fire Resistance may be used. See **Batts and Blankets* (BKNV or BZJZ)** category in the Fire Resistance Directory for names of manufacturers.

4. **Resilient Channels** — Formed from min 25 MSG galv steel, 1/2 in. deep, spaced max 12 in. OC, installed perpendicular to trusses. Channels secured to each truss with one #6 1-1/4 in. long coarse thread drywall screws. Channels overlapped 4 in. at splices under the trusses. Additional channels installed 3 in. from board end joints and secured to adjacent trusses. When damper is installed screw length increased to 1-5/8 in.

4A. **Steel Framing Members*** — (Optional, Not Shown) — Used as an alternate method to attach resilient channels to structural members when a damper is not used. A resilient sound isolation accessory shall be used at each attachment point of the resilient channels and spaced max 24 in. O.C. Channel ends butted and centered under the structural members and attached with one accessory at each end. Additional accessories used to hold resilient channels that support the ceiling system end joints. The accessory envelops the mounting edge of the resilient channel. The accessory and resilient channel are fastened to the structural members with the screws supplied with the accessory and per the accessory manufacturer's installation instructions.

PAC INTERNATIONAL L L C — Type RC-1 Boost

4B. **Resilient Channels** — For Use With Item 5A. Formed from min 25 MSG galv steel installed perpendicular to trusses and spaced 16 in. OC. Channels secured to each truss with 1-5/8 in. long Type S bugle head steel screws. Channels overlapped 4 in. at splices. Two channels, spaced 6 in. OC, oriented opposite each gypsum panel end joint. Additional channels shall extend min 6 in. beyond each side edge of panel. Insulation, Item 3, is applied over the resilient channel/gypsum panel ceiling membrane.

5. **Gypsum Board*** — One layer of nom 5/8 in. thick, 4 ft wide gypsum board, installed with long dimension perpendicular to resilient channels with end joints staggered a min of 2 ft. Side joints of board shall be a minimum of 7 in. from edge of trusses (Item 2). Gypsum board secured with 1 in. long No. 6 Type S bugle head steel screws spaced 8 in. OC when damper is not installed and located a min of 1 in. from side joints and 3 in. from end joints. When damper is installed screw spacing is 6 in. OC and located a min of 1 in. from side joints and 3 in. from end joints.

AMERICAN GYPSUM CO — Type AG-C

CERTAINTEED GYPSUM INC — Type C

CGC INC — Types C, IP-X2, IPC-AR

CERTAINTEED GYPSUM INC — Type LGFC-C/A

GEORGIA-PACIFIC GYPSUM L L C — Types 5, DAPC, TG-C

NATIONAL GYPSUM CO — Types eXP-C, FSK-C, FSW-C, FSW-G

PABCO BUILDING PRODUCTS L L C, DBA PABCO GYPSUM — Type C

THAI GYPSUM PRODUCTS PCL — Type C

UNITED STATES GYPSUM CO — Types C, IP-X2, IPC-AR

USG BORAL DRYWALL SFZ LLC — Type C

USG MEXICO S A DE C V — Types C, IP-X2, IPC-AR

5A. **Gypsum Board*** — For use with Item 4B. Nom 5/8 in. thick, 48 in. wide gypsum panels installed with long dimension perpendicular to resilient channels. Gypsum panels secured with 1 in. long Type S bugle head steel screws spaced 8 in. OC and located a min of 1/2 in. from side joints and 3 in. from the end joints. Finish Rating with this ceiling system is 20 min.

CGC INC — Type ULIX

UNITED STATES GYPSUM CO — Type ULIX

6. **Finishing System** — (Not Shown - For Use with Item 5 and 5A) — Vinyl, dry or premixed joint compound, applied in two coats to joints and screw-heads. Nom 2 in. wide paper tape embedded in first layer of compound over all joints. As an alternate, nom 3/32 in. thick veneer plaster may be applied to the entire surface of gypsum board.

7. **Ceiling Damper*** — For use with min 18 in. deep trusses. Max nom area shall be 324 sq in. with the length not to exceed 24 in. and the width not to exceed 20 in. Max height of damper shall be 14 in. Aggregate damper openings shall not exceed 162 sq in. per 100 sq ft of ceiling area. Damper installed in accordance with the manufacturers installation instructions provided with the damper. A steel grille shall also be installed in accordance with installation instructions.

POTTORFF — Model CFD-521

*** Indicates such products shall bear the UL or cUL Certification Mark for jurisdictions employing the UL or cUL Certification (such as Canada), respectively.**

Last Updated on 2022-12-06