

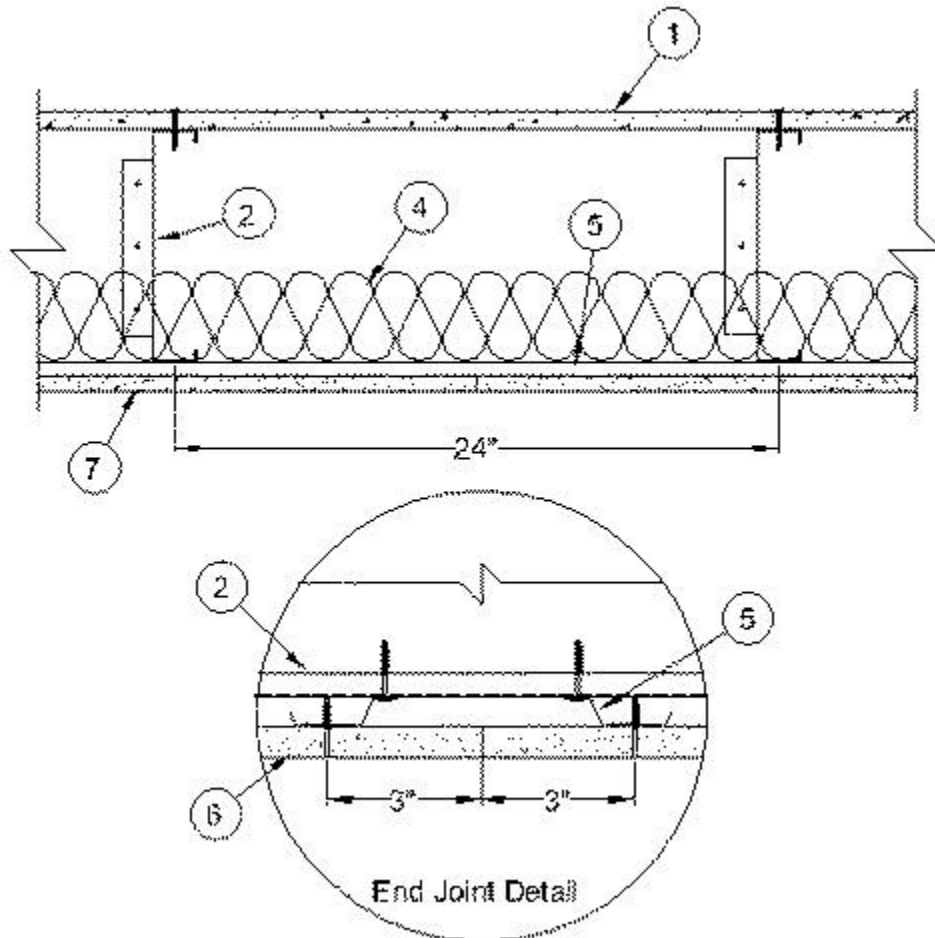
Design No. L564

February 7, 2022

Unrestrained Assembly Rating - 1 Hr

This design was evaluated using a load design method other than the Limit States Design Method (e.g., Working Stress Design Method). For jurisdictions employing the Limit States Design Method, such as Canada, a load restriction factor shall be used — See Guide [BXUV](#) or [BXUV7](#)

* Indicates such products shall bear the UL or cUL Certification Mark for jurisdictions employing the UL or cUL Certification (such as Canada), respectively.



1. **Structural Cement-Fiber Units*** — Nominal 19 mm (3/4 in.) thick tongue and groove structural cement-fiber units. Long dimension of panels to be perpendicular to joists with end joints staggered. Panels fastened to the steel joists with #10 self drilling, self tapping cement board screws 1-3/4 in. long. Screws shall be spaced 6 in. OC along the perimeter of each sheet and 12 in. OC in the field of each sheet. Screws shall be spaced 1/2 in. from end joints and 1 in. from side joints.

ECTEK INTERNATIONAL INC — Armoroc Panel

OR

Building Units* — Nom 3/4 in. thick, tongue and grooved boards. Long dimension of boards to be perpendicular to trusses with end joints staggered a min of 4 ft. and centered over the trusses. Boards secured to trusses with 1-1/4 in. long self-drilling, self-tapping screws spaced a max of 12 in. OC in the field with screws located 1 in. from long edge, and max 8 in. OC along the end joints with screws located 1/2 in. from end joint.

ECTEK INTERNATIONAL INC — Type MegaBoard

1A. Flooring Topping Systems (Not Shown) — As an option, one of the following floor topping systems may be provided.

System No. 1

Vapor Barrier - (Optional) — Nom 0.030 in. thick commercial asphalt saturated felt.

Floor Topping Mixture* — Min 3/4 in. thickness of floor-topping mixture having a minimum compressive strength of 1500 psi. Refer to manufacturer's instructions accompanying the material for specific mix design.

MAXXON CORP — Type Maxxon Standard and Maxxon High Strength

Floor Mat Material* (Optional) - Floor mat material loose laid over the flooring system. Refer to manufacturer's instructions regarding the minimum thickness of floor topping over each floor mat material.

MAXXON CORP — Type Encapsulated Sound Mat.

Floor Mat Reinforcement — (Optional) Refer to manufacturer's instructions regarding minimum thickness of floor topping for use with floor mat reinforcement.

Metal Lath — (Optional) 3/8 in. expanded galvanized steel diamond mesh, 3.4 lbs/sq yd loose laid over the floor mat material.

Fiber Glass Reinforcement — (Optional) - 0.015 in. thick PVC coated non-woven fiberglass mesh, 0.368 lbs./sq. yd loose laid over the floor mat material.

System No. 2

Deleted

System No. 3

Vapor Barrier - (Optional) - Nom 0.010 in. thick commercial asphalt saturated felt.

Finish Flooring - Floor Topping Mixture* — Min 3/4 in. thickness of floor topping mixture having a minimum compressive strength of 1800 psi. Refer to manufacturer's instructions accompanying the material for specific mix design.

UNITED STATES GYPSUM CO — Types LRK, HSLRK, CSD

USG MEXICO S A DE C V — Types LRK, HSLRK, CSD

Floor Mat Materials* — (Optional) - Floor mat material loose laid over the subfloor. Refer to manufacturer's instructions regarding the minimum thickness of floor topping over each floor mat material.

UNITED STATES GYPSUM CO — Types SAM, LEVELROCK® Brand Sound Reduction Board, LEVELROCK® Brand Floor Underlayment SRM-25

System No. 4

Floor Mat Materials* — (Optional) — Floor mat material nom 1/8 in. (3mm) thick loose laid over the subfloor. Floor topping thickness shall be a min of 3/4 in. (19mm)

HACKER INDUSTRIES INC — FIRM-FILL SCM 125

Alternate Floor Mat Materials - (Optional) — Floor mat material nom 1/4 in. (6mm) thick loose laid over the subfloor. Floor topping thickness shall be a min of 1 in. (25mm)

HACKER INDUSTRIES INC — Type FIRM-FILL SCM 250

Alternate Floor Mat Materials - (Optional) — Floor mat material nom 3/8 in. (10mm) thick loose laid over the subfloor. Floor topping thickness shall be a min of 1-1/4 in. (32mm)

HACKER INDUSTRIES INC — FIRM-FILL SCM 400

Alternate Floor Mat Materials - (Optional) — Floor mat material nom 3/4 in. (19mm) thick loose laid over the subfloor. Floor topping thickness shall be a min of 1-1/2 in. (38mm)

HACKER INDUSTRIES INC — Type FIRM-FILL SCM 750

Alternate Floor Mat Materials - (Optional) — Floor mat material nom 5/64 in. (2 mm) thick adhered to subfloor with Hacker Floor Primer. Primer to be applied to the surface of the mat prior to the placement of floor-topping mixture. Floor topping thickness a min 1 in. over the floor mat.

HACKER INDUSTRIES INC — Type Hacker Sound-Mat.(HSM1.02)

Alternate Floor Mat Materials - (Optional) — Floor mat material nom 1/4 in. (6mm) thick adhered to subfloor with Hacker Floor Primer. Primer to be applied to the surface of the mat prior to the placement of a min 1-1/4 in. (32mm) of floor-topping mixture.

HACKER INDUSTRIES INC — Type Hacker Sound-Mat II. (HSM2.06)

Metal Lath (Optional) — For use with 3/8 in. (10 mm) or greater floor mat materials, 3/8 in. expanded steel diamond mesh, 3.4 lbs/sq yd placed over the floor mat material. Hacker Floor Primer to be applied prior to the placement of the metal lath. When metal lath is used, floor topping thickness a nom 1-1/4 in. over the floor mat.

Finish Flooring - Floor Topping Mixture* — Min 3/4 in. thickness of floor topping mixture having a min compressive strength of 1100 psi. Mixture shall consist of 6.8 gal of water to 80 lbs of floor topping mixture to 1.9 cu ft of sand.

HACKER INDUSTRIES INC — Firm-Fill Gypsum Concrete, Firm-Fill 2010, Firm-Fill 3310, Firm-Fill 4010, Firm-Fill High Strength, Gyp-Span Radiant

System No. 5

Vapor Barrier — (Optional) — Commercial asphalt saturated felt, 0.030 in. thick.

Vapor Barrier — (Optional) — Nom 0.010 in. thick commercial rosin-sized building paper.

Finish Flooring* — Min 3/4 in. thickness of any Floor Topping Mixture bearing the UL Classification Marking as to Fire Resistance. See Floor- and Roof-Topping Mixtures (CCOX) category for names of Classified Companies. Refer to the manufacturer's instructions accompanying the material and/or contact the manufacturer's technical support for specific mix design and minimum thickness recommended for use with eligible floor mat(s).

Floor Mat Materials* — (Optional) — Nom. 1/4 in. thick loose laid over the subfloor. Floor topping thickness shall be a minimum of 3/4 in.

KEENE BUILDING PRODUCTS CO INC — Types Quiet Qurl 55/025 and Quiet Qurl 55/025 N

Alternate Floor Mat Materials* — (Optional) — Floor mat material Nom. 3/8 in. thick loose laid over the subfloor. Floor topping thickness shall be a minimum of 1 in.

KEENE BUILDING PRODUCTS CO INC — Types Quiet Qurl 60/040 and Quiet Qurl 60/040 N

Alternate Floor Mat Materials* — (Optional) — Floor mat material Nom. 3/4 in. thick loose laid over the subfloor. Floor topping thickness shall be a minimum of 1-1/2 in.

KEENE BUILDING PRODUCTS CO INC — Types Quiet Qurl 65/075, Quiet Qurl 65/075 N

Alternate Floor Mat Materials* — (Optional) — Floor mat material Nom. 1/8 in. thick loose laid over the subfloor. Floor topping thickness shall be a minimum of 3/4 in.

KEENE BUILDING PRODUCTS CO INC — Types Quiet Qurl 52/013 and Quiet Qurl 52/013 N

Alternate Floor Mat Materials* — (Optional) — Floor mat material Nom. 1/4 in. entangled net core with a compressible fabric attached to the bottom loose laid over the subfloor. Floor topping thickness shall be a minimum of 1 in.

KEENE BUILDING PRODUCTS CO INC — Types Quiet Qurl 55/025 MT and Quiet Qurl 55/025 N MT

System No. 6

Vapor Barrier — (Optional) — Nom 0.030 in. thick commercial asphalt saturated felt.

Finish Flooring — Floor Topping Mixture* — Min 3/4 in. thickness of floor topping mixture, having a min compressive strength of 1000 psi. Refer to manufacturer's instructions accompanying the material for specific mix design.

DEPENDABLE LLC — Types GSL M3.4, GSL K2.6 and GSL RH

Floor Mat Materials* — (Optional) — Nom. 1/4 in. thick loose laid over the subfloor. Floor topping thickness shall be a minimum of 3/4 in.

KEENE BUILDING PRODUCTS CO INC — Types Quiet Qurl 55/025 and Quiet Qurl 55/025 N

Alternate Floor Mat Materials* — (Optional) — Floor mat material Nom. 3/8 in. thick loose laid over the subfloor. Floor topping thickness shall be a minimum of 1 in.

KEENE BUILDING PRODUCTS CO INC — Types Quiet Qurl 60/040 and Quiet Qurl 60/040 N

Alternate Floor Mat Materials* — (Optional) — Floor mat material Nom. 3/4 in. thick loose laid over the subfloor. Floor topping thickness shall be a minimum of 1-1/2 in.

KEENE BUILDING PRODUCTS CO INC — Types Quiet Qurl 65/075, Quiet Qurl 65/075 N

Alternate Floor Mat Materials* — (Optional) — Floor mat material Nom. 1/8 in. thick loose laid over the subfloor. Floor topping thickness shall be a minimum of 3/4 in.

KEENE BUILDING PRODUCTS CO INC — Types Quiet Qurl 52/013 and Quiet Qurl 52/013 N

Alternate Floor Mat Materials* — (Optional) — Floor mat material Nom. 1/4 in. entangled net core with a compressible fabric attached to the bottom loose laid over the subfloor. Floor topping thickness shall be a minimum of 1 in.

KEENE BUILDING PRODUCTS CO INC — Types Quiet Qurl 55/025 MT and Quiet Qurl 55/025 N MT

System No. 7

Finish Flooring - Floor Topping Mixture* — Min 1 in. thickness of floor topping mixture having a min compressive strength of 4500 psi. Refer to manufacturer's instructions accompanying the material for specific mix design.

SIKA DEUTSCHLAND GMBH — Type SCHONOX AP Rapid Plus

System No. 8

Vapor Barrier — (Optional) - Commercial asphalt saturated felt, 0.030 in. thick.

Finish Flooring - Floor Topping Mixture* — Min 3/4 in. thickness of any Floor Topping Mixture bearing the UL Classification Marking as to Fire Resistance. See Floor- and Roof-Topping Mixtures (CCOX) category for names of Classified Companies. Refer to the manufacturer's instructions accompanying the material and/or contact the manufacturer's technical support for specific mix design and minimum thickness recommended for use with eligible floor mat(s).

Floor Mat Materials* — (Optional, Not Shown) - Floor mat material loose laid over the subfloor. Refer to manufacturer's instructions regarding the minimum thickness of floor topping over each floor mat material.

LOW & BONAR INC — EnkaSonic® by Colbond a member of the Low & Bonar group Types 125, 250, 250 Plus, 400, 400 Plus, 750 and 750 Plus.

Floor Mat Reinforcement — (Optional) - Refer to manufacturer's instructions regarding minimum thickness of floor topping for use with floor mat reinforcement.

Metal Lath — (Optional) — Expanded steel diamond mesh, 2.5 lb / sq yd loose laid over floor mat material.

Fiberglass Mesh Reinforcement — (Optional) — Coated non-woven glass fiber mesh grid loose laid over floor mat material.

2. Structural Steel Members* — The proprietary joists are channel-shaped, min 9-1/4 in. (235 mm) deep. Joists are fabricated from min No. 16 MSG galv steel. Joists spaced max 24 in. (610 mm) OC. Joists attached to joist rim with three min 3/4 in. (19 mm) long No. 10 x 16 self-drilling steel TEK screws through tab to the outside of the web. At joist rim splices bearing on supports, joists rims are connected using an overlapping section of a 12 in. (305 mm) long splice plate (a joist piece), with four min 3/4 in. (19 mm) long No. 10 x 16 self-drilling steel TEK screws to each rim piece.

CLARKDIETRICH BUILDING SYSTEMS — Types TDJ24, TDW24, TDJ48, TDW48 Floor Joists, TD Rim Joist

3. Joist Bridging - (Not Shown) — Installed at the center of the joist span immediately after joists are erected and before construction loads are applied. The bridging (2-1/2 TDSB18) consists of No. 18 MSG galv steel channels, 2-1/2 in. (64 mm) wide by 1-1/4 in. (32 mm) deep by 21-3/4 in. (552 mm) long with 2-1/8 in. (54 mm) long web extensions at each end for screw-attachment to the bottom flange of the steel joists with a min 3/4 in. (19 mm) long No. 10 x 16 self-drilling steel TEK screw. Solid bridging consisting of cut - to-length joist sections placed between the outermost joists and between the centermost joists with a max spacing of 8 ft (2.4 m) OC. Solid blocking is screw-attached at joist web using a No. 16 MSG, min 50 ksi steel support clip (EasyClip S-Series) with three min 3/4 in. long No. 10 x 16 self-drilling steel TEK screws per leg on the outside of the joist web, and with a No. 16 MSG, min 50 ksi steel support clip (EasyClip E-Series) with three min 3/4 in. long No. 10 x 16 self-drilling steel TEK screws per leg on the inside of the joist web. Alternatively, blocking may consist of min 925JB24 prefabricated joist blocking attached with two No. 10-16 TEK screws at each connection angle.

4. Batts and Blankets* — Min 3-5/8 in. (92 mm) thickness of mineral wool or glass fiber insulation friction-fit between structural steel members, and supported by the resilient channels (Item 5). Any mineral wool or glass fiber insulation bearing the UL Classification Marking for Surface Burning Characteristics having a flame spread index of 25 or less and a smoke developed index of 50 or less may be used.

See **Batts and Blankets** (BKNV) category in the Building Materials Directory for names of manufacturers.

5. Resilient Channels — Resilient channels, formed of No. 25 MSG galv steel, 1/2 in. (13 mm) deep, spaced max 12 in. (305 mm) OC perpendicular to joists. Channel splices located beneath trusses and overlapped 4 in. (102 mm). Channels secured to each joist with one 1/2 in. (13 mm) long Type S-12 low profile steel screw. Two channels, spaced 6 in. (152 mm) OC, oriented opposite each gypsum board end joint as shown in end joint detail. Additional channels shall extend min 6 in. beyond each side edge of board.

5A. Steel Framing Members* - (Optional, Not Shown) — When it is desired to drop the ceiling below the bottom plane of the structural steel members, steel framing members may be used in

addition to the resilient channels (Item 5) which must be retained to support the mineral wool or glass fiber insulation. Nom 12 ft (3.66 m) long main runners installed perpendicular to structural steel members and spaced 48 in. (1.22 m) OC. Main runners suspended from structural steel members with No. 12 SWG galv steel hanger wires reliably secured to the bottom flange of the structural steel members with screw-attached steel clips and spaced max 48 in. (1.22 m) OC. Nom 4 ft (1.22 m) long cross tees with 1-1/2 in. (38 mm) wide face installed perpendicular to main runners and spaced max 16 in. (406 mm) OC. Cross tees located 4 in. (102 mm) from each side of butted gypsum board end joints. Ends of steel framing members at walls to be supported by galv or painted steel angles or channels with min 1 in. (25 mm) horizontal leg.

ARMSTRONG WORLD INDUSTRIES INC — Type DFR-8000

5B. Alternate Steel Framing Members* — (Optional, Not Shown) — As an alternate to Item 5A. When it is desired to drop the ceiling below the bottom plane of the structural steel members, alternate steel framing members may be used in addition to the resilient channels (Item 5) which must be retained to support the mineral wool or glass fiber insulation. For use in corridors or rooms having a maximum width dimension of 14 ft (4.25 m). Steel framing members consist of grid runners, locking angle wall molding and hanger bars. Locking angle wall molding secured to walls with steel nails or screws spaced max 16 in. (610 mm) OC. Slots of locking angle wall molding parallel with hanger bars to be aligned with tabbed cutouts in bottom edge of hanger bars. Hanger bars spaced max 50 in. (1.22 m) OC and suspended with No. 12 AWG steel hanger wires spaced max 48 in. (1.22 m) OC. Adjoining lengths of hanger bar to overlap 12 in. (305 mm) and to be secured together and suspended by a shared hanger wire. A min clearance of 1/4 in. (6 mm) shall be maintained between the ends of the hanger bars and the walls. Grid runners cut-to-length and installed perpendicular to hanger bars and spaced max 16 in. (406 mm) OC with additional grid runners installed 8 in. (203 mm) OC at gypsum board end joints. Grid runners parallel with walls to be spaced max 16 in. (406 mm) from wall. Ends of grid runners to rest on and engage slots of locking angle wall molding with a clearance of 3/8 in. (10 mm) to 1/2 in. (13 mm) maintained between each end of the grid runner and the wall. Bulb of grid runner to be captured by tabbed cutouts in bottom edge of hanger bars.

ARMSTRONG WORLD INDUSTRIES INC — Type DFR-8000-SS

5C. Alternate Steel Framing Members* — (Not Shown) — As an alternate to Items 5, 5A and 5B. Main runners nom 12 ft (3.66 m) long, spaced 72 in. (1.83 m) OC. Cross tees, nom 6 ft (1.83 m) long, installed perpendicular to main runners and spaced 16 in. (406 mm) OC. Additional 6 ft long cross tees required at each gypsum board end joint with butted gypsum board end joints centered between cross tees spaced 8 in. (203 mm) OC. The main runners and cross tees may be riveted or screw-attached to the wall angle or channel to facilitate the ceiling installation.

ARMSTRONG WORLD INDUSTRIES INC — Type DFR-8000

5D. Steel Framing Members* — (Optional, Not Shown) — As an alternate to Item 5.

a. **Furring Channels** — Formed of No. 25 MSG galv steel, nominal 2-1/2 in. wide by 7/8 in. deep, spaced 12 in. OC, perpendicular to joists. Channels secured to Cold Rolled Channels at every intersection with a 3/4 in. TEK screw through each furring channel leg. Ends of adjoining channels overlapped 12 in. and fastened together with two double strand No. 18 SWG galv steel wire ties, one at each end of overlap, or with two 3/4 in. TEK screws in each leg of the overlap section. Two furring channels used at end joints of gypsum board (Item 6), each extending a min of 6 in. beyond both side edges of the board.

b. **Cold Rolled Channels** — 1-1/2 in. by 1/2 in., formed from No. 16 ga. galv steel, positioned vertically and parallel to joists, friction-fitted into the channel caddy on the Steel Framing Members (Item 5Dc) and secured with two 3/4 in. TEK screws. Adjoining lengths of cold rolled channels lapped min. 12 in. and secured along bottom legs with four 3/4 in. TEK screws and wire-tied together with two double strand 18 SWG galv steel wire ties, one at each end of overlap.

c. **Steel Framing Members*** — Spaced 48 in. OC. max along joist, and secured to the joist on alternating joists with two, No. 10-16 TEK screws through mounting holes on the hanger bracket.

PAC INTERNATIONAL L L C — Type RSIC-SI-CRC EZ Clip

5E. **Steel Framing Members*** — (Optional, Not Shown) — As an alternate to Item 5.

a. **Furring Channels** — Formed of No. 25 MSG galv steel, nominal 2-1/2 in. wide by 7/8 in. deep, spaced 12 in. OC perpendicular to joists and friction fit into Steel Framing Members (Item 5Eb). Ends of adjoining channels overlapped 6 in. and tied together with double strand of No. 18 SWG galv steel wire near each end of overlap or with two TEK screws along each leg of the 6 in. overlap. Two furring channels used at end joints of gypsum board (Item 6). Butt joint channels held in place by strong back channels placed upside down, on top of, and running perpendicular to primary furring channels, extending 6 in. longer than length of gypsum side joint. Strong back channels spaced maximum 48 in. OC. Strong back channels secured to every intersection of primary furring channels with four 7/16 in. pan head screws, two along each of the legs at intersections. Butt joint channels run perpendicular to strong back channels and shall be minimum 6 in. longer than length of joint, secured to strong back channels with 7/16 in. pan head screws, two along each of the legs at intersection with strong back channels.

b. **Steel Framing Members*** — Used to attach furring channels (Item 5Ea) to joists. Clips spaced 48 in. OC and secured along joist webs at each furring channel intersection with min. 3/4 in. long self-drilling No. 10-16 TEK screws through each of the provided hole locations. Furring channels are friction fitted into clips.

PAC INTERNATIONAL L L C — Type RSIC-S1-1 Ultra

6. **Gypsum Board*** — One layer of 5/8 in. (16 mm) thick by 48 in. (1.22 m) wide gypsum board installed with long dimension perpendicular to resilient channels and with side joints located midway between the structural steel members. Gypsum board secured to resilient channels or to the steel framing member cross tees with 1 in. (25 mm) long Type S bugle head screws spaced 8 in. (203 mm) OC in the field and along butt joints of the board. Screws located 1-1/2 in. (38 mm) and 3 in. (76 mm) from the side edges and butted end joints of the board, respectively. End joints secured to both resilient channels as shown in end joint detail.

When alternate **Steel Framing Members*** (Item 5B) are used, gypsum board sheets installed with long dimension (side joints) perpendicular to the grid runners with the end joints staggered min 4 ft (1.22 m) and centered between grid runners which are spaced 8 in. (203 mm) OC. Prior to installation of the gypsum board sheets, backer strips consisting of nom 7-3/4 in. (197 mm) wide by 48 in. (1.22 m) long pieces of gypsum board are to be laid atop the grid runner flanges and centered over each butted end joint location. The backer strips are to be secured to the flanges of the grid runners at opposite corners of the backer strip to prevent the backer strips from being uplifted during screw-attachment of the gypsum board sheets. Gypsum board fastened to grid runners with drywall screws spaced 1 in. (25 mm) and 4 in. (102 mm) from the side joints and max 8 in. (203 mm) OC in the field of the board. The butted end joints are to be secured to the backer strip with No. 10 by 1-1/2 in. (38 mm) long Type G laminating screws located 1 in. (25 mm) from each side of the butted end joint and

spaced 1 in. (25 mm) and 4 in. (102 mm) from the side joints and max 8 in. (203 mm) OC in the field of the board. Joints to be covered with paper tape and joint compound.

When alternate **Steel Framing Members*** (Item 5C) are used, gypsum board sheets installed with long dimension (side joints) perpendicular to the 6 ft long cross tees with the end joints staggered min 4 ft (1.22 m) and centered between cross tees which are spaced 8 in. (203 mm) OC. Gypsum board side joints may occur beneath or between main runners. Prior to installation of the gypsum board sheets, backer strips consisting of nom 7-3/4 in. (197 mm) wide pieces of gypsum board are to be laid atop the cross tee flanges and centered over each butted end joint location. The backer strips are to be secured to the flanges of the cross tees at opposite corners of the backer strip to prevent the backer strips from being uplifted during screw-attachment of the gypsum board sheets. Gypsum board fastened to cross tees with drywall screws spaced 1 in. (25 mm) and 4 in. (102 mm) from the side joints and max 8 in. (203 mm) OC in the field of the board. The butted end joints are to be secured to the backer strip with No. 10 by 1-1/2 in. (38 mm) long Type G laminating screws located 1 in. (25 mm) from each side of the butted end joint and spaced 1 in. (25 mm) and 4 in. (102 mm) from the side joints and max 8 in. (203 mm) OC in the field of the board. Joints to be covered with paper tape and joint compound.

When **Steel Framing Members** (Item 5D) are used, One layer nom 5/8 in. thick, 4 ft wide gypsum board, installed as described in Item 6. Adjacent butt joints staggered minimum 48 in. OC.

When **Steel Framing Members** (Item 5E) are used, One layer nom 5/8 in. thick, 4 ft wide gypsum board, installed as described in Item 6. Butt joints staggered minimum 24 in. OC.

CGC INC — Type C

UNITED STATES GYPSUM CO — Type C

7. **Finishing System - (Not Shown)** — Vinyl, dry or premixed joint compound, applied in two coats to joints and screw-heads. Nom 2 in. (51 mm) wide paper tape embedded in first layer of compound over all joints. As an alternate, nom 3/32 in. (2 mm) thick veneer plaster may be applied to the entire surface of gypsum board.

*** Indicates such products shall bear the UL or cUL Certification Mark for jurisdictions employing the UL or cUL Certification (such as Canada), respectively.**

Last Updated on 2022-02-07