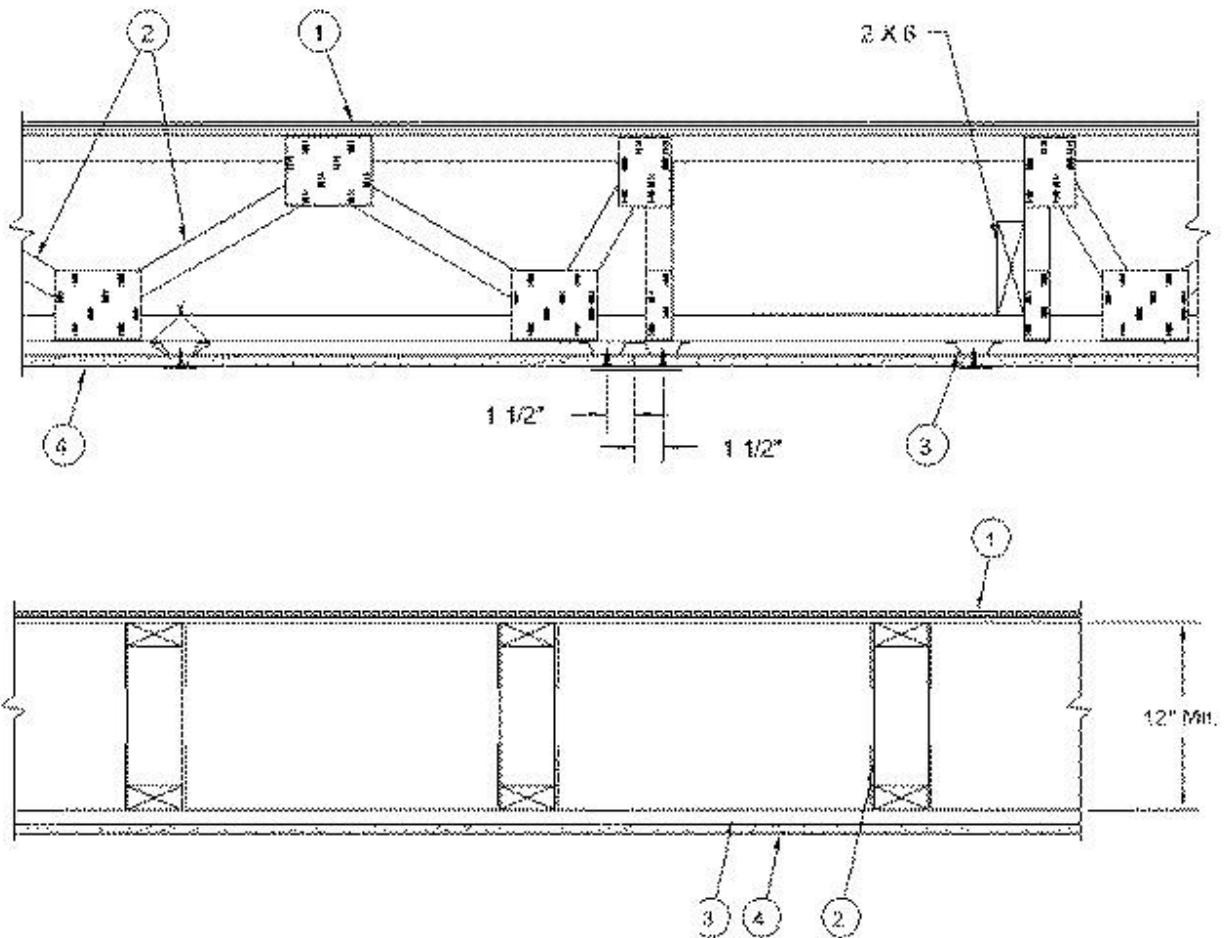


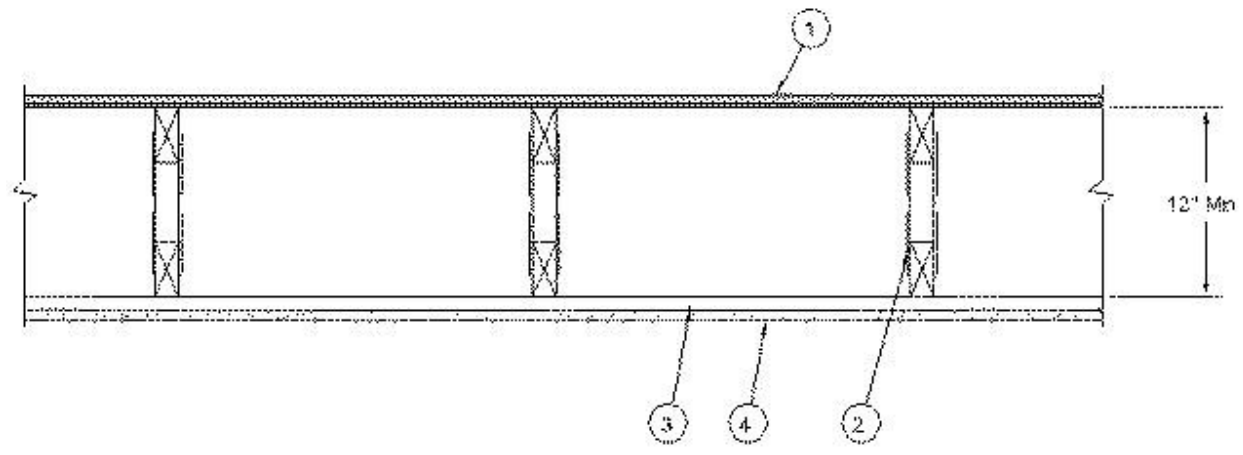
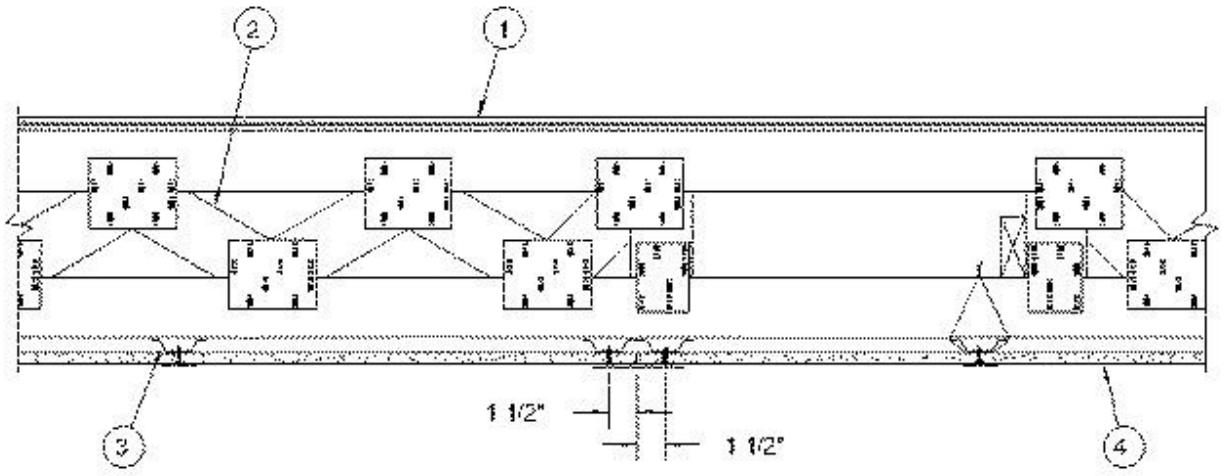
Design No. **L528**  
February 28, 2023

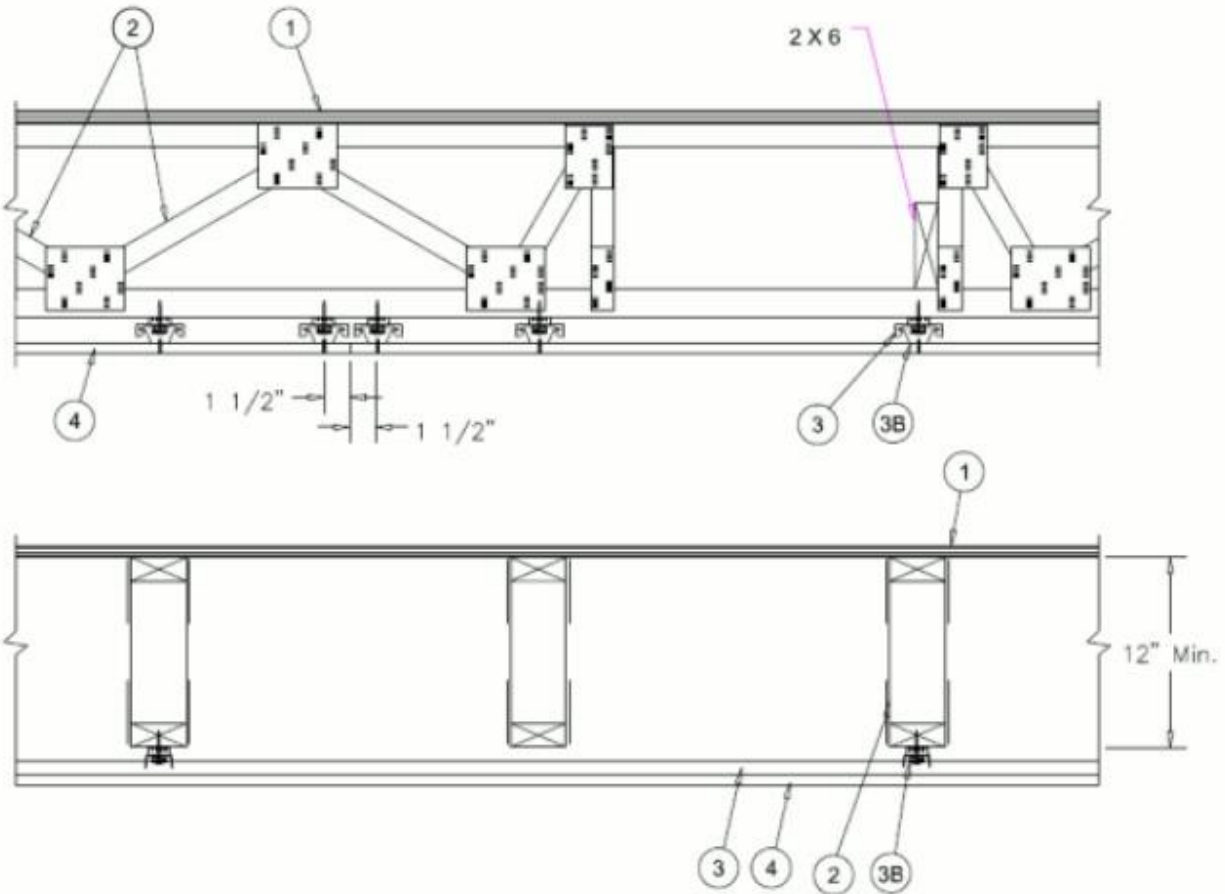
**Unrestrained Assembly Rating - 1 Hr.**  
**Finish Rating - 22 Min.**

This design was evaluated using a load design method other than the Limit States Design Method (e.g., Working Stress Design Method). For jurisdictions employing the Limit States Design Method, such as Canada, a load restriction factor shall be used — See Guide [BXUV](#) or [BXUV7](#)

\* Indicates such products shall bear the UL or cUL Certification Mark for jurisdictions employing the UL or cUL Certification (such as Canada), respectively.







1. **Flooring System** — The flooring system shall consist of one of the following:

**System No. 1**

**Subflooring** — Min 23/32 in. thick T & G wood structural panels, min grade "Underlayment" or "Single-Floor". Face grain of plywood or strength axis of panels to be perpendicular to the trusses with end joints staggered 4 ft. Panels secured to trusses with construction adhesive and No. 6d ringed shank nails spaced 12 in. OC along each truss. TetraGRIP™ nails measuring 2-3/8 in. long, 0.113 in. diameter, 0.272 in. round head, and helically threaded shank with barbed features on the helix meeting ASTM F1667 and having equal or greater withdrawal and lateral resistance strength may be substituted for the 6d nails. Staples having equal or greater withdrawal and lateral resistance strength may be substituted for the 6d nails.

**System No. 2**

**Subflooring** — Min 23/32 in. thick T & G wood structural panels, min grade "Underlayment" or "Single-Floor". Face grain of plywood or strength axis of panels to be perpendicular to the trusses with end joints staggered 4 ft. Panels secured to trusses with construction adhesive and No. 6d ringed shank nails spaced 12 in. OC along each truss. TetraGRIP™ nails measuring 2-3/8 in. long, 0.113 in. diameter, 0.272 in. round head, and helically threaded shank with barbed features on the helix meeting ASTM F1667 and having equal or greater withdrawal and lateral resistance strength may be substituted for the 6d nails. Staples having equal or greater withdrawal and lateral resistance strength may be substituted for the 6d nails.

**Vapor Barrier** — (Optional) — Commercial asphalt saturated felt, 0.030 in. thick.

**Vapor Barrier** — (Optional) — Nom 0.010 in. thick commercial rosin-sized building paper.

**Finish Flooring** — Min 3/4 in. thickness of lightweight insulating concrete with **Perlite Aggregate\*** or **Vermiculite Aggregate\***, or gypsum concrete.

See **Perlite Aggregate** (CFFX) and **Vermiculite Aggregate** (CJZZ) categories for names of manufacturers.

### **System No. 3**

**Subflooring** — Min 23/32 in. thick wood structural panels, min grade "C-D" or "Sheathing". Face grain of plywood or strength axis of panels to be perpendicular to the trusses with joints staggered.

**Vapor Barrier** — (Optional) — Commercial asphalt saturated felt, 0.030 in. thick.

**Floor Mat Materials\*** — (Optional)— Floor mat material nom 5/64 in. (2 mm) thick adhered to subfloor with Hacker Floor Primer. Primer to be applied to the surface of the mat prior to the placement of a min 1 in. of floor-topping mixture.

**HACKER INDUSTRIES INC** — Type Hacker Sound-Mat.

**Alternate Floor Mat Materials** — (Optional) — Floor mat material nom 1/4 in. (6 mm) thick adhered to subfloor with Hacker Floor Primer. Primer to be applied to the surface of the mat prior to the placement of a min 1-1/4 in. (32 mm) of floor-topping mixture.

**HACKER INDUSTRIES INC** — Type Hacker Sound-Mat II.

**Alternate Floor Mat Materials** — (Optional) — Floor mat material nom 1/8 in. (3 mm) thick loose laid over the subfloor. Floor topping thickness shall be a min of 3/4 in. (19 mm)

**HACKER INDUSTRIES INC** — FIRM-FILL SCM 125

**Alternate Floor Mat Materials** — (Optional) — Floor mat material nom 1/4 in. (6 mm) thick loose laid over the subfloor. Floor topping thickness shall be a min of 1 in. (25 mm)

**HACKER INDUSTRIES INC** — Type FIRM-FILL SCM 250, Quiet Qurl 55/025

**Alternate Floor Mat Materials** — (Optional) — Floor mat material nom 3/8 in. (10 mm) thick loose laid over the subfloor. Floor topping thickness shall be a min of 1-1/4 in. (32 mm)

**HACKER INDUSTRIES INC** — FIRM-FILL SCM 400, Quiet Qurl 60/040

**Alternate Floor Mat Materials** — (Optional) — Floor mat material nom 3/4 in. (19 mm) thick loose laid over the subfloor. Floor topping thickness shall be a min of 1-1/2 in. (38 mm)

**HACKER INDUSTRIES INC** — Type FIRM-FILL SCM 750, Quiet Qurl 65/075

**Metal Lath** — (Optional) — For use with 3/8 in. (10 mm) floor mat materials, 3/8 in. expanded steel diamond mesh, 3.4 lbs/sq yd placed over the floor mat material. Hacker Floor Primer to be applied prior to the placement of the metal lath. When metal lath is used, floor topping thickness a nom 1-1/4 in. over the floor mat.

**Finish Flooring — Floor Topping Mixture\*** — Min 3/4 in. thickness of floor topping mixture having a min compressive strength of 1100 psi. Mixture shall consist of 6.8 gal of water to 80 lbs of floor topping mixture to 1.9 cu ft of sand.

**HACKER INDUSTRIES INC** — Firm-Fill Gypsum Concrete, Firm-Fill 2010, Firm-Fill 3310, Firm-Fill 4010, Firm-Fill High Strength, Gyp-Span Radiant

#### **System No. 4**

**Subflooring** — Min 23/32 in. thick wood structural panels, min grade "C-D" or "Sheathing". Face grain of plywood or strength axis of panels to be perpendicular to the trusses with joints staggered.

**Vapor Barrier** — (Optional) — Commercial asphalt saturated felt, 0.010 in. thick.

**Finish Flooring — Floor Topping Mixture\*** — Min 3/4 in. thickness of floor topping mixture having a minimum compressive strength of 1800 psi. Refer to manufacturer's instructions accompanying the material for specific mix design.

**UNITED STATES GYPSUM CO** — Types LRK, HSLRK, CSD

**LATICRETE SUPERCAP L L C** — Types LRK, HSLRK

**USG MEXICO S A DE C V** — Types LRK, HSLRK, CSD

**Floor Mat Materials\*** — (Optional) — Floor mat material loose laid over the subfloor. Refer to manufacturer's instructions regarding the minimum thickness of floor topping over each floor mat material.

**UNITED STATES GYPSUM CO** — Types SAM, LEVELROCK® Brand Sound Reduction Board, LEVELROCK® Brand Floor Underlayment SRM-25

**Alternate Floor Mat Materials\*** — (Optional) — Floor mat material loose laid over the subfloor. Refer to manufacturer's instructions regarding minimum thickness of floor topping over floor mat.

## **GRASSWORX L L C** — SC Types

**Alternate Floor Mat Material\*** — (Optional) - Floor mat material nominal 3/8 in. thick loose laid over the subfloor. Floor topping shall be a min 3/4 in. thick.

### **System No. 5**

**Subflooring** — Min 23/32 in. thick wood structural panels, min grade "C-D" or "Sheathing". Face grain of plywood or strength axis of panels to be perpendicular to the trusses with joints staggered.

**Vapor Barrier** — (Optional) — Commercial asphalt saturated felt, 0.030 in. thick.

**Finish Flooring — Floor Topping Mixture\*** — Min 1-1/2 in. thickness of floor topping mixture having a min compressive strength of 1000 psi and a cast density of 100 plus or minus 5 pcf. Foam concentrate mixed 40:1 by volume with water and expanded at 100 psi through nozzle. Mixture shall consist of 1.4 cu feet of preformed foam concentrate to 94 lbs Type I Portland cement, 300 lbs of sand with 5-1/2 gal of water.

**ELASTIZELL CORP OF AMERICA** — Type FF

### **System No. 6**

**Subflooring** — Min 23/32 in. thick wood structural panels, min grade "C-D" or "Sheathing". Face grain of plywood or strength axis of panels to be perpendicular to the trusses with joints staggered.

**Vapor Barrier** — (Optional) — Commercial asphalt saturated felt, 0.030 in. thick.

**Finish Flooring — Floor Topping Mixture\*** — Min 1-1/2 in. thickness of floor topping mixture having a min compressive strength of 1000 psi and a cast density of 100 plus or minus 5 pcf. Foam concentrate mixed 40:1 by volume with water and expanded at 100 psi through nozzle. Mixture shall consist of 1.2 cu feet of preformed foam concentrate to 94 lbs Type I Portland cement, 300 lbs of sand with 5-1/2 gal of water.

**AERIX INDUSTRIES** — Floor Topping Mixture

### **System No. 7**

Deleted.

### **System No. 8**

**Subflooring** — Min 23/32 in. thick wood structural panels, min grade "C-D" or "Sheathing". Face grain of plywood or strength axis of panels to be perpendicular to the trusses with joints staggered.

**Vapor Barrier** — (Optional) — Commercial asphalt saturated felt, 0.030 in. thick.

**Finish Flooring - Floor Topping Mixture\*** — Min 3/4 in. thickness of floor topping mixture having a minimum compressive strength of 1500 psi. Refer to manufacturer's instructions regarding the minimum thickness of floor topping over each floor mat material.

**MAXXON CORP** — Types Maxxon Standard and Maxxon High Strength

**Floor Mat Materials\*** — (Optional) - Floor mat material loose laid over the subfloor. Refer to manufacturer's instructions regarding the minimum thickness of floor topping over each floor mat material.

**MAXXON CORP** — Type Encapsulated Sound Mat.

**Floor Mat Reinforcement** — (Optional) - Refer to manufacturer's instructions regarding minimum thickness of floor topping for use with floor mat reinforcement.

**Metal Lath** — (Optional) - 3/8 in. expanded galvanized steel diamond mesh, 3.4 lbs/sq yd loose laid over the floor mat material.

**Fiber Glass Reinforcement** - (Optional, Not Shown) - 0.015 in. thick PVC coated non-woven fiberglass mesh, 0.368 lbs/sq yd loose laid over the floor mat material.

#### **System No. 9**

**Subflooring** — Min 23/32 in. thick wood structural panels, min grade "C-D" or "Sheathing". Face grain of plywood or strength axis of panels to be perpendicular to the trusses with joints staggered.

**Vapor Barrier** — (Optional) — Commercial asphalt saturated felt, 0.030 in. thick.

**Finish Flooring — Floor Topping Mixture\*** — Min 3/4 in. thickness of floor topping mixture having a min compressive strength of 1000 psi. Mixture shall consist of 5 to 8 gal of water to 80 lbs of floor topping mixture to 2.1 cu ft of sand. Refer to the manufacturer's instructions accompanying the material and/or contact the manufacturer's technical support for specific mix design and minimum thickness recommended for use with eligible floor mat(s).

**ULTRA QUIET FLOORS** — UQF-A, UQF-Super Blend, UQF-Plus 200

#### **System No. 10**

**Subflooring** — Min 23/32 in. thick wood structural panels, min grade "C-D" or "Sheathing". Face grain of plywood or strength axis of panels to be perpendicular to the trusses with joints staggered.

**Vapor Barrier** — (Optional) Commercial asphalt saturated felt, 0.030 in. thick.

**Finish Flooring — Floor Topping Mixture\*** — Min 3/4 in. thickness of floor topping having a min compressive strength of 1000 psi. Refer to manufacturer's instructions accompanying the material for specific mix design.

**FORMULATED MATERIALS LLC** — Types FR-25, FR-30, and SiteMix

**Alternate Floor Mat Material\*** — (Optional) Floor mat material nominal 2 - 9.5 mm thick loose laid over the subfloor. Floor topping shall be a min of 3/4 in.

**FORMULATED MATERIALS LLC** — Types M1, M2, M3, Elite, Duo, R1, and R2

### **System No. 11**

**Subflooring** — Min 1 by 6 in. T & G lumber fastened diagonally to trusses, or min 15/32 in. thick plywood or min 7/16 in. thick oriented strand board (OSB) wood structural panels, min grade "C-D" or "Sheathing". Face grain of plywood or strength axis of panel to be perpendicular to trusses with joints staggered.

**Finish Floor - Mineral and Fiber Board\*** — Min 1/2 in. thick, supplied in sizes ranging from 3 ft by 4 ft to 8 ft by 12 ft. All joints to be staggered a min of 12 in. with adjacent sub-floor joints.

**HOMASOTE CO** — Type 440-32 Mineral and Fiber Board

### **System No. 12**

**Subflooring** — Min 23/32 in. thick wood structural panels, min grade "C-D" or "Sheathing". Face grain of plywood or strength axis of panels to be perpendicular to the trusses with joints staggered.

**Vapor Barrier** — (Optional) — Commercial asphalt saturated felt, 0.030 in. thick.

**Finish Flooring — Floor Topping Mixture\*** — Min 3/4 in. thickness of floor topping having a min compressive strength of 1000 psi. Refer to manufacturer's instructions accompanying the material for specific mix design.

**ARCOSA SPECIALTY MATERIALS** — AccuCrete® Types NexGen, Green, Prime and PrePour, AccuRadiant®, AccuLevel® Types G40, G50 and SD30

**Alternate Floor Mat Material\*** — (Optional) — Floor mat material nominal 2 - 9.5 mm thick loose laid over the subfloor. Floor topping shall be a min of 3/4 in.

**ARCOSA SPECIALTY MATERIALS** — AccuQuiet® Types D13, D-18, D25, DX38, EM.125, EM.125S, EM.250, EM.250S, EM.375, EM.375S, EM.750, and EM.750S.

### **System No. 13**

**Subflooring** — Min 15/32 in. thick wood structural panels, min grade "C-D" or "Sheathing". Face grain of plywood or strength axis of panels to be perpendicular to the joists with joints staggered.

**Vapor Barrier** — (Optional) — Commercial asphalt saturated felt, 0.030 in. thick.

**Vapor Barrier** — (Optional) — Nom 0.010 in. thick commercial rosin-sized building paper.



**Finish Flooring\*** — Min 3/4 in. thickness of any Floor Topping Mixture bearing the UL Classification Marking as to Fire Resistance. See **Floor- and Roof-Topping Mixtures** (CCOX) category for names of Classified Companies.

**Floor Mat Materials\*** — (Optional) — Nom. 1/4 in. thick loose laid over the subfloor. Floor topping thickness shall be a minimum of 3/4 in.

**KEENE BUILDING PRODUCTS CO INC** — Type Quiet Qurl 55/025 and Quiet Qurl 55/025 N

**Alternate Floor Mat Materials\*** — (Optional) — Floor mat material Nom. 3/8 in. thick loose laid over the subfloor. Floor topping thickness shall be a minimum of 1 in.

**KEENE BUILDING PRODUCTS CO INC** — Type Quiet Qurl 60/040 and Quiet Qurl 60/040 N

**Alternate Floor Mat Materials\*** — (Optional) — Floor mat material Nom. 3/4 in. thick loose laid over the subfloor. Floor topping thickness shall be a minimum of 1-1/2 in.

**KEENE BUILDING PRODUCTS CO INC** — Type Quiet Qurl 65/075, Quiet Qurl 65/075 N

**Alternate Floor Mat Materials\*** — (Optional) — Floor mat material Nom. 1/8 in. thick loose laid over the subfloor. Floor topping thickness shall be a minimum of 3/4 in.

**KEENE BUILDING PRODUCTS CO INC** — Type Quiet Qurl 52/013 and Quiet Qurl 52/013 N

**Alternate Floor Mat Materials\*** — (Optional) — Floor mat material Nom. 1/4 in. entangled net core with a compressible fabric attached to the bottom loose laid over the subfloor. Floor topping thickness shall be a minimum of 1 in.

**KEENE BUILDING PRODUCTS CO INC** — Quiet Qurl 55/025 MT and Quiet Qurl 55/025 N MT

#### **System No. 14**

**Subflooring** — Min 23/32 in. thick T&G wood structural panels, min grade "Underlayment" or "Single-Floor". Face grain of plywood or strength axis of panels to be perpendicular to the trusses with end joints staggered 4 ft. Panels secured to trusses with construction adhesive and No. 6d ringed shank nails spaced 12 in. OC along each truss. TetraGRIP™ nails measuring 2-3/8 in. long, 0.113 in. diameter, 0.272 in. round head, and helically threaded shank with barbed features on the helix meeting ASTM F1667 and having equal or greater withdrawal and lateral resistance strength may be substituted for the 6d nails. Staples having equal or greater withdrawal and lateral resistance strength may be substituted for the 6d nails.

**Gypsum Board\*** — One layer of nom 5/8 in. thick, 4 ft wide gypsum board, installed with long dimension perpendicular to joists. Gypsum board secured with 1 in. long No. 6 Type W bugle head steel screws spaced 12 in. OC and located a min of 1-1/2 in. from side and end joints. The joints of the gypsum board are to be staggered a minimum of 12 inches from the joints of the subfloor.

**GEORGIA-PACIFIC GYPSUM L L C** — Type DS

**Floor Mat Materials\*** — (As an alternate to the single layer gypsum board) — Floor mat material loose laid over the subfloor.

**MAXXON CORP** — Type Encapsulated Sound Mat.

**Gypsum Board\*** — (For use when floor mat is used) Two layers of nom 5/8 in. thick, 4 ft wide gypsum board, installed with long dimension perpendicular to joists on top of the floor mat material. Gypsum board secured to each other with 1 in. long No. 6 Type G bugle head steel screws spaced 12 in. OC and located a min of 1-1/2 in. from side and end joints. The joints of the gypsum board are to be staggered a minimum of 12 inches in between layers and from the joints of the subfloor.

**GEORGIA-PACIFIC GYPSUM L L C** — Type DS

### **System No. 15**

**Subflooring** — Min 23/32 in. thick wood structural panels, min grade "C-D" or "Sheathing". Face grain of plywood or strength axis of panels to be perpendicular to the trusses with joints staggered.

**Vapor Barrier** — (Optional) — Commercial asphalt saturated felt, 0.030 in. thick.

**Finish Flooring - Floor Topping Mixture\*** — Min 3/4 in. thickness of floor topping having a min compressive strength of 1000 psi. Refer to manufacturer's instructions accompanying the material for specific mix design.

**DEPENDABLE LLC** — GSL M3.4, GSL K2.6, GSL-CSD, GSL RH and SKIMFLOW

**Floor Mat Materials\*** — (Optional) — Nom. 1/4 in. thick loose laid over the subfloor. Floor topping thickness shall be a minimum of 3/4 in.

**KEENE BUILDING PRODUCTS CO INC** — Type Quiet Qurl 55/025 and Quiet Qurl 55/025 N

**Alternate Floor Mat Materials\*** — (Optional) — Floor mat material Nom. 3/8 in. thick loose laid over the subfloor. Floor topping thickness shall be a minimum of 1 in.

**KEENE BUILDING PRODUCTS CO INC** — Type Quiet Qurl 60/040 and Quiet Qurl 60/040 N

**Alternate Floor Mat Materials\*** — (Optional) — Floor mat material Nom. 3/4 in. thick loose laid over the subfloor. Floor topping thickness shall be a minimum of 1-1/2 in.

**KEENE BUILDING PRODUCTS CO INC** — Type Quiet Qurl 65/075, Quiet Qurl 65/075 N

**Alternate Floor Mat Materials\*** — (Optional) — Floor mat material Nom. 1/8 in. thick loose laid over the subfloor. Floor topping thickness shall be a minimum of 3/4 in.

**KEENE BUILDING PRODUCTS CO INC** — Type Quiet Qurl 52/013 and Quiet Qurl 52/013 N

**Alternate Floor Mat Materials\*** — (Optional) — Floor mat material Nom. 1/4 in. entangled net core with a compressible fabric attached to the bottom loose laid over the subfloor. Floor topping thickness shall be a minimum of 1 in.

**KEENE BUILDING PRODUCTS CO INC** — Quiet Qurl 55/025 MT and Quiet Qurl 55/025 N MT

### **System No. 16**

**Subflooring** — Min 23/32 in. thick wood structural panels, min grade "C-D" or "Sheathing". Face grain of plywood or strength axis of panels to be perpendicular to the joists with joints staggered.

**Vapor Barrier** — (Optional) — Commercial asphalt saturated felt, 0.030 in. thick.

**Vapor Barrier** — (Optional) — Nom 0.010 in. thick commercial rosin-sized building paper.

**Finish Flooring\*** — Min 3/4 in. thickness of any Floor Topping Mixture bearing the UL Classification Marking as to Fire Resistance. See **Floor- and Roof-Topping Mixtures** (CCOX) category for names of Classified Companies. Refer to the manufacturer's instructions accompanying the material and/or contact the manufacturer's technical support for specific mix design and minimum thickness recommended for use with eligible floor mat(s).

**Floor Mat Materials\*** — (Optional) — Nom 3/32 in. thick loose laid over the subfloor. Floor topping thickness shall be a minimum of 3/4 in.

**PLITEQ INC** — Type GenieMat RST02

**Floor Mat Materials\*** — (Optional) — Nom 3/16 in. thick loose laid over the subfloor. Floor topping thickness shall be a minimum of 3/4 in.

**PLITEQ INC** — Type GenieMat FF03NP

**Floor Mat Materials\*** — (Optional) — Nom 1/4 in. thick loose laid over the subfloor. Floor topping thickness shall be a minimum of 3/4 in.

**PLITEQ INC** — Type GenieMat FF06

**Floor Mat Materials\*** — (Optional) — Nom 3/8 in. thick loose laid over the subfloor. Floor topping thickness shall be a minimum of 1 in.

**PLITEQ INC** — Type GenieMat FF10

**Floor Mat Materials\*** — (Optional) — Nom 3/4 in. thick loose laid over the subfloor. Floor topping thickness shall be a minimum of 1-1/2 in.

**PLITEQ INC** — Type GenieMat FF17

**Floor Mat Materials\*** — (Optional) — Nom 1 in. thick loose laid over the subfloor. Floor topping thickness shall be a minimum of 1-1/2 in.

**PLITEQ INC** — Type GenieMat FF25

#### **System No. 17**

**Subflooring** — Nom. 1-1/2 in. thick T & G laminated composite plywood sub-floor panels to be perpendicular to the trusses with end joints staggered 4 ft. End joints centered over top chord of trusses. Subfloor panels secured to trusses with construction adhesive and #8 by 3 in. wood screws spaced 12 in. OC in the field and 6 in. OC at the end joints.

**RSP INDUSTRIES INC** — SAP board

#### **System No. 18**

**Subflooring** — Min 15/32 in. thick wood structural panels, min grade "Underlayment" or "Single-Floor". Panels secured to trusses with construction adhesive and No. 6d ringed shank nails spaced 12 in. OC along each truss.

**Wall and Partition Facings and Accessories\* - Sound Barrier (Optional)** — Acoustic Sleeper pads stapled to the top of the subfloor, the bottom of the finish floor, or to 5/16 in. thick by 1-1/2 in. wide wood strips and centered over wood trusses. Acoustic Sleeper pads are to be spaced appropriately so that the finish floor panels are fastened through Acoustic Sleeper pads to the trusses.

**STC ARCHITECTURAL PRODUCTS L L C DBA STC SOUND CONTROL** — Acoustic Sleeper

**Finish Floor** — Min 23/32 in. thick T & G wood structural panels, min grade "Underlayment" or "Single-Floor". Face grain of plywood or strength axis of panels to be perpendicular to the trusses with end joints staggered 4 ft. Butt joints of panels have the option of being sealed with any UL Classified caulk or sealant found under - Fill, Void or Cavity Materials\* (XHHW).

#### **System No. 19**

**Structural Cement-Fiber Units\*** — For use with **UNITED STATES GYPSUM CO** Types C, IP-X2, IPC-AR and ULIX or **AMERICAN GYPSUM CO** Type AG-C. gypsum boards only. Nom 3/4 in. thick, with long edges tongue and grooved. Long dimension of panels to be perpendicular to wood trusses with end joints staggered a min of 2 ft and centered over the trusses. Panels secured to wood trusses with

1-5/8 in. long, No. 8, self- countersinking wood screw spaced a max of 12 in. OC in the field with a screw located 1 in. and 2 in. from each edge, and 8 in. OC on the perimeter with a screw located 2 in. from each edge, located 1/2 in. from the end edges of the panel.

**UNITED STATES GYPSUM CO** — Types STRUCTO-CRETE, USGSP

### **System No. 20**

**Subflooring** — Min 23/32 in. thick T & G wood structural panels, min grade "Underlayment" or "Single-Floor". Face grain of plywood or strength axis of panels to be perpendicular to the trusses with end joints staggered 4 ft. Panels secured to trusses with construction adhesive and No. 6d ringed shank nails spaced 12 in. OC along each truss. TetraGRIP™ nails measuring 2-3/8 in. long, 0.113 in. diameter, 0.272 in. round head, and helically threaded shank with barbed features on the helix meeting ASTM F1667 and having equal or greater withdrawal and lateral resistance strength may be substituted for the 6d nails. Staples having equal or greater withdrawal and lateral resistance strength may be substituted for the 6d nails.

**Finish Flooring - Floor Topping Mixture\*** — Min 1 in. thickness of floor topping mixture having a min compressive strength of 4500 psi. Refer to manufacturer's instructions accompanying the material for specific mix design.

**SIKA DEUTSCHLAND GMBH** — Type SCHONOX AP Rapid Plus

### **System No. 21**

**Subflooring** — Min 23/32 in. thick T & G wood structural panels, min grade "Underlayment" or "Single-Floor". Face grain of plywood or strength axis of panels to be perpendicular to the trusses with end joints staggered 4 ft. Panels secured to trusses with construction adhesive and No. 6d ringed shank nails spaced 12 in. OC along each truss. TetraGRIP™ nails measuring 2-3/8 in. long, 0.113 in. diameter, 0.272 in. round head, and helically threaded shank with barbed features on the helix meeting ASTM F1667 and having equal or greater withdrawal and lateral resistance strength may be substituted for the 6d nails. Staples having equal or greater withdrawal and lateral resistance strength may be substituted for the 6d nails.

**Vapor Barrier** — (Optional) - Commercial asphalt saturated felt, 0.030 in. thick.

**Vapor Barrier** — (Optional) - Nom 0.010 in. thick commercial rosin-sized building paper.

**Finish Flooring - Floor Topping Mixture\*** — Min 3/4 in. thickness of any Floor Topping Mixture bearing the UL Classification Marking as to Fire Resistance. See Floor- and Roof-Topping Mixtures (CCOX) category for names of Classified Companies. Refer to the manufacturer's instructions accompanying the material and/or contact the manufacturer's technical support for specific mix design and minimum thickness recommended for use with eligible floor mat(s).

**Floor Mat Materials\*** — (Optional, Not Shown) - Floor mat material loose laid over the subfloor. Refer to manufacturer's instructions regarding the minimum thickness of floor topping over each floor mat material.

**LOW & BONAR INC** — EnkaSonic® by Colbond a member of the Low & Bonar group Types 125, 250, 250 Plus, 400, 400 Plus, 750, and 750 Plus.

**Floor Mat Reinforcement** — (Optional) - Refer to manufacturer's instructions regarding minimum thickness of floor topping for use with floor mat reinforcement.

**Metal Lath** — (Optional) — Expanded steel diamond mesh, 2.5 lb / sq yd loose laid over floor mat material.

**Fiberglass Mesh Reinforcement** — (Optional) — Coated non-woven glass fiber mesh grid loose laid over floor mat material.

#### **System No. 22**

**Subflooring** — Min 23/32 in. thick T & G wood structural panels described and installed as shown in System No. 1.

**Finish Floor - Building Units\*** — Min 1/2 in. thick magnesium oxide panels installed parallel, perpendicular, or diagonally to trusses with panel edges offset a min of 4 in. between subfloor and magnesium oxide panels. Panels secured to subfloor with construction adhesive and corrosion resistant fasteners, spaced 12 in. OC around the perimeter and in the field of the panel. Fasteners must be placed no closer than 1/2 in. from all panel edges and no closer than 2 in. from panel corners

**HUBER ENGINEERED WOODS L L C** — Type 1/2 in. Square Edge Exacor™ Board

#### **System No. 23**

**Subflooring** — Min 15/32 in. thick wood structural panels, min grade "C-D" or "Sheathing". Face grain of plywood or strength axis of panels to be perpendicular to the trusses with joints staggered. Fastened with 8d ringed shank nails spaced 12 in. OC along each truss.

**Finish Floor - Building Units\*** — Min 1/2 in. thick, supplied in 4 by 8 ft panels, fastened to trusses through subfloor with 8d ringed shank nails spaced a max of 12 in. OC. All joints to be staggered a min of 12 in. with adjacent sub-floor joints.

**ECTEK INTERNATIONAL INC** — Type MegaBoard, 1/2 in. thick

#### **System No. 24**

**Subflooring — Building Units\*** — Nom 3/4 in. thick, tongue and grooved boards. Long dimension of boards to be perpendicular to wood trusses with end joints staggered a min of 4 ft. and centered over the trusses. Boards secured to trusses with min 2 in. long screws or 2 in. x 0.113 in. Ring Shank nails spaced a max of 12 in. OC in the field with screws/nails located 1 in. from long edge, and max 8 in. OC along the end joints with screws/nails located 1/2 in. from end joint.

**ECTEK INTERNATIONAL INC** — Type MegaBoard, 3/4 in. thick

**Finish Floor (optional) — Building Units\*** — Min 1/2 in. thick, supplied in 4 by 8 ft panels, fastened to trusses through subfloor with 2-3/8 in. long 8d ringed shank nails spaced a max of 12 in. OC. All joints to be staggered a min of 12 in. with adjacent sub-floor joints.

**ECTEK INTERNATIONAL INC** — Type MegaBoard, 1/2 in. thick

#### **System No. 25**

**Subflooring** — Min 23/32 in. thick T & G wood structural panels, min grade "Underlayment" or "Single-Floor". Face grain of plywood or strength axis of panels to be perpendicular to the trusses with end joints staggered 4 ft. Panels secured to trusses with construction adhesive and No. 6d ringed shank nails spaced 12 in. OC along each truss. TetraGRIP™ nails measuring 2-3/8 in. long, 0.113 in. diameter, 0.272 in. round head, and helically threaded shank with barbed features on the

helix meeting ASTM F1667 and having equal or greater withdrawal and lateral resistance strength may be substituted for the 6d nails. Staples having equal or greater withdrawal and lateral resistance strength may be substituted for the 6d nails.

**Vapor Barrier — (Optional)** — Nom 0.030 in. thick commercial asphalt saturated felt.

**Floor Mat Materials\*** — (Optional) — Floor mat material loose laid over the subfloor. Refer to manufacturer's instructions regarding the minimum thickness of floor topping over each floor mat material.

**GRASSWORX L L C** — SC Types

**Finish Flooring\*** — Min 3/4 in. thickness of any Floor Topping Mixture bearing the UL Classification Marking as to Fire Resistance. See Floor- and Roof-Topping Mixtures (CCOX) category for names of Classified Companies. Refer to the manufacturer's instructions accompanying the material and/or contact the manufacturer's technical support for specific mix design and minimum thickness recommended for use with eligible floor mat(s).

**Floor Mat Reinforcement** — (Optional) - Refer to manufacturer's instructions regarding minimum thickness of floor topping for use with floor mat reinforcement.

**Metal Lath** — (Optional) — Expanded steel diamond mesh, 2.5 lb / sq yd loose laid over floor mat material.

**Fiberglass Mesh Reinforcement** — (Optional) — Coated non-woven glass fiber mesh grid loose laid over floor mat material.

## System No. 26

**Subflooring – Building Units\*** — Nom 3/4 in. thick, ship-lap or tongue-in-groove edge detail. Long dimension of boards to be perpendicular to trusses with end joints staggered a min of 4 ft. and centered over the trusses. Boards secured to trusses with #8 x 2 in. long screws or 2 in. long by 0.113 in. ring shank nails spaced a max of 12 in. OC in the field and 8 in. OC along butt ends. Fasteners located 1/2 in. from butt edges and 2 in. from long edges of the board. When Finish Floor (see below) is not used, must be used with Item 7I).

**AMERIFORM L L C** — Type Nocom

**Finish floor** – (Optional) - Min 1/2 in. thick, supplied in 4 ft by 8 ft panels, installed perpendicular or parallel to trusses with panel edges offset a min of 24 in. with adjacent sub-floor joints. Panels secured to subfloor with construction adhesive and corrosion resistant fasteners spaced a max of 12 in. OC. around perimeter and in the field of the panel. Fasteners located 1/2 in. at butt edges and 2 in. from long edge of the boards.

**MULTI-PANELS** – Type M4 Panel

## System No. 27

**Subflooring** Min 23/32 in. thick T & G wood structural panels, min grade "Underlayment" or "Single-Floor". Face grain of plywood or strength axis of panels to be perpendicular to the trusses with end joints staggered 4 ft. Panels secured to trusses with construction adhesive and No. 6d ringed shank nails spaced 12 in. OC along each truss. TetraGRIP™ nails measuring 2-3/8 in. long, 0.113 in. diameter, 0.272 in. round head, and helically threaded shank with barbed features on the helix meeting ASTM F1667 and having equal or greater withdrawal and lateral resistance strength may be substituted for the 6d nails. Staples having equal or greater withdrawal and lateral resistance strength may be substituted for the 6d nails.

**Finish Floor – Building Units\*** - (Optional) - Min 1/2 in. thick, supplied in 4 ft by 8 ft panels, installed perpendicular or parallel to trusses with panel edges offset a min of 24 in. with adjacent sub-floor joints. Panels secured to subfloor with construction adhesive and corrosion resistant fasteners spaced a max of 12 in. OC. around perimeter and in the field of the panel. Fasteners located 1/2 in. at butt edges and 2 in. from long edges of the board.

### **MULTI-PANELS** – Type M4 Panel

2. **Trusses** — Parallel chord trusses, spaced a max 24 in. OC, fabricated from nom 2 by 4 in. lumber with lumber oriented vertically or horizontally. Min truss depth is 12 in. when item 9 is not employed. Min truss depth is 18 in. when item 9 is employed. Truss members secured together with min No. 20 MSG galv steel truss plates. Plates have 5/16 in. long teeth projecting perpendicular to the plane of the plate. The teeth are in pairs facing each other (made by the same punch), forming a split-tooth-type plate. Each tooth has a chisel point on its outside edge. These points are diagonally opposite each other for each pair. The top half of each tooth has a twist for stiffness. The pairs are repeated on approx 7/8 in. centers with four rows of teeth per in. of plate width.

3. **Furring Channels** — Hat channels, 7/8 in. deep by 2-9/16 in. or 2-11/16 in. or 2-23/32 in. wide at the base and 1-7/16 in. wide at the face, formed from No. 25 ga galv steel, spaced 24 in. OC perpendicular to trusses. Channels secured to trusses with double strand of No. 18 SWG galv steel wire spaced 48 in. OC. Ends of adjoining channels overlapped 6 in. and tied together with double strand of No. 18 SWG galv steel wire near each end of overlap. Two furring channels used at end joints of gypsum board (Item 4), each extending a min of 6 in. beyond both side edges of the board.

3A. **Resilient Channels** — (Not Shown) — As an alternate to Item 3, resilient channel formed from No. 26 MSG galv steel, spaced 16 in. OC perpendicular to trusses. Channels secured to each truss with 1-1/4 in. long No. 6 Type S bugle head steel screw. Channels overlapped at splices 4 in. Two resilient channels used at end joints of gypsum board (Item 4), each extending a min of 6 in. beyond both side edges of the board.

3B. **Steel Framing Members\*** — (Optional) — Used as an alternate method to attach furring channels to trusses (Item 2). Clips spaced 48 in. OC. RSIC-1 and RSIC-1 (2.75) clips secured to the bottom chord of alternating trusses with No. 8 x 2-1/2 in. coarse drywall screw through the center grommet. RSIC-V and RSIC-V (2.75) clips secured to the bottom chord of alternating trusses with No.



8 x 1-1/2 in. coarse drywall screw through the center hole. Furring channels are friction fitted into clips. RSIC-1 and RSIC-V clips for use with 2-9/16 in. wide furring channels. RSIC-1 (2.75) and RSIC-V (2.75) clips for use with 2-23/32 in. wide furring channels. Adjoining channels are overlapped as described in Item 3. As an alternate, ends of adjoining channels may be overlapped 6 in. and secured together with two min 7/16 in. long No. 6 self-tapping framing screws, at the midpoint of the overlap, with one screw on each flange of the channel. Additional clips required to hold furring channel that supports the gypsum board butt joints, as described in Item 4. When Fiber, Sprayed (Item 6) is used, furring channel spacing reduced to 16 in. OC and two layers of nom 5/8 in. thick, 4 ft wide gypsum board shall be installed as described in Item 4.

**PAC INTERNATIONAL L L C** — Types RSIC-1, RSIC-V, RSIC-1 (2.75), RSIC-V (2.75).

**3C. Steel Framing Members\*** — (Optional, Not Shown) — Used as an alternate method to attach furring channels to trusses. Clips spaced 48 in. OC., and secured to the bottom chord to alternating trusses with two No. 8 x 2-1/2 in. coarse drywall screws, one through the hole at each end of the clip. Furring channels are friction fitted into clips. Ends of adjoining channels overlapped 6 in. and tied together with double strand of No. 18 SWG galv steel wire near each end of overlap. Additional clips required to hold furring channel that supports the gypsum board butt joints, as described in Item 4. Two layers of gypsum board required as described in Item 4. Not evaluated for use with Item 6. When Item 3C is used and Batts and Blankets\* are added per Section III Item 18 Blanket Insulation in the General Information of this Directory (BXUV), clips spaced 48 in. OC, furring channels spaced 16 in. OC max, 3-1/2 in. max. Batts and Blankets\* secured to plywood subfloor with staples spaced 12 in. OC or to the trusses with 0.090 in. diam galv steel wires spaced 12 in. OC, and two layers of gypsum board required as described in Item 4A. When the Batts and Blankets\* are draped over the furring channel/gypsum panel ceiling membrane, the clip spacing shall be reduced to 24 in. OC and secured to consecutive trusses, the furring channel spacing shall be reduced to 12 in. OC, and two layers of gypsum board required as described in Item 4A.

**KINETICS NOISE CONTROL INC** — Type Isomax.

**3D. Steel Framing Members\*** — (Optional, Not Shown) — For Use with Item 7- Used as an alternate method to attach furring channels to trusses. Clips spaced 48 in. OC. and secured to the bottom chord to alternating trusses with one No. 8 x 2-1/2 in. coarse drywall screw through the center hole. Furring channels are friction fitted into clips. Ends of adjoining channels overlapped 6 in. and tied together with double strand of No. 18 SWG galv steel wire near each end of overlap. Additional clips required to hold furring channel that supports the gypsum board butt joints, as described in Item 4. Not evaluated for use with Item 6.

**PLITEQ INC** — Type Genie Clip

**3E. Steel Framing Members\*** — (Optional, Not Shown) — For use with Item 7B - Used as an alternate method to attach furring channels to trusses. Clips spaced at 48" OC and secured to the bottom of the trusses with one 2 in. Coarse Drywall Screw with 1 in. diam. washer through the center hole. Furring channels are then friction fitted into clips. Ends of channels are overlapped 6 in. and tied together with double strand of No. 18 SWG galv steel wire. Additional clips are required to hold the Gypsum Butt joints as described in item 4. Not evaluated for use with Item 6.

**STUDCO BUILDING SYSTEMS** — RESILMOUNT Sound Isolation Clips - Type A237 or A237R

**3F. Resilient Channels** — For use with Item 4B and 7A - Resilient channels, formed from No. 25 MSG galv steel and shaped as shown, spaced 12 in. OC perpendicular to joist. Channels overlapped 4 in. at splices and secured to each joist with 1-1/4 in. Type S screws. Min end clearance of channels to wall

to be 1/2 in. Additional resilient channels positioned so as to coincide with end joints of gypsum board.

**3G. Resilient Channels** — For Use With Item 4C and 7C. Formed from min 25 MSG galv steel installed perpendicular to trusses and spaced 16 in. OC. Channels secured to each truss with 1-5/8 in. long Type S bugle head steel screws. Channels overlapped 4 in. at splices. Two channels, spaced 6 in. OC, oriented opposite each gypsum panel end joint. Additional channels shall extend min 6 in. beyond each side edge of panel. Insulation, Item 7C is applied over the resilient channel/gypsum panel ceiling membrane.

**3H. Steel Framing Members\*** — (Optional, Not Shown) — Used as an alternate method to attach furring channels to trusses. Clips spaced at 48" OC and secured to the bottom of the trusses with one 2-1/2 in. Coarse Drywall Screw with 1 in. diam. washer through the center hole. Furring channels are then friction fitted into clips. Ends of channels are overlapped 6 in. and tied together with double strand of No. 18 SWG galv steel wire. Additional clips are required to hold the Gypsum Butt joints as described in item 4. Not evaluated for use with Item 6.

**REGUPOL AMERICA** — Type SonusClip

**3I. Steel Framing Members** — (Not Shown) — For use with Items 4C and 7F, As an alternate to Item 3, main runners, cross tees, cross channels and wall angle as listed below.

a. **Main Runners** — Nom 10 or 12 ft long, 15/16 in. or 1-1/2 in. wide face, spaced 4 ft. OC. Main runners suspended by min 12 SWG galv. steel hanger wires spaced 48 in. OC. Hanger wires to be located adjacent to main runner/cross tee intersections. Hanger wires wrapped and twist-tied on 16d nails driven in to side of trusses at least 5 in. above the bottom face.

b. **Cross Tees or Channels** — Nom 4 ft long cross tees, with 15/16 in. or 1-1/2 in. wide face, or nom 4 ft long cross channels, with 1-1/2 in. wide face, spaced 16 in. OC, installed perpendicular to the main runners. Additional cross tees or channels used 8 in. from each side of butted gypsum board end joints. The cross tees or channels may be riveted or screw-attached to the wall angle or channel to facilitate the ceiling installation.

c. **Wall Angle or Channel** — Painted or galv. steel angle with 1 in. legs or channel with 1 in. legs, 1-9/16 in. deep attached to walls at perimeter of ceiling with fasteners 16 in. OC. To support steel framing member ends and for screw-attachment of the gypsum panel.

**USG INTERIORS LLC** — Type DGL or RX

**3J. Steel Framing Members\*** — (Optional, Not Shown) — Used to attach resilient channels (Item 3A) to trusses (Item 2). Clips spaced 48 in. OC on adjacent trusses, and secured to trusses with one No. 8 x 2-1/2 in. coarse drywall screw through center grommet hole. Channels secured to clips with one #10 x 1/2 in. pan-head self-drilling screw. Ends of adjoining channels overlapped 6 in. and secured together with two #8 15 x 1/2 in. Philips Modified Truss screws spaced 2-1/2 in. from the center of the overlap. Gypsum board butt joints require additional resilient channels spaced 1-1/2 in. from the butt joint on either side. One edge of the extra channels will extend to an adjacent truss where it is secured with a clip.

**KEENE BUILDING PRODUCTS CO INC** — Type RC+ Assurance Clip

**3K. Resilient Channels** — For use with items 3L, 4F, and 7G — Formed from min 26 MSG galv steel installed perpendicular to trusses. When Item 7G is draped over channels, channels spaced a

maximum 12 in. OC. Channels secured to each truss as described in Item 3L. Channel ends butted and centered under the joists and attached to the joists with one screw at each end. Additional resilient channels positioned so as to coincide with end joints of gypsum board as shown in the above illustration. Additional channels shall extend min 3 in. beyond each side edge of board.

**3L. Steel Framing Members\*** — (Optional, Not Shown) — Used as an alternate method to attach resilient channels to joists (Item 2). For use with items 3K, 4F and 7G. A resilient sound isolation accessory shall be used at each attachment point of the resilient channels and spaced max 24 in. O.C. Channel ends butted and centered under the joists and attached to the joists with one accessory at each end. Additional accessories used to hold resilient channels that support the gypsum board end joints, as described in Item 3K. The accessory envelops the mounting edge of the resilient channel. The accessory and resilient channel are fastened to the joists with the screws supplied with the accessory and per the accessory manufacturer's installation instructions.

**PAC INTERNATIONAL L L C** — Types RC-1 Boost

**3M. Steel Framing Members\*** — (Optional, Not Shown) — As an alternate to Item 3.

a. **Furring Channels** — Formed of No. 25 MSG galv steel, nominal 2-1/2 in. wide by 7/8 in. deep, spaced 24 in. OC, perpendicular to trusses. Channels secured to Cold Rolled Channels at every intersection with a 3/4 in. TEK screw through each furring channel leg. Ends of adjoining channels overlapped 12 in. and fastened together with two double strand No. 18 SWG galv steel wire ties, one at each end of overlap, or with two 3/4 in. TEK screws in each leg of the overlap section. Two furring channels used at end joints of gypsum board (Item 4), each extending a min of 6 in. beyond both side edges of the board.

b. **Cold Rolled Channels** — 1-1/2 in. by 1/2 in., formed from No. 16 ga. galv steel, positioned vertically and parallel to trusses, friction-fitted into the channel caddy on the Steel Framing Members (Item 3Md) and secured with two 3/4 in. TEK screws. Adjoining lengths of cold rolled channels lapped min. 12 in. and secured along bottom legs with four 3/4 in. TEK screws and wire-tied together with two double strand 18 SWG galv steel wire ties, one at each end of overlap.

c. **Blocking** — Where truss design does not permit direct, full contact of the hanger bracket, a piece of nominal 2 by 4 in. lumber (blocking), min. 12 in. long to permit full contact of the hanger bracket, to be secured vertically to the side of the trusses at the top and bottom of the blocking at each Steel Framing Member (Item 3Md) location with 16d nails or minimum 2-1/2 in. screws.

d. **Steel Framing Members\*** — Spaced 48 in. OC. max along truss, and secured to the truss on alternating trusses with two, #10 x 1-1/2 in. screws through mounting holes on the hanger bracket.

**PAC INTERNATIONAL L L C** — Type RSIC-SI-CRC EZ Clip

**3N. Steel Framing Members\*** — (Optional, Not Shown) — As an alternate to Item 3.

a. **Furring Channels** — Formed of No. 25 MSG galv steel, nominal 2-1/2 in. wide by 7/8 in. deep, spaced 24 in. OC perpendicular to trusses and friction fit into Steel Framing Members (Item 3Nc). Ends of adjoining channels overlapped 6 in. and tied together with double strand of No. 18 SWG galv steel wire near each end of overlap or with two TEK screws along each leg of the 6 in. overlap. Two furring channels used at end joints of gypsum board (Item 4). Butt joint channels held in place by strong back channels placed upside down, on top of, and running perpendicular to primary furring channels, extending 6 in. longer than length of gypsum side joint. Strong back channels spaced maximum 48 in. OC. Strong back channels secured to every intersection of primary furring

channels with four 7/16 in. pan head screws, two along each of the legs at intersections. Butt joint channels run perpendicular to strong back channels and shall be minimum 6 in. longer than length of joint, secured to strong back channels with 7/16 in. pan head screws, two along each of the legs at intersection with strong back channels.

b. **Blocking** — Where truss design does not permit direct, full contact of the hanger bracket, a piece of nominal 2 by 4 in. lumber (blocking), min. 12 in. long to permit full contact of the hanger bracket, to be secured vertically to the side of the trusses at the top and bottom of the blocking at each Steel Framing Member (Item 3Nc) location with 16d nails or minimum 2-1/2 in. screws.

c. **Steel Framing Members\*** — Used to attach furring channels (Item 3Na) to trusses. Clips spaced 48 in. OC and secured along truss webs at each furring channel intersection with min. 3/4 in. long self-drilling #10 x 1-1/2 in. screws through each of the provided hole locations. Furring channels are friction fitted into clips.

**PAC INTERNATIONAL L L C** — Type RSIC-S1-1 Ultra

3O. **Resilient Channels** — For Use With Item 4G and 7C. Formed from min 25 MSG galv steel installed perpendicular to trusses and spaced 16 in. OC. Channels secured to each truss with 1-1/4 in. long Type S bugle head steel screws. Channels overlapped 4 in. at splices. Two channels, spaced 6 in. OC, oriented opposite each gypsum panel end joint. Additional channels shall extend min 6 in. beyond each side edge of panel. Insulation, Item 7C is applied over the resilient channel/gypsum panel ceiling membrane.

3P. **Steel Framing Members\*** — (Optional, Not Shown, As an alternate to Item 3) — Furring channels and Steel Framing Members as described below:

A. **Furring Channels** — Formed of No. 25 MSG galv steel. 2-23/32 in. wide by 7/8 in., spaced 24 in. OC max perpendicular to trusses. Channels secured to trusses as described in Item 3Pb. Ends of adjoining channels are overlapped 6 in. and tied together with double strand of No. 18 SWG galv steel wire near each end of overlap. As an alternate, ends of adjoining channels may be overlapped 6 in. and secured together with two self-tapping #6 framing screws, min. 7/16 in. long at the midpoint of the overlap, with one screw on each flange of the channel. Additional clips required to hold furring channel that supports the wallboard butt joints, as described in Item 4.

B. **Steel Framing Members\*** — Used to attach furring channels (Item 3Pa) to trusses (Item 2). Clips spaced 48 in. OC max with No. 8 x 2-1/2 in. course drywall screw through the center grommet. Furring channels are friction fitted into clips.

**CLARKDIETRICH BUILDING SYSTEMS** — Type ClarkDietrich Sound Clips

4. **Gypsum Board\*** — One layer of nom 5/8 in. thick, 4 ft wide gypsum board, installed with long dimension perpendicular to furring or resilient channels. Gypsum board secured with 1 in. long No. 6 Type S bugle head steel screws spaced 12 in. OC and located a min of 1-1/2 in. from side and end joints. End joints secured to both resilient channels as shown in the end joint detail. When **Steel Framing Members** (Item 3B and 3P) are used, one layer of nom 5/8 in. thick, 4 ft wide gypsum board is installed with long dimension perpendicular to furring channels. Gypsum board secured to furring channels with nom 1 in. long No. 6 Type S bugle head screws spaced 12 in. OC in the field of the board. Gypsum board butt joints shall be staggered 2 ft within the assembly, and shall occur

between the main furring channels. At the gypsum board butt joints, each end of each gypsum board shall be supported by a single length of furring channel equal to the width of the gypsum board plus 6 in. on each end. The two furring channels at each butt joint shall be spaced approximately 3-1/2 in. OC, and be attached to the bottom chord of the truss with one clip at each end of the channel. Screw spacing along the gypsum board butt joint shall be 8 in. OC. When both **Steel Framing Members** (Item 3B) and **Fiber, Sprayed** (Items 6 or 6A) are used, furring channel spacing reduced to 16 in. OC and two layers of nom 5/8 in. thick, 4 ft wide gypsum board are installed with long dimension perpendicular to furring channels. Base layer secured to furring channels with nom 1 in. long No. 6 Type S bugle head screws spaced 12 in. OC in the field of the board. Gypsum board butt joints shall be staggered 2 ft within the assembly, and shall occur between the main furring channels. At the gypsum board butt joints, each end of each gypsum board shall be supported by a single length of furring channel equal to the width of the gypsum board plus 6 in. on each end. The two furring channels at each butt joint shall be spaced approximately 3-1/2 in. OC, and be attached to the bottom chord of the truss with one RSIC-1 clip at each end of the channel. Screw spacing along the gypsum board butt joint shall be 8 in. OC. Outer layer secured to furring channels using 1-5/8 in. long No. 6 Type S screws spaced 8 in. OC and 1-1/2 in. from the end joint. Butted end joints to be offset a min. of 8 in. from base layer end joints. Butted side joints of outer layer to be offset min. 18 in. from butted side joints of base layer. When **Steel Framing Members** (Item 3C) are used, two layers of nom 5/8 in. thick, 4 ft wide are installed with long dimensions perpendicular to furring channels. Base layer attached to the furring channels using 1 in. long No. 6 Type S bugle-head steel screws spaced 12 in. OC in the field of the board. Butted end joints shall be staggered min 2 ft. within the assembly, and occur midway between the continuous furring channels. Each end of each gypsum board shall be supported by a single length of furring channel equal to the width of the gypsum board plus 6 in. on each end. The two furring channels shall be spaced approximately 4 in. OC, and be attached to underside of the truss with one Isomax clip at each end of the channel. Screw spacing along the gypsum board butt joint shall be 8 in. OC. Outer layer attached to the furring channels using 1-5/8 in. long No. 6 Type S bugle-head steel screws spaced 12 in. OC in the field. The end of the outer layer boards at the butt joint shall be attached to the base layer boards with 1-5/8 in. long Type G screws spaced 8 in. OC and 1-1/2 in. from the end joint. Butted end joints to be offset a min of 8 in. from base layer end joints. Butted side joints of outer layer to be offset min 18 in. from butted side joints of base layer. When **Steel Framing Members** (Item 3D) are used, one layer of nom 5/8 in. thick, 4 ft wide gypsum board is installed with long dimensions perpendicular to furring channels. Gypsum board secured to furring channels with nom 1 in. long No. 6 Type S bugle-head steel screws spaced 12 in. OC in the field of the board. Gypsum board butted end joints shall be staggered minimum 16 in. within the assembly. . At the gypsum board butt joints, each end of each gypsum board shall be supported by a single length of furring channel equal to the width of the gypsum board plus 6 in. on each end. These additional furring channels shall be attached to underside of the truss with Genie clips as described in Item 3D. Screw spacing along the gypsum board butt joint shall be 6 in. OC. When **Steel Framing Members** (Item 3E) are used, one layer of nom 5/8 in. thick, 4 ft wide gypsum board is installed with long dimensions perpendicular to furring channels. Gypsum board secured to furring channels with nom 1 in. long Type S bugle-head steel screws spaced 8 in. OC in the field of the board. Gypsum board butted end joints shall be staggered minimum 48 in. and centered over main furring channels. At the gypsum board butt joints, each end of each gypsum board shall be supported by a single length of furring channel equal to the width of the gypsum board plus 3 in. on each end. The two support furring channels shall be spaced approximately 3 in. in from joint. Screw spacing along the

gypsum board butt joint and along both additional channels shall be 8 in. OC. Additional screws shall be placed in the adjacent section of gypsum board into the aforementioned 3 in. extension of the extra butt joint channels as well as into the main channel that runs between . Butt joint furring channels shall be attached with one RESILMOUNT Sound Isolation Clip at each end of the channel. When **Fiber, Sprayed** (Items 6 or 6A) is used, two layers of nom 5/8 in. thick, 4 ft wide gypsum board are installed with long dimensions perpendicular to furring channels. Base layer gypsum board secured with 1 in. long No. 6 Type S bugle head steel screws spaced 12 in. OC and located a min of 1-1/2 in. from side and end joints. End joints secured to both resilient channels as shown in the end joint detail. Outer layer gypsum board secured with 1-5/8 in. long No. 6 Type S bugle head steel screws spaced 12 in. OC and located a min of 1-1/2 in. from side and end joints. Outer layer shall be finished as described in Item 5. When **Foamed Plastic** insulation (Item 7E) is applied to the underside of the subflooring, screw spacing shall be reduced to 8 in. OC with minimum 1-1/4 in. long Type S screws to install gypsum to the resilient channels (Item 3A). Resilient channels (Item 3A) to be spaced maximum 12 in. OC. Butted end joints shall be staggered min. 2 ft within the assembly, and occur midway between the continuous furring channels. End joints secured to both resilient channels as shown in end joint detail.

When **Steel Framing Members** (Item 3E) are used, one layer of nom 5/8 in. thick, 4 ft wide gypsum board is installed with long dimensions perpendicular to furring channels. Gypsum board secured to furring channels with nom 1 in. long Type S bugle-head steel screws spaced 8 in. OC in the field of the board. Gypsum board butted end joints shall be staggered minimum 48 in. and centered over main furring channels. At the gypsum board butt joints, an additional single length of furring channel shall be installed and be spaced approximately 3 in. from the butt joint (6 in. from the continuous furring channels) to support the floating end of the gypsum board. Each of these shorter sections of furring channel shall extend one truss beyond the width of the gypsum panel and be attached to the adjacent trusses with one SonusClip at every truss involved with the butt joint.

When **Steel Framing Members\*** (Item 3I) are used, one layer of 5/8 in. thick, 48 in. wide gypsum board, installed with long dimension perpendicular to cross channels with side joints centered along main runners. Gypsum board fastened to cross channels with 1 in. long No. 8 Type S bugle head steel screws located 1/2 in. from end joints and 1-3/4 in. from side joints and spaced 8 in. OC along the end joints and in the field. Panels fastened to cross tees with 1 in. long, Type S bugle-head screws spaced in the field and 8 in. OC along end joints. Panels fastened to main runners with 1 in. long, Type S bugle-head screws spaced midway between cross tees. Screws along sides and ends of panels spaced 3/8 to 1/2 in. from panel edge. Gypsum board sheets screw attached to leg of wall angle with 1 in. long No. 8 Type S bugle head steel screws spaced 12 in. OC. End joints of panels shall be staggered with spacing between joints on adjacent panels not less than 4 ft OC.

When **Steel Framing Members** (Item 3J) are used, one layer of nom 5/8 in. thick, 4 ft wide gypsum board is installed with long dimensions perpendicular to resilient channels. Gypsum board secured to resilient channels with nom 1 in. long Type S bugle-head steel screws spaced 8 in. OC in the field of the board and located 3/4 in. from side joints and 1-1/2 in. from end joints. Gypsum board joints are to be staggered by a minimum of 24 in.

When **Steel Framing Members** (Item 3M) are used, nom 5/8 in. thick, 4 ft wide gypsum board, installed as described in Item 4. Adjacent butt joints staggered minimum 48 in. OC.

When **Steel Framing Members** (Item 3N) are used, nom 5/8 in. thick, 4 ft wide gypsum board, installed as described in Item 4. Butt joints staggered minimum 24 in. OC.

**AMERICAN GYPSUM CO** — Type AG-C

**CERTAINEED GYPSUM INC** — Type C

**CGC INC** — Types C, IP-X2, IPC-AR

**CERTAINEED GYPSUM INC** — Type LGFC-C/A

**GEORGIA-PACIFIC GYPSUM L L C** — Types 5, DAPC, TG-C

**NATIONAL GYPSUM CO** — Types eXP-C, FSK-C, FSW-C, FSW-G

**PABCO BUILDING PRODUCTS L L C, DBA PABCO GYPSUM** — Type C

**THAI GYPSUM PRODUCTS PCL** — Type C

**UNITED STATES GYPSUM CO** — Types C, IP-X2, IPC-AR

**USG BORAL DRYWALL SFZ LLC** — Type C

**USG MEXICO S A DE C V** — Types C, IP-X2, IPC-AR

4A. **Gypsum Board** — For use when Item 3C is used and **Batts and Blankets\*** are secured to the plywood subfloor, to the trusses or draped over the furring channel/gypsum panel ceiling membrane as described in Item 3C. For method of gypsum board installation, see Item 4.

**CGC INC** — Types C, IP-X2, IPC-AR

**UNITED STATES GYPSUM CO** — Types C, IP-X2, IPC-AR

**USG BORAL DRYWALL SFZ LLC** — Type C

**USG MEXICO S A DE C V** — Types C, IP-X2, IPC-AR

4B. **Gypsum Board\*** — For use when **Batts and Blankets\*** (Item 7A) and Resilient Channels (Item 3F) are used. Nom 5/8 in. thick, 4 ft wide gypsum board installed with long dimension perpendicular to resilient channels. Nom 1 in. long No. Type S bugle head screws are driven through channel spaced 8 in. OC. End joints of gypsum board similarly fastened to additional resilient channels positioned at end joint locations.

**AMERICAN GYPSUM CO** — Type AG-C.

**CERTAINTED GYPSUM INC** — Type LGFC-C/A

**PABCO BUILDING PRODUCTS L L C, DBA PABCO GYPSUM** — Type C

4C. **Gypsum Board\*** — For use with Items 3G and 7C or 3I and 7F, or 3I and 7C. Nom 5/8 in. thick, 48 in. wide gypsum panels installed with long dimension perpendicular to resilient channels. Gypsum panels secured with 1 in. long Type S bugle head steel screws spaced 8 in. OC and located a min of 1/2 in. from side joints and 3 in. from the end joints. Finish Rating with this ceiling system is 20 min.

**CGC INC** — Type ULIX

**UNITED STATES GYPSUM CO** — Type ULIX

4D. **Gypsum Board\*** — For use when Flooring System (Item 1) consists of both System No. 1 and min 15/32 in. plywood, min grade "Underlayment" or "Sturd-I-Floor" with T & G edges and conforming with PS1-83 specifications, or min 3/4 in. thickness of any Floor Topping Mixture (CCOX) bearing the UL Classification Marking as to Fire Resistance, min Truss depth (Item 2) is 18 in. and Batts and Blankets (Item 7D) and Resilient Channels (Item 3A) are used. One layer of nom 5/8 in. thick, 48 in. wide gypsum board installed with long dimension perpendicular to resilient channels. Gypsum board secured with 1 in. long Type S bugle head steel screws. Screws spaced 1 in. from side joints, and 12 in. OC in the rest of the field. Screws spaced 1-1/2 in. from the end joints. End joints secured to both resilient channels as shown in end joint detail. When batt insulation (Item 7D) is draped over the resilient channel/gypsum board ceiling membrane, the resilient channel (Item 3A) spacing shall be reduced to 12 in. OC., and gypsum board screws spaced 1 in. from side joints, and 8 in. OC in the rest of the field. For use only with Ceiling Damper described in Item 9R.

**PANEL REY S A** — Type PRC2

4F. **Gypsum Board\*** — For use with Items 3K, 3L, and 7G— One layer of nom 5/8 in. thick, 4 ft wide gypsum board is installed with long dimensions perpendicular to resilient channels. Gypsum board



secured to resilient channels with min nom 1 in. long Type S bugle-head steel screws spaced 8 in. OC in the field of the board and located 3/4 in. from side joints and 1-1/2 in. from end joints. Gypsum board butt joints are to be staggered by a minimum of 24 in.

**PABCO BUILDING PRODUCTS L L C, DBA PABCO GYPSUM** — Type C

4G. **Gypsum Board\*** — For use with Items 3G and 7C. Nom 5/8 in. thick, 48 in. wide gypsum panels installed with long dimension perpendicular to resilient channels. Gypsum panels secured with 1 in. long Type S bugle head steel screws spaced 8 in. OC and located a min of 1/2 in. from side joints and 3 in. from the end joints.

**AMERICAN GYPSUM CO** — Type AG-C.

5. **Finishing System** — (Not Shown) — Vinyl, dry or premixed joint compound, applied in two coats to joints and screw-heads. Nom 2 in. wide paper tape embedded in first layer of compound over all joints. As an alternate, nom 3/32 in. thick veneer plaster may be applied to the entire surface of gypsum board.

6. **Fiber, Sprayed\*** — (Dry Dense Packed 100% Borate Formulation) — (Not Shown, Optional) — The fiber is applied without water or adhesive at a nominal dry density of 3.5 lb/ft<sup>3</sup>, in accordance with the application instructions supplied with the product. When Item 6 (Fiber, Sprayed, Dry Dense Packed) is used, Furring Channels (Item 3F) or Resilient Channels (Item 3A) spacing shall be reduced to 12 in. OC. When Item 6 (Fiber, Sprayed, Dry Dense Packed) is used, two layers of gypsum board required as described in Item 4. Not evaluated for use with Item 3C.

**APPLEGATE GREENFIBER ACQUISITION LLC** — INS735, INS745, INS750LD, INS765LD, INS773LD, Insulmax, and SANCTUARY to be used with dry application only.

6A. **Fiber, Sprayed\*** — (Loose Fill 100% Borate Formulation) — (Not Shown, Optional) — The finished rating when Fiber, Sprayed is used has not been determined. The fiber is applied without water or adhesive at a minimum dry density of 0.5 lb/ft<sup>3</sup> and at a max thickness of 3-1/2 in., in accordance with the application instructions supplied with the product. When Item 6A (Fiber, Sprayed, Loose Fill) is used, Furring Channels (Item 3F) or Resilient Channels (Item 3A) spacing shall be reduced to 12 in. OC. When Item 6A (Fiber Sprayed, Loose Fill) is used, two layers of gypsum board required as described in Item 4. Not evaluated for use with Item 3C.

**APPLEGATE GREENFIBER ACQUISITION LLC** — INS735, INS745, INS750LD, INS765LD, INS773LD, Insulmax, & SANCTUARY to be used with dry application only.

7. **Batts and Blankets\*** — (Not Shown) — For use with Item 3D — Nom 3 in. thick mineral wool insulation held suspended in the concealed space with 0.090 in. diam galv steel wires attached to the wood trusses at 18 in. OC.

7A. **Batts and Blankets\*** — For Use With Items 3F and 4B — Glass fiber insulation bearing the UL Classification Marking as to Surface Burning Characteristics and/or Fire Resistance having a min. density of 0.5 pcf, draped over the resilient channel/gypsum panel ceiling membrane. No limit on overall thickness.

7B. **Batts and Blankets\*** — (Not Shown) — For use with Item 3E — Nom 3-1/2 in. thick, min. 2 pcf fiber glass insulation held suspended in the concealed space with nominal 0.090 in. diam galv steel wires attached to the wood trusses at nominally 16 in. OC.

**7C. Batts and Blankets\* or Fiber, Sprayed\*** — For Use with Item 4C (Not Shown) — Min. 3-1/2 in thick with no limit on maximum thickness fitted in the concealed space, draped over the resilient channel (Item 3G)/gypsum board (Item 4C or 4G) ceiling membrane.

**7D. Batts and Blankets\*** — For Use With Item 4D — Insulation may be secured to plywood subfloor with staples spaced 12 in. OC or to the trusses with 0.090 in. diam galv steel wires spaced 12 in. OC. Insulation may alternatively be draped over the resilient channels and gypsum board ceiling membrane, and the resilient channels and gypsum board attachment shall be modified as specified in Item 4D. Any glass fiber insulation bearing the UL Classification Marking for Surface Burning Characteristics and/or Fire Resistance, and having a min density of 0.5 pcf and max thickness of 3-1/2 in. may be used.

**7E. Foamed Plastic\*** — (As alternate to Item 6 and 6A, Not Shown) — Spray foam insulation applied directly to the underside of the plywood subflooring. Spray foam insulation installed to a maximum thickness of 10 in. at a nominal 0.5 lb/ft<sup>3</sup> or 2.0 lb/ft<sup>3</sup> density, depending on the product installed. Spray foam insulation is limited to use with minimum 18 in. deep trusses (Item 2). When spray foam insulation is installed, resilient channels (Item 3A) shall be installed maximum 12 in. OC, with channels adjacent to butt joints of gypsum board (Item 4) spaced maximum 3 in. away from gypsum butt joints. Gypsum board (Item 4) to be installed using minimum 1-1/4 in. long Type S screws, spaced maximum 8 in. OC, and butted end joints shall be staggered min. 2 ft within the assembly, and occur midway between the continuous furring channels. If used with a ceiling damper (Item 9) in the concealed space, minimum 1 in. clearance to be maintained between damper housing and spray foam insulation. Not evaluated for use with Items 3, 3B through 3F, 3G, 6, 6A, 7 through 7D. Not evaluated with Flooring System (Item 1) Configuration No. 1.

**BASF CORP** — Enertite® NM, Enertite® G, FE178®, Spraytite® 178, Spraytite® 81206, Walltite® 200, Walltite® US, Walltite® US-N, and Walltite® HP+

**7F. Batts and Blankets\*** — (Not Shown) For Use with Item 3I and 4C — Glass fiber or mineral wool insulation bearing the UL Classification Marking as to Surface Burning Characteristics and/or Fire Resistance. There is no limit in the overall thickness of insulation, and the insulation can be secured against the subflooring, held suspended in the concealed space or draped over the Steel Framing Members and gypsum panel membrane.

**7G. Batts and Blankets\*** — (Not Shown) For Use with Item 3L, 3K, and 4F — Glass fiber or mineral wool insulation bearing the UL Classification Marking as to Surface Burning Characteristics and/or Fire Resistance. There is no limit in the overall thickness of insulation, and the insulation can be secured against the subflooring, held suspended in the concealed space or draped over the Steel Framing Members and gypsum panel membrane.

**7H. Foamed Plastic\*** — (As alternate to Items 6 and 7 - not to be used in combination with any alternates to items 6 and 7) — Spray foam insulation applied directly to the underside of the plywood subflooring. Spray foam insulation installed to a maximum thickness of 11 in. at a nominal 1.0 lb/ft<sup>3</sup> - 2.5 lb/ft<sup>3</sup> density, while maintaining a minimum 7 in. clearance between the spray foam insulation and the gypsum board (Item 4). Spray foam insulation is limited for use with minimum 18 in. deep trusses (Item 2). When spray foam insulation is installed, resilient channels (Item 3A) shall be installed maximum 12 in. OC, with channels adjacent to butt joints of gypsum board spaced maximum 3 in. away from gypsum butt joints. Gypsum board to be installed using minimum 1-1/4 in. long Type S screws, spaced maximum 8 in. OC, and butted end joints shall be staggered min. 2 ft

within the assembly, and occur midway between the continuous furring channels. If used with a ceiling damper (Item 9) in the concealed space, no clearance is necessary between damper housing and spray foam insulation. Only for use with item 3A not evaluated for use with alternates to item 3A.

**CARLISLE SPRAY FOAM INSULATION** — Types SealTite Pro Closed Cell (CC), SealTite Pro Open Cell (OC), SealTite Pro OCX, SealTite Pro No Trim 21, SealTite Pro One Zero, SealTite PRO HFO, Foamsulate Closed Cell, Foamsulate OCX, Foamsulate 70, Foamsulate HFO, and Foamsulate HFO 2.0.

7I. **Batts and Blankets\*** — (Not Shown - Required as indicated with Flooring System No. 26) - Glass fiber insulation bearing the UL Classification Marking as to Surface Burning Characteristics and/or Fire Resistance. Min. 3-1/2 in. thick, 0.92 pcf density, draped over the resilient or furring channels and gypsum panel membrane. Resilient or furring channels to be spaced 12 in. OC with extra channels installed at butt joints as indicated above.

8. **Air Duct\*** — (Optional) — Any UL Class 0 or Class 1 flexible air duct installed in accordance with the instructions provided by the damper manufacturer.

9. **Ceiling Damper\*** — (Optional. To be used with Air Duct Item 8.) — For use with min. 18 in. deep trusses. Not for use with flooring system 1 or 17. Max. nom area shall be 349 sq in. Max. overall length and width shall not exceed 18-11/16 in. by 18-11/16 in. with max. 16 in. by 16 in. register opening. Aggregate damper openings shall not exceed 175 sq in. per 100 sq ft of ceiling area. Damper installed in accordance with the manufacturers installation instructions provided with the damper. An aluminum or steel grille (Item 10) shall be installed in accordance with installation instructions.

**MIAMI TECH INC** — Model Series RxCRD, RxCRDS or RxCRPD

9A. **Alternate Ceiling Damper\*** — (Optional. To be used with Air Duct Item 8.) — For use with min. 18 in. deep trusses. Not for use with flooring system 1 or 17. Max damper assembly size nom 18 in. long by 18 in. wide and 4-1/4 in. high, or 8 in. diam. fabricated from galv steel. Aggregate damper openings shall not exceed 162 sq in. per 100 sq ft of ceiling area. Damper installed in accordance with the manufacturers installation instructions provided with the damper.

**RUSKIN COMPANY** — Model CFD7T, CFD7T-END-BT, CFD7T-90-BT, CFD7T-ST-BT, CFD7T-SB, CFD7T-R6-DB, CFD-7T-IB6 or CFDR7T

9B. Deleted.

9C. **Alternate Ceiling Damper\*** — (Optional. To be used with Air Duct Item 8.) — For use with min. 18 in. deep trusses. Not for use with flooring system 1 or 17. Max 12 in. diameter damper with insulated register box assembly. The maximum size of the register box assembly is nom. 20 in. long by 20 in. wide and 4 in. high fabricated from galv steel. Aggregate area of the register opening(s) through the ceiling membrane shall not exceed 128 sq in. per 100 sq ft of ceiling area. Damper assembly installed in accordance with the manufacturers installation instructions.

**AIRE TECHNOLOGIES INC** — Series 57

9D. **Alternate Ceiling Damper\*** — (Optional. To be used with Air Duct Item 8.) — For use with min. 18 in. deep trusses. Not for use with flooring system 1 or 17. Max 20 in. long by 16 in. wide by 4 in. high rectangular damper with duct board plenum box assembly. The maximum outer dimensions of the plenum box assembly are 23-1/2 in. long by 19-1/2 in. wide and 17 in. high fabricated from 6pcf, 1-1/2 to 2 in. thick Knauf Air Duct Board M\*. Aggregate area of the register opening(s) through the

ceiling membrane shall not exceed 160 sq in. per 100 sq ft ceiling area. Damper assembly installed in accordance with the manufacturers installation instructions.

**AIRE TECHNOLOGIES INC** — Series 58

9E. **Alternate Ceiling Damper\*** — (Optional. To be used with Air Duct Item 8.) — For use with min. 18 in. deep trusses. Not for use with flooring system 1 or 17. Max 14 in. long by 14 in. wide by rectangular damper with 90° boot. The maximum size of damper/boot assembly is 14 in. long by 14 in. wide and 18 in. high fabricated from galv steel. The aggregate area of the register opening(s) through the ceiling membrane shall not exceed 98 sq in. per 100 sq ft ceiling area. Damper assembly installed in accordance with the manufacturers installation instructions.

**AIRE TECHNOLOGIES INC** — Models 50 w/ Boot, 50EA w/ Boot, 51 w/Boot, 50 w/ Box, 50EA w/ Box or 51 w/Box

9F. **Alternate Ceiling Damper\*** — (Optional. To be used with Air Duct Item 8.) — For use with min 18 in. deep trusses Not for use with flooring system 1 or 17. Max plenum box size nom 19 in. long by 19 in. wide and 11-7/8 in. high fabricated from galv steel. Aggregate damper openings shall not exceed 128 sq in. per 100 sq ft of ceiling area. Damper installed in accordance with the manufacturers installation instructions provided with the damper.

**LLOYD INDUSTRIES INC** — Model CRD 50-BT, CRD 50-EA-BT, CRD 55-BT, CRD 55 EA-BT

**UNITED ENERTECH CORP** — Model C-S/R-WT-L, C-S/R-EA-L, C-S/R-BT, C-S/R-EA-BL

9G. **Alternate Ceiling Damper\*** — (Optional. To be used with Air Duct Item 8). For use with min 18 in. deep trusses Not for use with flooring system 1 or 17. Max plenum box size nom 13 in. long by 13 in. wide and 11-7/8 in. high fabricated from galv steel. Aggregate damper openings shall not exceed 50 sq in. per 100 sq ft of ceiling area. Damper installed in accordance with the manufacturers installation instructions provided with the damper.

**LLOYD INDUSTRIES INC** — Model CRD 50-BT-6, CRD 50-EA-BT-6, CRD 55-BT-6, CRD 55 EA-BT-6

9H. **Alternate Ceiling Damper\*** — (Optional. To be used with Air Duct Item 8). Ceiling damper & fan assembly for use with min 18 in. deep trusses. Not for use with flooring system 1 or 17. Max nom area shall be 103 sq in. with the length not to exceed 10-1/8 in. and the width not to exceed 10-1/8 in. Aggregate damper openings shall not exceed 52 sq in. per 100 sq ft of ceiling area. Damper shall be installed in combination with one of the fan models described in, and in accordance with, the manufacturer's installation instructions provided with the damper. A plastic grille (Item 10) shall be installed in accordance with installation instructions.

**PANASONIC CORPORATION, PANASONIC CORPORATION OF NORTH AMERICA** — Model PC-RD05C5

9I. **Alternate Ceiling Damper\*** — (Optional. To be used with Air Duct Item 8). Ceiling damper & fan assembly for use with min 18 in. deep trusses. Not for use with flooring system 1 or 17. Max nom area shall be 113 sq in. with the length not to exceed 10-1/8 in. and the width not to exceed 11-1/8 in. Aggregate damper openings shall not exceed 57 sq in. per 100 sq ft of ceiling area. Damper shall be installed in combination with one of the fan models described in, and in accordance with, the manufacturer's installation instructions provided with the damper. A plastic grille (Item 10) shall be installed in accordance with installation instructions.

**BROAN-NUTONE L L C** — Model RDFUWT

9J. **Alternate Ceiling Damper\*** — (Optional. To be used with Air Duct Item 8). Ceiling damper & fan assembly for use with min 18 in. deep trusses. Not for use with flooring system 1 or 17. Max nom area shall be 79 sq in. with the length not to exceed 10 in. and the width not to exceed 7-15/16 in. Aggregate damper openings shall not exceed 40 sq in. per 100 sq ft of ceiling area. Damper shall be installed in combination with one of the fan models described in, and in accordance with, the manufacturer's installation instructions provided with the damper. A metallic grille (Item 10) shall be installed in accordance with installation instructions.

**BROAN-NUTONE L L C** — Models RDJ1 and RDH

9K. **Alternate Ceiling Damper\*** — (Optional. To be used with Air Duct Item 8). For use with min 18 in. deep trusses. Not for use with flooring system 1 or 17. Max plenum box size nom 19 in. long by 19 in. wide and 11-7/8 in. high fabricated from galv steel. Aggregate damper openings shall not exceed 128 sq in. per 100 sq ft of ceiling area. Damper installed in accordance with the manufacturer's installation instructions provided with the damper.

**METAL-FAB INC** — Models MSCD-HC and MRCD-HC

9L. **Alternate Ceiling Damper\*** — (Optional, To be used with Air Duct Item 8). Ceiling damper & fan assembly for use with min 18 in. deep trusses. Not for use with flooring system 1 or 17. Max nom area shall be 87 sq in. with the length not to exceed 9 in. and the width not to exceed 9-11/16 in. Aggregate damper openings shall not exceed 44 sq in. per 100 sq ft of ceiling area. Damper shall be installed in combination with one of the fan models described in, and in accordance with, the manufacturer's installation instructions provided with the damper. A plastic grille (Item 10) shall be installed in accordance with installation instructions.

**BROAN-NUTONE L L C** — Model RDMWT

9M. **Alternate Ceiling Damper\*** — Ceiling damper & fan assembly for use with min 18 in. deep trusses. Max nom area shall be 87 sq in. with the length not to exceed 9 in. and the width not to exceed 9-11/16 in. Aggregate damper openings shall not exceed 44 sq in. per 100 sq ft of ceiling area. Damper shall be installed in combination with one of the fan models described in, and in accordance with, the manufacturer's installation instructions provided with the damper. A plastic grille (Item 10) shall be installed in accordance with installation instructions.

**BROAN-NUTONE L L C** — Model RDMWT2

9N. **Alternate Ceiling Damper\*** — (Optional. To be used with Air Duct Item 8) — For use with min 18 in. deep trusses. Not for use with flooring system 1 or 17. Max nom 21 in. long by 18 in. wide, fabricated from galvanized steel. Plenum box max size nom 21 in. long by 18 in. wide by 14 in. high (inner dimension) fabricated from either galvanized steel or min 1 in. thick Listed Duct Board bearing the UL Listing Marking having a min R-Value of 4.3. Installed in accordance with the instructions provided by the manufacturer. Max damper openings not to exceed 180 sq in. per 100 sq ft of ceiling area.

**GREENHECK FAN CORP** — Model CRD-1WT

9O. **Alternate Ceiling Damper\*** — (Optional. To be used with Air Duct Item 8) — For use with min 18 in. deep trusses. Not for use with flooring system 1 or 17. Max nom 12 in. long by 12 in. wide with an 8 in. diameter damper, fabricated from galvanized steel. Installed in accordance with the

instructions provided by the manufacturer. Max damper openings not to exceed 72 sq in. per 100 sq ft of ceiling area.

**GREENHECK FAN CORP** — Model CRD-2WT

9P. **Alternate Ceiling Damper\*** — For use with min 18 in. deep trusses. Not for use with flooring system 1 or 17. Max nom area shall be 324 sq in. with the length not to exceed 24 in. and the width not to exceed 20 in. Max height of damper shall be 14 in. Aggregate damper openings shall not exceed 162 sq in. per 100 sq ft of ceiling area. Damper installed in accordance with the manufacturers installation instructions provided with the damper. A steel grille (Item 10) shall be installed in accordance with installation instructions.

**C&S AIR PRODUCTS** — Model RD-521

**POTTORFF** — Model CFD-521

9Q. **Alternate Ceiling Damper\*** — For use with min 18 in. deep trusses. Not for use with flooring system 1 or 17. Max nom area shall be 196 sq in. with the length not to exceed 26 in. and the width not to exceed 14 in. Max height of damper shall be 7 in. Aggregate damper openings shall not exceed 98 sq in. per 100 sq ft of ceiling area. Damper installed in accordance with the manufacturers installation instructions provided with the damper. A steel grille (Item 10) not to exceed 144 in.<sup>2</sup> shall be installed in accordance with installation instructions.

**C&S AIR PRODUCTS** — Model RD-521-BT

**POTTORFF** — Model CFD-521-BT

9R. **Alternate Ceiling Damper\*** — For use with min 18 in. deep trusses. Not for use with flooring system 1 or 17. Max nom area shall be 256 sq in. with the length not to exceed 24 in. and the width not to exceed 20 in. Max height of damper shall be 17 in. Aggregate damper openings shall not exceed 128 sq in. per 100 sq ft of ceiling area. Damper installed in accordance with the manufacturers installation instructions provided with the damper. A steel grille (Item 10) shall be installed in accordance with installation instructions.

**C&S AIR PRODUCTS** — Models RD-521-IP, RD-521-NP

**POTTORFF** — Models CFD-521-IP, CFD-521-NP

9S. **Alternate Ceiling Damper\*** — For use with min 18 in. deep trusses. Not for use with flooring system 1 or 17. Max nom area shall be 144 sq in. with the length not to exceed 14 in. and the width not to exceed 12 in. Max height of damper shall be 17-7/8 in. Aggregate damper openings shall not exceed 74 sq in. per 100 sq ft of ceiling area. Damper installed in accordance with the manufacturers installation instructions provided with the damper. A steel grille (Item 10) shall be installed in accordance with installation instructions.

**C&S AIR PRODUCTS** — Models RD-521-90, RD-521-NP90

**POTTORFF** — Models CFD-521-90, CFD-521-90NP

9T. **Alternate Ceiling Damper\*** — (Optional. To be used with Air Duct Item 8.) — For use with min 18 in. deep trusses. For use with Item 4D only. Not for use with flooring system 1. Maximum 20 in. long by 18 in. wide by 2-1/8 in. high, fabricated from galvanized steel. Plenum box maximum size nom. 21 in. long by 18 in. wide by 16 in. high fabricated from either galvanized steel or Classified Air Duct Materials bearing the UL Class 0 or Class 1 rigid air duct material. Installed in accordance with the instructions provided by the manufacturer. Max damper openings not to exceed 180 sq in. per 100 sq ft of ceiling area.

**NAILOR INDUSTRIES INC** — Types 0755, 0755A, 0756, 0756D, 0757, 0757D, 0757FP, 0757DFP, 0763

**SAFE AIR DOWCO** — 0455, 0455A, 0456, 0456D, 0457, 0457D, 0457-DB, 0457-CB, 0463-FB, 0457-EB, 0463-GB, 0463

9U. **Alternate Ceiling Damper\*** — (Optional, to be used with Air Duct Item 8) For use with min 18 in. deep trusses. Max nom 11-1/8 in. long by 13-5/8 in. wide, fabricated from galvanized steel. Installed in accordance with the instructions provided by the manufacturer. Max damper openings not to exceed 76 sq in. per 100 sq ft of ceiling area.

**GREENHECK FAN CORP** — Model CRD-310WT

9V. **Alternate Ceiling Damper\*** — (Optional, to be used with Air Duct Item 8) For use with min 18 in. deep trusses. Max nom 12-3/8 in. long by 14-1/2 in. wide, fabricated from galvanized steel. Installed in accordance with the instructions provided by the manufacturer. Max damper openings not to exceed 90 sq in. per 100 sq ft of ceiling area.

**GREENHECK FAN CORP** — Model CRD-320WT

9W. **Alternate Ceiling Damper\*** — — (Optional, to be used with Air Duct Item 8) For use with min. 18 in. deep trusses. Not for use with flooring system 1 or 17. Max 12 in. diameter damper within max 15 in. by 15 in. register box with max 12 in. by 12 in. register opening fabricated from galvanized steel. Aggregate area of the register opening(s) through the ceiling membrane shall not exceed 72 sq. in. per 100 sq. ft. of ceiling area. Damper assembly installed in accordance with the manufacturer's installation instructions.

**RUSKIN COMPANY** — Model CFD7T-SR

9X **Ceiling Damper\*** — (Optional. To be used with Air Duct Item 8.) — For use with min. 18 in. deep trusses. Not for use with flooring system 1 or 17. Max 12 in. diameter damper and insulated register box assembly. The maximum size of the register box assembly is nom. 20 in. long by 20 in. wide and 4 in. high fabricated from galv steel. The aggregate area of the register opening(s) through the ceiling membrane shall not exceed 128 sq in. per 100 sq ft of ceiling area. Damper assembly installed in accordance with the manufacturers installation instructions.

**SOUTHWARK METAL MFG CO** — Model 800 w/Box

9Y **Alternate Ceiling Damper\*** — (Optional. To be used with Air Duct Item 8.) — For use with min. 18 in. deep trusses. Not for use with flooring system 1 or 17. Max 20 in. long by 16 in. wide by 4 in. high rectangular damper with plenum box assembly. The maximum outer dimensions of the plenum box assembly are 23-1/2 in. long by 19-1/2 in. wide and 17 in. high fabricated from 6pcf, 1-1/2 to 2 in. thick Knauf Air Duct Board M\*. The aggregate area of the register opening(s) through the ceiling

membrane shall not exceed 160 sq in. per 100 sq ft ceiling area. Damper assembly installed in accordance with the manufacturers installation instructions.

**SOUTHWARK METAL MFG CO** — CRD w/DB Box

9Z **Alternate Ceiling Damper\*** — (Optional. To be used with Air Duct Item 8.) — For use with min. 18 in. deep trusses. Not for use with flooring system 1 or 17. Max 14 in. long by 14 in. wide and 18 in. high ceiling damper with boot or box assembly, fabricated from galv steel. The aggregate area of the register opening(s) through the ceiling membrane shall not exceed 98 sq in. per 100 sq ft of ceiling area. Damper assembly installed in accordance with the manufacturers installation instructions.

**SOUTHWARK METAL MFG CO** — Model 500 w/Boot, 510 w/Boot, 500 w/Box or 510 w/Box

9AA. **Alternate Ceiling Damper\*** — (Optional, to be used with Air Duct Item 8) For use with min 18 in. deep trusses. Max nom 10-3/8 in. long by 10-3/8 in. wide, fabricated from galvanized steel. Installed in accordance with the instructions provided by the manufacturer. Max damper openings not to exceed 54 sq in. per 100 sq ft of ceiling area.

**GREENHECK FAN CORP** — Model CRD-300WT

10. **Grille** — Aluminum or Steel grille, installed in accordance with the installation instructions provided with the ceiling damper.

11. **Discrete Products Installed in Air-handling Spaces\*** — Automatic Balancing Valve/Damper — (Not Shown - Optional) — For use with item 9A, Ruskin Company's Model CFD7T damper (CABS). Ceiling damper to be provided with plenum box per damper manufacturer's instructions with side outlet only. Entire assembly to be installed into any UL Class 0 or Class 1 flexible air duct in accordance with the instructions provided by the automatic balancing valve/damper manufacturer.

**NAILOR INDUSTRIES INC** — Model ABV-4, ABV-5, ABV-6

**\* Indicates such products shall bear the UL or cUL Certification Mark for jurisdictions employing the UL or cUL Certification (such as Canada), respectively.**

Last Updated on 2023-02-28