

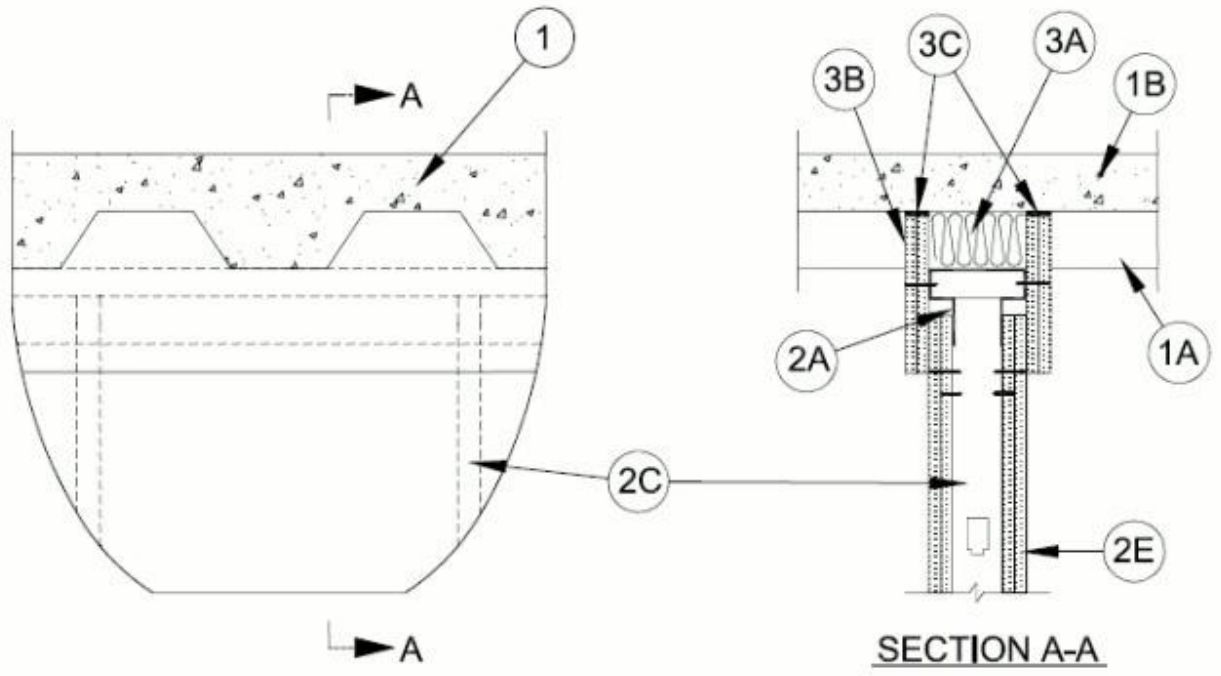
## System No. HW-D-0060

January 12, 2021

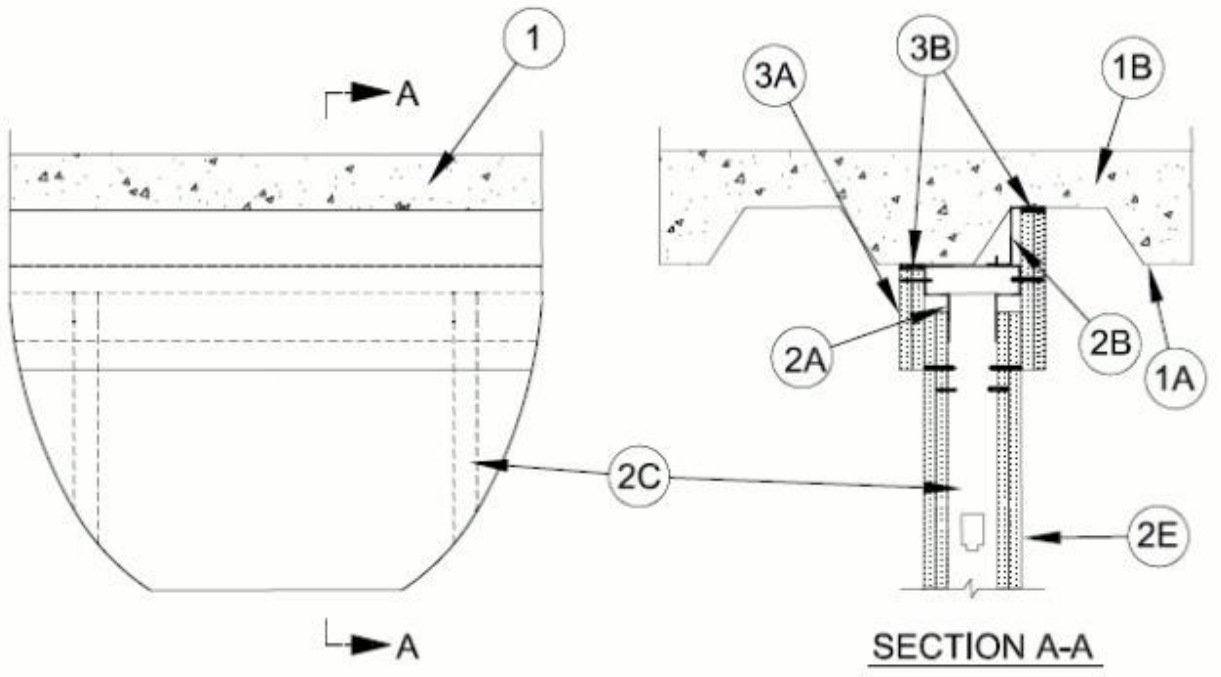
### ANSI/UL2079

### CAN/ULC S115

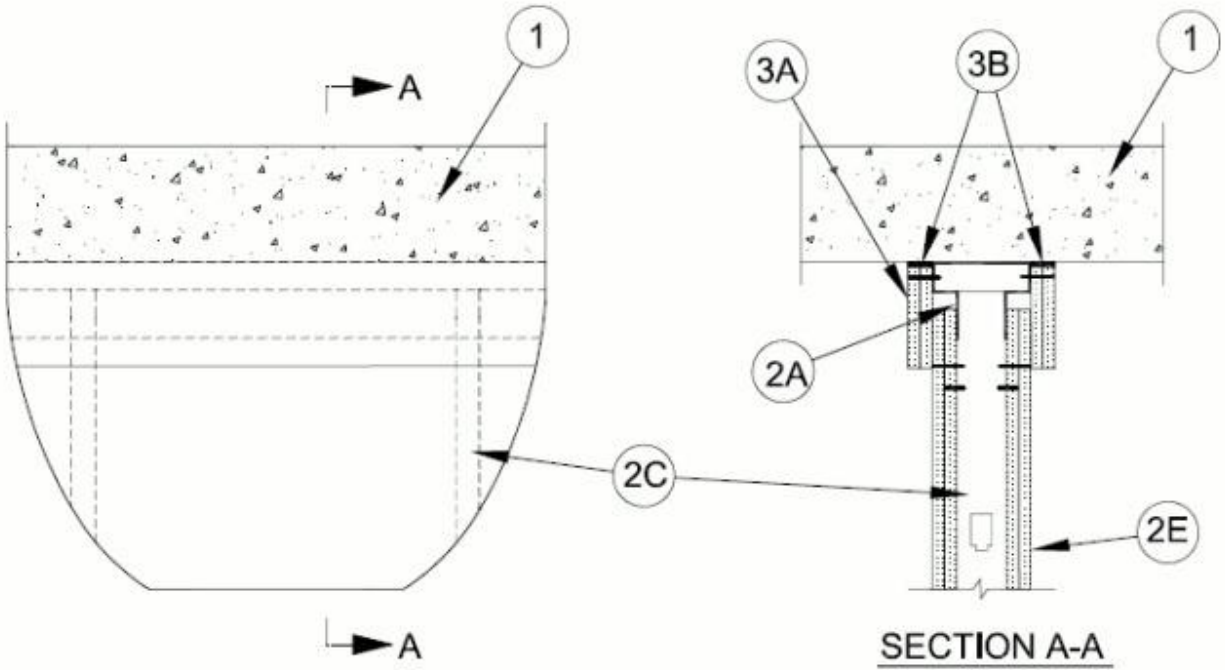
Assembly Ratings — 1, 2 and 3 Hr (See Item 2)	F Ratings — 1, 2 and 3 Hr (See Item 2)
Nominal Joint Width - 1 or 2 In. (See Item 3)	FT Ratings — 1, 2 and 3 Hr (See Item 2)
Class II or III Movement Capabilities — 100% Compression or Extension or 100% Compression (See Item 3)	FH Ratings — 1, 2 and 3 Hr (See Item 2)
L Rating At Ambient — Less Than 1 CFM/lin ft	FTH Ratings — 1, 2 and 3 Hr (See Item 2)
L Rating At 400°F — Less Than 1 CFM/lin ft	Nominal Joint Width - 25 or 51 mm (See Item 3)
	Class II or III Movement Capabilities — 100% Compression or Extension or 100% Compression (See Item 3)
	L Rating At Ambient — Less Than 5.1 L/s/m <sup>3</sup>
	L Rating At 400°F — Less Than 5.1 L/s/m <sup>3</sup>



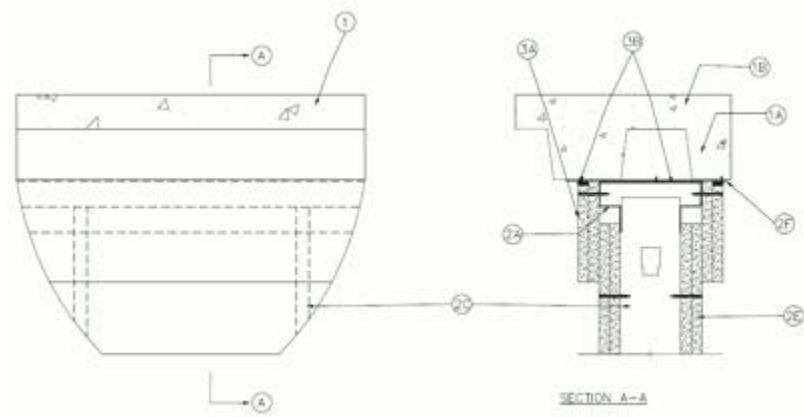
CONFIGURATION A



CONFIGURATION B



CONFIGURATION C



CONFIGURATION D

1. **Floor Assembly** — The fire-rated fluted steel deck/concrete floor assembly shall be constructed of the materials and in the manner described in the individual Floor-Ceiling Design in the UL Fire Resistance Directory. The hourly fire rating of the floor assembly shall be equal to or greater than the hourly fire rating of the wall assembly. The floor assembly shall include the following construction features:

- A. **Steel Floor and Form Units\*** — Max 3 in. (76 mm) deep galv fluted floor units.
- B. **Concrete** — Min 2-1/2 in. (64 mm) thick reinforced (100-150 pcf or 1600-2400 kg/m<sup>3</sup>) concrete, as measured from the top plane of the floor units.

1A. **Roof Assembly** — As an alternate to Item 1, the fire-rated roof assembly shall be constructed of the materials and in the manner described in the individual P700, P800 or P900 series Roof-Ceiling Designs in the UL Fire Resistance Directory and shall contain max 3 in. (76 mm) deep galv steel fluted roof units. The hourly fire rating of the roof assembly shall be equal to or greater than the hourly fire rating of the wall assembly. In the case of spray-applied protection materials on the steel roof units, the joint system shall be installed prior to the spray-applied protection material.

1B. **Floor Assembly** — As an alternate to Item 1, min 4-1/2 in. (114 mm) thick reinforced lightweight or normal weight (100-150 pcf or 1600-2400 kg/m<sup>3</sup>) structural concrete or any min 6 in. (152 mm) thick UL Classified hollow-core **Precast Concrete Units\***.

See **Precast Concrete Units** (CFTV) category in the Fire Resistance Directory for names of manufactures.

2. **Wall Assembly** — The 1, 2 or 3 hr fire-rated gypsum board /steel stud wall assembly shall be constructed of the materials and in the manner described in the individual U400, V400 or W400-Series Wall and Partition Design in the UL Fire Resistance Directory and shall include the following construction features:

A. **Light Gauge Framing\* - Deflection Trak** — Deflection trak of wall assembly shall consist of min No. 25 gauge galv steel channels sized to accommodate steel studs (Item 2C) and with offset legs to accommodate wall cladding (Item 3A). Deflection trak installed parallel or perpendicular to the floor units. When installed perpendicular (Configuration A), min No. 25 gauge deflection trak secured on both sides to valley of floor units with 1-1/2 in. (38 mm) long welds spaced max 12 in. (305 mm) OC. Min No. 20 gauge deflection trak may be secured with steel fasteners spaced 12 in. (305 mm) OC. When installed parallel (Configuration B), min No. 25 gauge deflection trak secured on one side to valley of floor units with 1-1/2 in. (38 mm) long welds spaced 12 in. (305 mm) OC. Min No. 20 gauge deflection trak may be secured with steel fasteners spaced max 12 in. (305 mm) OC. The other side of the deflection trak is secured to Z-Furring clips (Item 2B) with two No. 8 by 1/2 in. (13 mm) long tec screws. When steel plate (Item 2F) is used to cover flute immediately above wall oriented parallel to it, deflection trak secured to steel plate with two No. 8 self-drilling, self-tapping steel screws spaced 24 in. (610 mm) OC. On concrete floor (Configuration C), min No. 20 gauge deflection trak attached to concrete at ceiling with steel fasteners spaced max 12 in. (305 mm) OC.

**FIRE TRAK CORP** — Shadowline

A1. **Steel Framing Members\* — Sound Isolation Clips** — (Not Shown) — When wall is installed perpendicular to the floor or roof units, the sound isolation clips can be used as an alternate attachment means for the ceiling trak (Item 2A) to the bottom of the floor or roof assembly. Sound isolation clips to be installed in

accordance with the accompanying installation instructions and as described herein. Sound isolation clip installed through nom 1 in. (25 mm) diam hole in ceiling trak and attached to top of ceiling trak using four min No. 8 by 1/2 in. (13 mm) long self-tapping galv steel screws. Sound isolation clips to be installed adjacent to every stud location but not more than 24 in. (610 mm) OC and attached to the underside of floor or roof assembly using min 3/16 in. (5 mm) diam by 2 1/2 in. (64 mm) long steel masonry anchors.

**PAC INTERNATIONAL L L C** — Type RSIC-U-HD

**B. Z-Furring — (Parallel Units)** — When trak is installed parallel to floor units, Z-Furring clips are attached to the bottom of the floor units within the crests with two steel fasteners . Clip spacing not to exceed 24 in. (610 mm) OC.

**C. Studs** — Steel studs to be min 2-1/2 in. (64 mm) wide and as specified in the individual Wall and Partition Design in the UL Fire Resistance Directory. Studs cut 1-1/2 in. (38 mm) less in length than the assembly height with bottom nesting in and resting on floor runner and with top nesting in ceiling runner without attachment. Stud spacing not to exceed 24 in. (610 mm) OC.

**D. Framing Members\*** — (Not Shown — Optional) — When specified in the individual U400, V400 or W400 Series Wall and Partition Design, the gypsum board on one side of the wall may be secured with furring channels and Steel Framing Members as described below:

a. **Furring Channels** — Formed of No. 25 MSG galv steel. 2-9/16 in. or 2-23/32 in. wide by 7/8 in. deep, spaced max 24 in. OC perpendicular to studs. Channels secured to studs as described in Item b.

b. **Steel Framing Members\*** — Used to attach furring channels (Item C1a) to studs. Clips spaced max 48 in. OC. RSIC-1 and RSIC-1 (2.75) clips secured to studs with No. 8 x 1-1/2 in. minimum self-drilling, S-12 steel screw through the center grommet. Furring channels are friction fitted into clips. RSIC-1 clips for use with 2-9/16 in. wide furring channels. RSIC-1 (2.75) clips for use with 2-23/32 in. wide furring channels.

**PAC INTERNATIONAL L L C** — Types RSIC-1, RSIC-1 (2.75)

**E. Gypsum Board\*** — Gypsum board sheets installed and attached to studs and runners as specified in the individual Wall and Partition Design in the UL Fire Resistance Directory, except that a nominal 1 in. (25 mm) gap shall be maintained

between top of the gypsum board and the bottom flange of the deflection trak. Top row of screws shall be installed into the studs, or furring channels (Item 2D), 3 in. (76 mm) below the top edge of the gypsum board sheets.

F. **Steel Plate** — (Required for Configuration D) When wall is parallel to and directly under a flute of the floor or roof deck, a min 16MSG (0.059 in. or 1.5 mm thick) galv steel plate cut to a width to span the flute, overlapping min. 1-1/2 in. (38 mm) onto the adjacent valleys of fluted deck, shall be used for securement of the ceiling deflection track. Plate to be continuous above wall and fastened to valleys of floor or roof assembly with 1/4 in. (6 mm) diam by min 3/4 in. (19 mm) long steel actuated fasteners spaced max 24" (610 mm) OC.

**The hourly assembly rating of the joint system is equal to the fire rating of the wall.**

### *Firestop Configuration A*

**3. Joint System — Max separation between the top of the bottom flange of the deflection trak and top of gypsum board (at the time of installation of the joint system) is 1 in. (25 mm) or 2 in. (51 mm). The joint system is designed to accommodate a max 100 percent compression or extension from its installed width of 1 in. (25 mm) or 100% compression from its installed width of 2 in. (51 mm).** The joint system consists of packing material (Item 3A), wall cladding (Item 3B) and a fill material (Item 3C) as follows:

A. **Packing Material** — Min 4 pcf (64 kg/m<sup>3</sup>) density mineral wool batt insulation cut to the shape of the fluted deck, 25 percent larger than the area of the flutes and compressed into the flutes of the steel floor units above the ceiling runner as a permanent form. In addition, when sound isolation clips (Item 2A1) are used, mineral wool batt insulation, cut to a thickness 25 percent greater than the gap, shall be compressed and installed to fill the entire space between the top of the ceiling trak and the underside of the floor or roof, between and around the isolation clips, flush with both sides of the ceiling trak.

B. **Wall Cladding** — Strips of the gypsum board material cut to the contour of the steel floor units and attached to the deflection trak. The number of layers, board type and thickness and fastener type shall be as specified for the gypsum board in the individual Wall and Partition Design in the UL Fire Resistance Directory. Fasteners shall be max spaced 3 in. (76 mm) OC. The top of the wall cladding shall be recessed min 1/8 in. (3.2 mm) to max 1/2 in. (13 mm) from the steel floor units and overlap the gypsum board 4 in. (102 mm).

C. **Fill, Void or Cavity Material\*** — Full depth of fill material installed on each side of the wall between the top of the wall cladding and the surface of the steel floor units, flush with each surface of the cladding.

**3M COMPANY** — FB 1000NS, FB 2000, FB 2000+, FD-150+, CP 25 WB+

**A/D FIRE PROTECTION SYSTEMS INC** — A/D FireBarrier Seal N/S

**DAP PRODUCTS INC** — DAP Firestop Sealant

**GRABBER CONSTRUCTION PRODUCTS INC** — GrabberGard EFC, GrabberGard IFC

**HILTI CONSTRUCTION CHEMICALS, DIV OF HILTI INC** — FS611A or FS-ONE MAX  
Intumescent Sealant

**NATIONAL GYPSUM CO** — FS-90

**NUCO INC** — Self Seal GG-200

**PASSIVE FIRE PROTECTION PARTNERS** — 3600EX, 4100NS, 4800DW

**RECTORSEAL** — FlameSafe FS3000, Metacaulk 1200, Biostop 750, FS3001, FS3005

**RECTORSEAL** — Metacaulk 835+, Metacaulk 1000, Biostop 500+Caulk, Biotherm  
100, FS1900, FS4000

**SPECIFIED TECHNOLOGIES INC** — SpecSeal ES Sealant

**TREMCO INC** — TREMstop Acrylic

**UNITED STATES GYPSUM CO** — FC, RFC

### *Firestop Configuration B*

**3. Joint System — Max separation between the top of the bottom flange of the deflection trak and top of gypsum board (at the time of installation of the joint system) is 1 in. (25 mm) or 2 in. (51 mm). The joint system is designed to accommodate a max 100 percent compression or extension from its installed width of 1 in. (25 mm) or 100% compression from its installed width of 2 in. (51 mm).** The joint system consists of packing material (Item 3A), wall cladding (Item 3B) and a fill material (Item 3C) as follows:

A. **Wall Cladding** — Strips of the gypsum board material attached to the deflection trak. The number of layers, board type and thickness and fastener type shall be as specified for the gypsum board in the individual Wall and Partition Design in the UL Fire Resistance Directory. Fasteners shall be max spaced 3 in. (76 mm) OC. The top of the wall cladding shall be recessed min 1/8 in. (3.2 mm) to max 1/2 in. (13 mm) from the steel floor units and overlap the gypsum board 4 in. (102 mm).

B. **Fill, Void or Cavity Material\*** — Full depth of fill material installed on each side of the wall between the top of the wall cladding and the surface of the steel floor units, flush with each surface of the cladding.

**3M COMPANY** — FB 1000NS, FB 2000, FB 2000+, FD-150+, CP 25 WB+

**A/D FIRE PROTECTION SYSTEMS INC** — A/D FireBarrier Seal N/S

**DAP PRODUCTS INC** — DAP Firestop Sealant

**GRABBER CONSTRUCTION PRODUCTS INC** — GrabberGard EFC, GrabberGard IFC



**HILTI CONSTRUCTION CHEMICALS, DIV OF HILTI INC** — FS611A, FS-ONE Sealant  
or FS-ONE MAX Intumescent Sealant

**NATIONAL GYPSUM CO** — FS-90

**NUCO INC** — Self Seal GG-200

**PASSIVE FIRE PROTECTION PARTNERS** — 3600EX, 4100NS, 4800DW

**RECTORSEAL** — Metacaulk 835+, Metacaulk 1000, Biostop 500+Caulk, Biotherm  
100, FS1900, FS4000

**SPECIFIED TECHNOLOGIES INC** — SpecSeal ES Sealant

**TREMCO INC** — TREMstop Acrylic

**UNITED STATES GYPSUM CO** — FC, RFC

### *Firestop Configuration C*

**3. Joint System** — Max separation between the top of the bottom flange of the deflection trak and top of gypsum board (at the time of installation of the joint system) is 1 in. (25 mm) or 2 in. (51 mm). The joint system is designed to accommodate a max 100 percent compression or extension from its installed width of 1 in. (25 mm)

**or 100% compression from its installed width of 2 in. (51 mm).** The joint system consists of packing material (Item 3A), wall cladding (Item 3B) and a fill material (Item 3C) as follows:

A. **Wall Cladding** — Strips of the gypsum board material attached to the deflection trak. The number of layers, board type and thickness and fastener type shall be as specified for the gypsum board in the individual Wall and Partition Design in the UL Fire Resistance Directory. Fasteners shall be max spaced 3 in. (76 mm) OC. The top of the wall cladding shall be recessed min 1/8 in. (3.2 mm) to max 1/2 in. (13 mm), or max 3/8 in. (9.5 mm) when Item 2A1 is used, from the bottom of the concrete floor and overlap the gypsum board 4 in. (102 mm).

A1. **Packing Material** — (Not Shown) — When sound isolation clips (Item 2A1) are used, min 4 pcf (64 kg/m<sup>3</sup>) density mineral wool batt insulation, cut to a thickness 25 percent greater than the gap, shall be compressed and installed to fill the entire space between the top of the ceiling trak and the underside of the floor or roof, between and around the isolation clips, flush with both sides of the ceiling trak.

B. **Fill, Void or Cavity Material\*** — Full depth of fill material installed on each side of the wall between the top of the wall cladding and the bottom of the concrete floor , flush with each surface of the cladding.

**3M COMPANY** — FB 1000NS, FB 2000, FB 2000+, FD-150+, CP 25 WB+

**A/D FIRE PROTECTION SYSTEMS INC** — A/D FireBarrier Seal N/S

**DAP PRODUCTS INC** — DAP Firestop Sealant

**GRABBER CONSTRUCTION PRODUCTS INC** — GrabberGard EFC, GrabberGard IFC

**HILTI CONSTRUCTION CHEMICALS, DIV OF HILTI INC** — FS611A, FS-ONE or FS-ONE MAX Intumescent Sealant

**NATIONAL GYPSUM CO** — FS-90

**NUCO INC** — Self Seal GG-200

**PASSIVE FIRE PROTECTION PARTNERS** — 3600EX, 4100NS, 4800DW

**RECTORSEAL** — Metacaulk 835+, Metacaulk 1000, Biostop 500+Caulk, Biotherm 100, FS1900, FS4000

**SPECIFIED TECHNOLOGIES INC** — SpecSeal ES Sealant

**TREMCO INC** — TREMstop Acrylic

**UNITED STATES GYPSUM CO** — FC, RFC

### *Firestop Configuration D*

**3. Joint System** — Max separation between the top of the bottom flange of the deflection trak and top of gypsum board (at the time of installation of the joint system) is 1 in. (25 mm) or 2 in. (51 mm). The joint system is designed to accommodate a max 100 percent compression or extension from its installed width of 1 in. (25 mm) or 100% compression from its installed width of 2 in. (51 mm). Item 2F must be used for this Configuration. The joint system consists of packing material (Item 3A), wall cladding (Item 3B) and a fill material (Item 3C) as follows:

A. **Wall Cladding** — Strips of the gypsum board material attached to the deflection trak. The number of layers, board type and thickness and fastener type shall be as specified for the gypsum board in the individual Wall and Partition Design in the UL Fire Resistance Directory. Fasteners shall be max spaced 3 in. (76 mm) OC. The top of the wall cladding shall be recessed min 1/8 in. (3.2 mm) to max 1/2 in. (13 mm), or

max 3/8 in. (9.5 mm) when Item 2A1 is used, from the bottom of the concrete floor and overlap the gypsum board 4 in. (102 mm).

**B. Fill, Void or Cavity Material\*** — Full depth of fill material installed on each side of the wall between the top of the wall cladding and the bottom of the concrete floor, flush with each surface of the cladding.

**3M COMPANY** — FB 1000NS, FB 2000, FB 2000+, FD-150+, CP 25 WB+

**A/D FIRE PROTECTION SYSTEMS INC** — A/D FireBarrier Seal N/S

**DAP PRODUCTS INC** — DAP Firestop Sealant

**GRABBER CONSTRUCTION PRODUCTS INC** — GrabberGard EFC, GrabberGard IFC

**HILTI CONSTRUCTION CHEMICALS, DIV OF HILTI INC** — FS611A, FS-ONE or FS-ONE MAX Intumescent Sealant

**NATIONAL GYPSUM CO** — FS-90

**NUCO INC** — Self Seal GG-200

**PASSIVE FIRE PROTECTION PARTNERS** — 3600EX, 4100NS, 4800DW

**RECTORSEAL** — Metacaulk 835+, Metacaulk 1000, Biostop 500+Caulk, Biotherm 100, FS1900, FS4000

**SPECIFIED TECHNOLOGIES INC** — SpecSeal ES Sealant

**TREMCO INC** — TREMstop Acrylic

**UNITED STATES GYPSUM CO** — FC, RFC

*\* Indicates such products shall bear the UL or cUL Certification Mark for jurisdictions employing the UL or cUL Certification (such as Canada), respectively.*

[Last Updated](#) on 2021-01-12

Last Updated on 2021-08-17