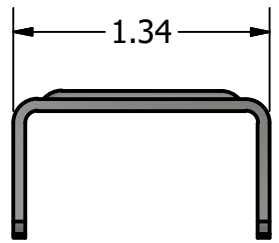
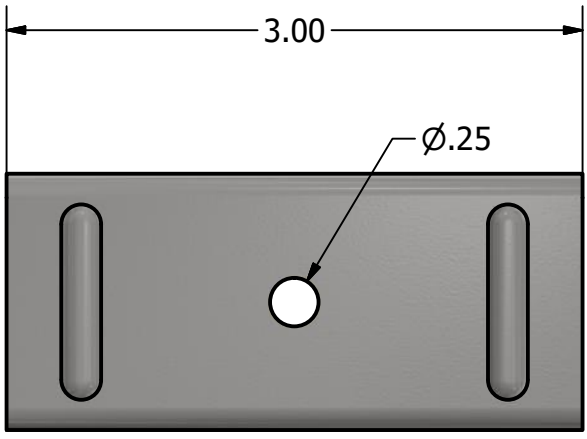


2

1

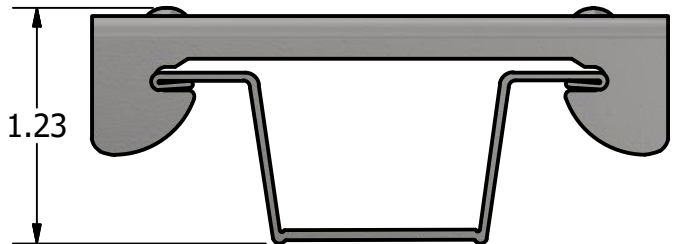


B

B

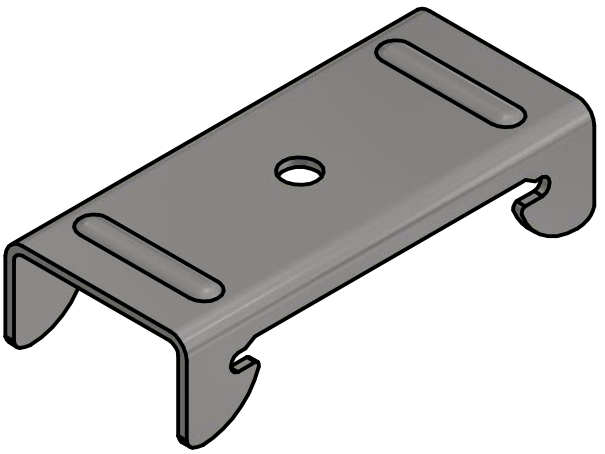
A

A



A

A



2

1

| |
|----------------|
| RSIC-V |
| 6/23/2021 |
| SCALE 1 : 1 |

PAC
International

World Leader in
Noise Control
Solutions

