



### RSIC-U-HD

The **RSIC-U-HD** is designed for use with any wood, steel or concrete application where noise control is required. This includes, wood framed, and steel framed wall systems that need Vibration and Noise Isolation from the structure below. The RSIC-U-HD Clip decouples the framed structure from the Floor it is mounted to at the floor-wall intersection stopping the transfer of noise. The RSIC-U-HD clip has an Acoustical design load rating of 72 lbs per isolator when used at the ceiling.

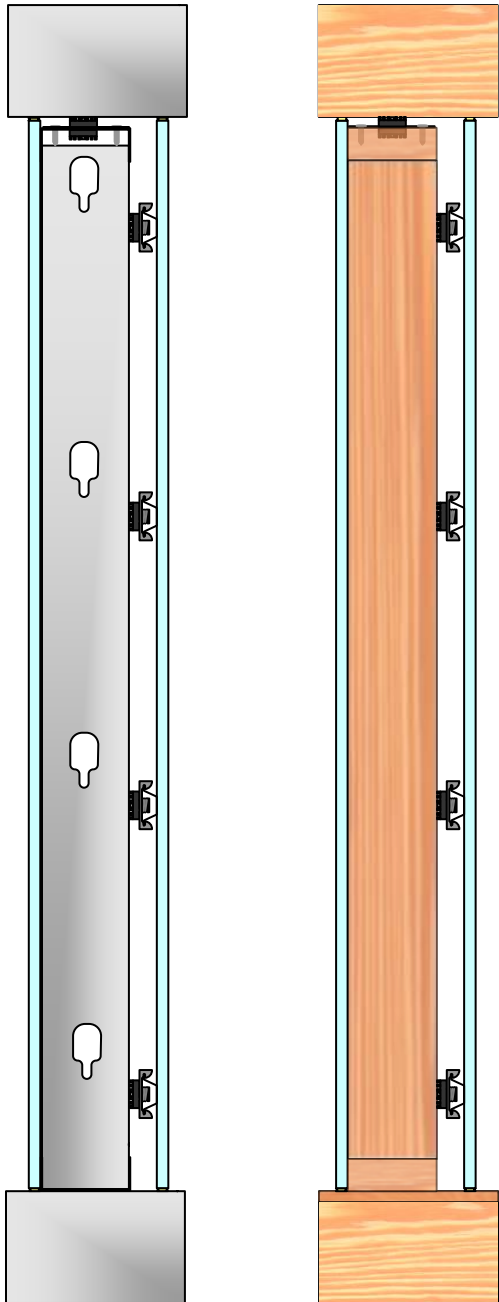
#### **RSIC is the Low Cost, High Performance, Noise control Solution**

Wood
Steel
Metal deck

Concrete
Condo
Commercial

Apartment
Retail
Conference Rooms

Recording Studio
Home Theater
Commercial theater



#### RSIC-U-HD specifications:

Acoustical design load:	72 Lbs
Total deflection	3 mm
Double deflection	Yes (1.5 mm)
Made with Recycled content	Yes
Low VOC treated	Yes
Adjustable	No
Cavity min	1/2"
Cavity Max	1/2"
Adjustment limit	N/A
Use on Ceilings	No
Use on walls	Yes
New Construction	Yes
Retro Fit	Yes
Assembled In USA	Yes

## 1. Product Name

- RSIC-U HD Resilient Sound Isolation System
  - RSIC-U HD® Resilient Sound Isolator.

## 2. Manufacturer

PAC International, LLC  
7260 W Azure Dr  
Suite 140-213  
Las Vegas, NV 89130  
Phone: (866) 774-2100  
Fax: (866) 649-2710  
Email: [info@pac-intl.com](mailto:info@pac-intl.com)  
Web: [www.pac-intl.com](http://www.pac-intl.com)

## 3. Product Description

### RSIC-U HD

The RSIC-U HD® is designed for use with various wall designs. The RSIC-U HD® decouples the wall framing from the floor and ceiling structure. The RSIC-U® system eliminates flanking paths normally caused by a wall directly connected the floor or ceiling. When combined with the RSIC-U HD wall system the highest possible noise control can be achieved by preventing noise from passing through wall framing into the adjoining structure. The RSIC-U HD® works directly with the RSIC-U HD to achieve total decouple walls from the structure.

The RSIC-U HD stops the noise and vibrations that typically would be allowed to transfer through the structure. The RSIC-U HD systems have several UL fire resistive design assemblies ranging from one hour to four hours.

The UL assemblies can be viewed on the PAC International, LLC site ([www.pac-intl.com](http://www.pac-intl.com)) and on **UL.com**. (File #: R16638)



**RSIC-U HD**

### Materials and Composition

The 18 gauge RSIC-U HD clips are composed of galvanized or aluminum-zinc coated steel and is manufactured in Canby, OR.

The RSIC rubber isolators are made of a proprietary rubber and/or manufactured rubber compounds.

### Sizes and Weight-bearing Information:

The RSIC-U HD has an acoustical design load rating of 72 pounds per isolator. The RSIC-U HD clip can support framed walls with up two layers of 5/8 inch gypsum board when spaced at 16 inches on center. For heavier systems increase the number of isolators to support the additional weight of the system. The RSIC-U HD clip fastens directly to the framing and structure creating a 1/2 inch cavity between the face of the structure and the framing. The

### Product Limitations:

For interior use only with operating temperatures of 40–100 degrees F (4.4–37.8 degrees C).

#### 4. Technical Data

##### Applicable Standards

ASTM International (ASTM)

**ASTM E90** Standard Test Method for Laboratory Measurement of Airborne Sound Transmission Loss of Building Partitions and Elements

**ASTM E413** Classification for Rating Sound Insulation

Underwriters Laboratories (UL)

**UL Fire Resistance Directory R16638**

[www.ul.com](http://www.ul.com).

The RSIC-U HD may contribute to LEEDS points, see Leed information on [pac-intl.com](http://pac-intl.com)

#### 5. Installation

General installation: follow manufacturer's specific installation instructions.

- Install resilient sound isolation clips in accordance with manufacturer's instructions
- Mechanically fasten resilient sound isolation clips to structure with screws, bolts or expansion anchors, dependent upon structure
- Fire-Resistive Design Assemblies: Install as specified in *UL Fire Resistance Directory*, where required
- Do not arbitrarily add resilient sound isolation clips to fire-rated assemblies
- Space resilient sound isolation clips at maximum of 16 inches on center for wall and ceiling connections.
- Do not exceed design load (pull and shear) of 72 pounds per isolation clip
- Space isolation clip installation, so dead load is supported evenly by all isolators.

#### Flanking Noise:

- Review installation details to prevent structure-borne flanking noise
- Ensure metal ferrule of resilient sound isolation clips is in firm contact with structural member
- Install frame isolation system and frame interior wall. Do not allow framed wall to contact floor or ceiling directly.
- Install perimeter tape where gypsum board meets the floor, walls, and ceiling.
- Install gypsum board in accordance with ASTM C840 as specified in Section 09250
- Acoustically caulk the gypsum board over the perimeter tape to ensure an air tight seal between the gypsum board and adjacent ceilings, walls and floors

#### Acoustical Sealant:

- Seal potential air leaks with acoustical sealant to achieve best Field Sound Transmission Class (FSTC)
- Seal electrical outlets and penetrations with acoustical sealant
- Apply fire-rated acoustical sealant at locations where fire-rated assembly is required
- Putty Pad Sealant: acoustically seal with putty pads, electrical boxes in walls and ceilings in which resilient sound isolation clips are used

#### 6. Availability and Cost

Please contact PAC International, LLC. for availability and pricing information.

#### 7. Warranty

RSIC-U HD clips have no warranty.



World Leader  
in Noise  
Control  
Solutions



GYPSUM BOARD ASSEMBLIES 2021

PAC INTERNATIONAL, LLC.

## 8. Maintenance

No maintenance is necessary.

## 9. Technical Services

PAC International Inc. offers online product pages, installation guides, and specification sheets. Technical information can be found on the website, [www.pac-intl.com](http://www.pac-intl.com) or by calling 866-774-2100, ext. 101 or 801. Fire ratings, sound test assemblies, CAD drawings, assembly drawings and clip specifications are also on the website.

## 10. Filing Systems

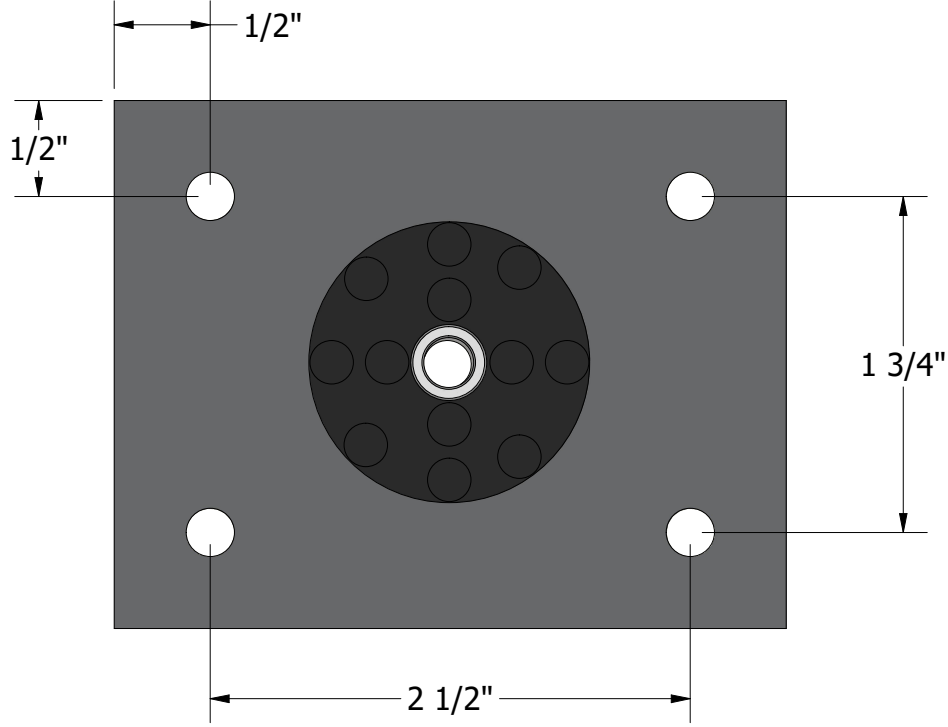
Additional product information is available from the manufacturer upon request

2

1

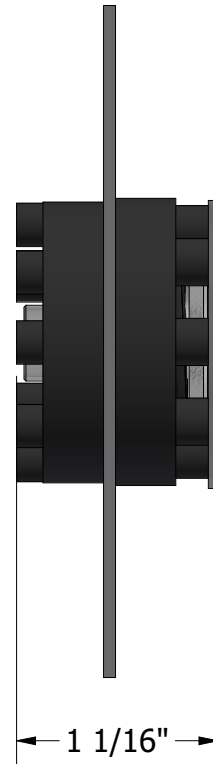
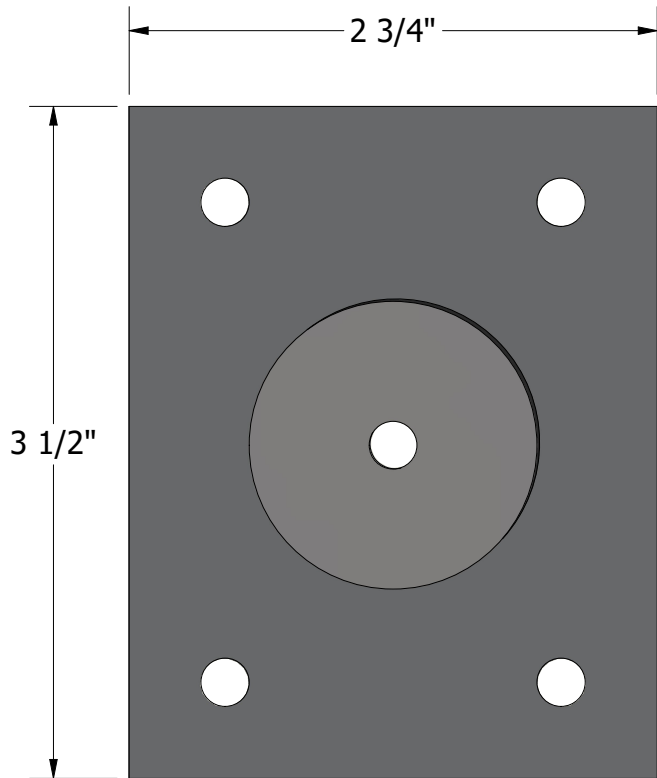
B

B



A

A



A

A

RSIC-U-HD

2/3/2023

SCALE  
1 : 1

**PAC**  
International

World Leader in  
Noise Control  
Solutions

2

1

A



World Leader in  
Noise Control  
Solutions



LEED Analysis  
**RSIC-U HD**

### **Recycled Content**

PAC International's RSIC-U HD does not contain significant recycled content.

### **Fabrication Location**

The RSIC-U HD is manufactured in Canby, OR 97013

### **Material Source**

The extraction points for the materials in these products cannot be verified. Assume they are outside the 500 mile radius.



World Leader in  
Noise Control  
Solutions



## RSIC ® Safety Data Sheet

Article Statement

(PAC International, LLC Wall and Ceiling Isolation Products)

This document is provided for clarification of the Safety Data Sheets that you have requested for our product(s). OSHA Hazard Communication Standard requires a SDS for hazardous chemicals; however, the standard exempts all articles from the requirement. The explanation of an article is described per OSHA definition below.

*Pursuant to 29 CFR 1910.1200 (b) (6) (v) and (c), the product described herein is an “article” or is otherwise excluded from OSHA regulations requiring that a Material Safety Data Sheet be prepared for it.*

*An article defined: manufactured item other than a fluid or particle: (i) which is formed to a specific shape or design during manufacturing; (ii) which has an end use function (s) dependent in whole or in part upon its shape or design during end use; and (iii) which does not release, or otherwise result in exposure to, a hazardous chemical under normal conditions of use.*

For technical information and additional resources covering these products please refer to PAC International published literature, e.g., data sheets, product drawings, and installation guidelines at [www.PacInternationalLLC.com](http://www.PacInternationalLLC.com)

As of the date of this document, the foregoing information is believed to be accurate and is provided in good faith to comply with applicable federal and state laws. However, no warranty or representation of law or fact, with respect to such information, is intended or given.



**World Leader in  
Noise Control  
Solutions**

## **RSIC Product Warranty Disclaimer**

### **WARRANTY DISCLAIMER AND LIABILITY LIMITATION LANGUAGE**

**WARRANTY AND DISCLAIMER AND LIABILITY LIMITATION LANGUAGE ONE YEAR WARRANTY** Seller warrants to the original purchaser that its products are free from defects in material or workmanship for one year from the date of purchase from seller. Any allegedly defective product that is portable must be returned to seller prepaid. If upon examination it appears to seller's satisfaction that the product is defective, seller shall repair, replace, or return the purchase price of the product at seller's option. EXCEPT FOR THE FOREGOING, THERE IS NO OTHER WARRANTY, REPRESENTATION OR CONDITION OF ANY KIND; AND ANY OTHER WARRANTY, EXPRESS OR IMPLIED, IS EXCLUDED AND DISCLAIMED. Some states do not allow limitations on implied warranties, so the above limitation may not apply to you.

### **LIABILITY LIMITED TO RETURN OF PURCHASE PRICE**

IT IS AGREED THAT SELLER'S LIABILITY AND PURCHASER'S SOLE REMEDY, WHETHER IN CONTRACT, UNDER ANY WARRANTY, IN TORT (INCLUDING NEGLIGENCE), IN STRICT LIABILITY OR OTHERWISE, SHALL NOT EXCEED THE RETURN OF THE AMOUNT OF THE PURCHASE PRICE PAID BY PURCHASER, AND UNDER NO CIRCUMSTANCES SHALL SELLER BE LIABLE FOR ANY SPECIAL, INCIDENTAL OR CONSEQUENTIAL DAMAGES, INCLUDING, BUT NOT LIMITED TO, PERSONAL INJURY, PROPERTY DAMAGE, DAMAGE TO OR LOSS OF EQUIPMENT, LOST PROFITS OR REVENUE, COSTS OF RENTING REPLACEMENTS AND OTHER ADDITIONAL EXPENSES, EVEN IF SELLER HAS BEEN ADVISED OF THE POSSIBILITY OF SUCH DAMAGES. THE PRICE STATED FOR THE EQUIPMENT IS A CONSIDERATION IN LIMITING SELLER'S LIABILITY AND PURCHASER'S REMEDY. Some states do not allow the exclusion or limitation of incidental or consequential damages, so the above limitation or exclusion may not apply to you.

### **SELLER NOT LIABLE FOR PURCHASER'S NEGLIGENCE**

SELLER WILL NOT BE LIABLE FOR ANY DAMAGES, LOSSES OR EXPENSES AS A RESULT OF PURCHASER'S NEGLIGENCE, WHETHER DEEMED ACTIVE OR PASSIVE AND WHETHER OR NOT ANY SUCH NEGLIGENCE IS THE SOLE CAUSE OF ANY SUCH DAMAGE, LOSS OR EXPENSE.

### **MODEL FOR DEMONSTRATION PURPOSES ONLY**

THE MODEL OR SAMPLE SHOWN BY SELLER TO BUYER IS USED FOR DEMONSTRATION PURPOSES ONLY. THERE IS NO WARRANTY THAT THE GOODS AS DELIVERED SHALL CONFORM TO THE MODEL OR SAMPLE, AND CONFORMITY OF THE GOODS TO THE MODEL OR SAMPLE IS NOT PART OF THE BASIS OF THE BARGAIN BETWEEN SELLER AND BUYER.

### **NO WARRANTY OR COMPLIANCE WITH SAFETY CODE OR REGULATION**

SELLER DOES NOT WARRANT THAT ANY OF THE GOODS SOLD WILL MEET OR COMPLY WITH THE REQUIREMENTS OF ANY SAFETY CODE, BUILDING OR DWELLING CODE, OR REGULATION OF ANY STATE, MUNICIPALITY OR OTHER JURISDICTION.

### **NEVADA LAW APPLIES**

SELLER AND BUYER AGREE THAT ALL ASPECTS OF THIS TRANSACTION INCLUDING THE APPLICABLE STATUTE OF LIMITATIONS SHALL BE GOVERNED BY THE INTERNAL LAW OF THE STATE OF NEVADA, AND NOT THE LAWS OF CONFLICTS.

This warranty gives you specific legal rights, and you may also have other rights which vary from state to state