

2

1

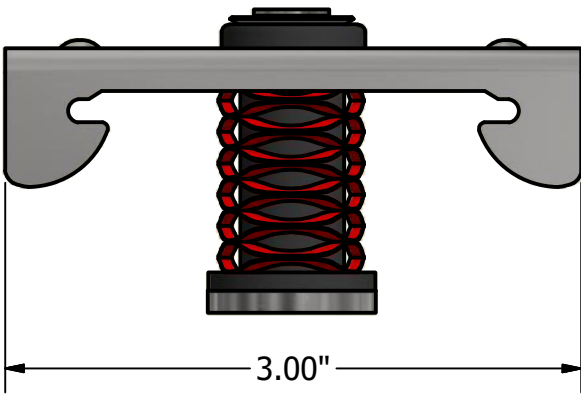
B

B



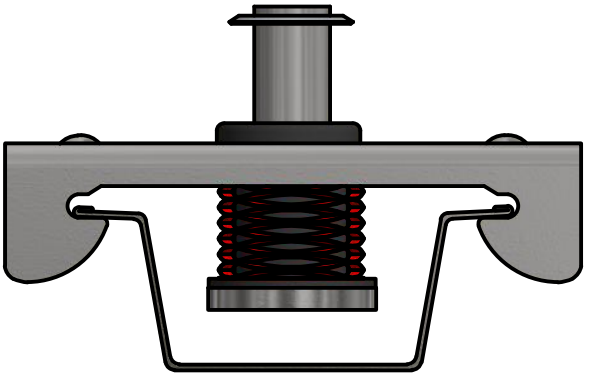
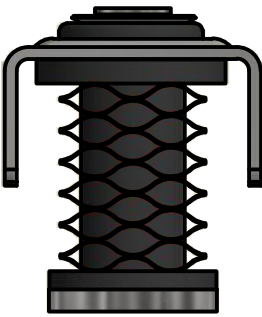
A

A



A

A



Allowable Variation +/- 0.10"

RSIC-SIX
5/24/2021
SCALE 1 : 1

**PAC**  
International

World Leader in  
Noise Control  
Solutions

2

1

A