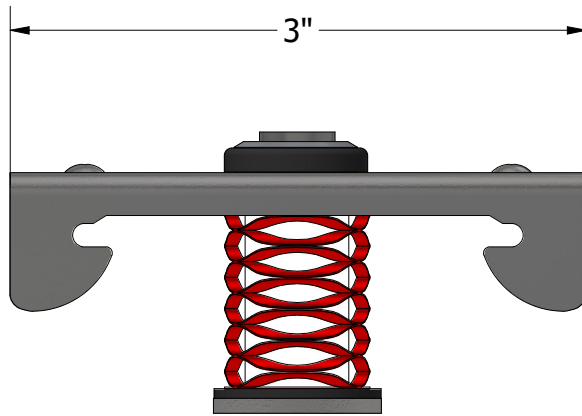
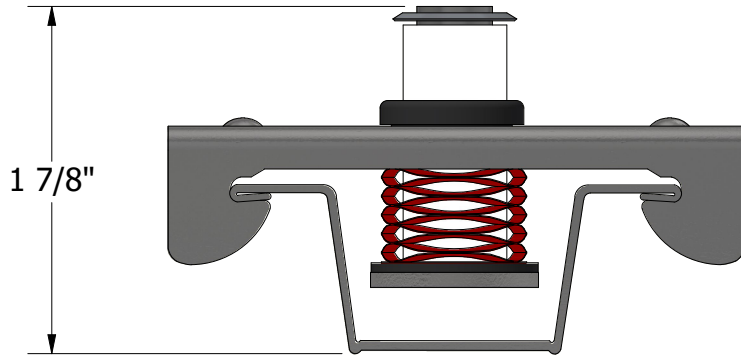


# RSIC-SI-X Loaded Height



Measurements +/- 1/16"

RSIC-SI-X

2/1/2023

SCALE  
1 : 1

**PAC**  
International

World Leader in  
Noise Control  
Solutions

