



### RSIC®-SI-X Low Profile



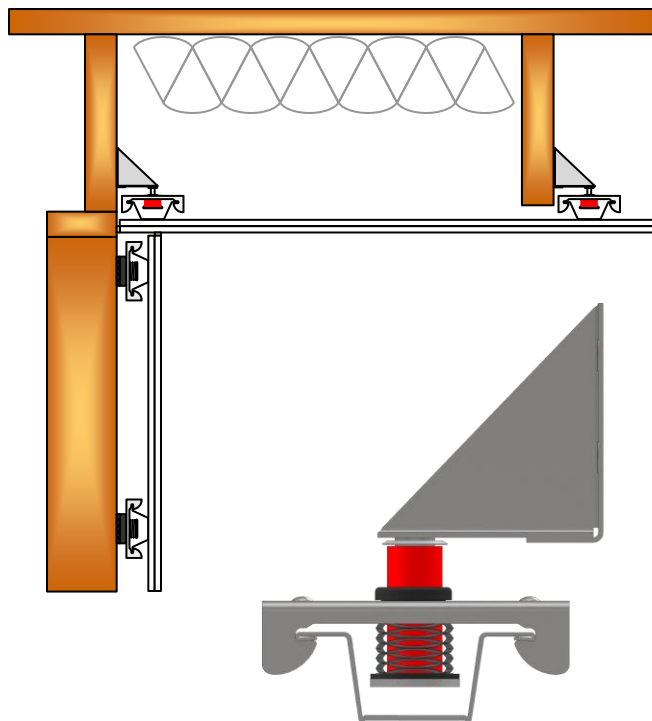
PAC's RSIC-SI-X is a patented low-profile spring isolator that provides superior low-frequency isolation compared to typical rubber sound isolation clips. The RSIC-SI-X is designed for faster and easier installation compared to industry-standard 1" deflection springs because it attaches directly to the underside of the structure and requires no additional backing.

The RSIC-SI-X Low Profile comes with a triangular mounting bracket that allows it to be mounted directly to the side of a joist. This allows the hat channel to be run between the joists to maximize the ceiling height, with a cavity between the joists and gypsum board as small as 1/2".

Wood Open Web Truss
I-Joist
Solid Wood Joist

Basement ADU
Basement Home Theater
Basement Recording Studio

Edge of Ceiling
Any Low-profile Application



#### RSIC-SI-X Low Profile Specifications:

Acoustical design load:	7 - 26 Lbs
Total deflection	3/8"
Minimum Cavity Depth	1/2"
Use in Ceilings	Yes
Use in New Construction	Yes
Use in Retrofit	No
Spring Isolation	Yes
Rubber Isolation	Yes
Pre-Calibrated	Yes
Pre-Assembled	Yes
Made, Tested, Engineered, Designed, and Calibrated In USA	