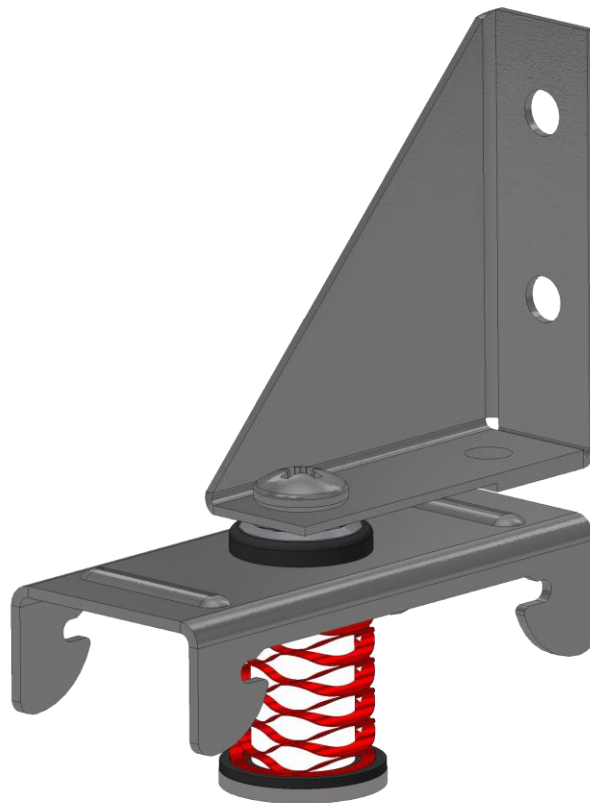


RSIC-SI-X LOW PROFILE SOUND ISOLATION CLIP

RSIC-SI-X LOW PROFILE INSTALLATION GUIDE

RSIC-SI-X Low Profile

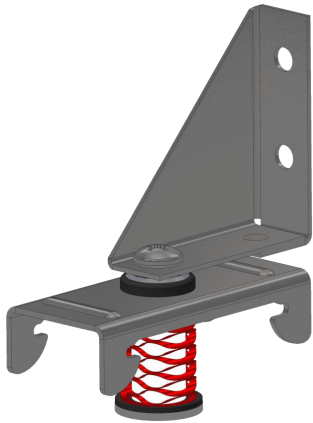


**SHIPPED FULLY
ASSEMBLED
AND CALIBRATED**

PAC International, LLC. Tel: (866) 774-2100 Web Site: www.PACInternationalLLC.com

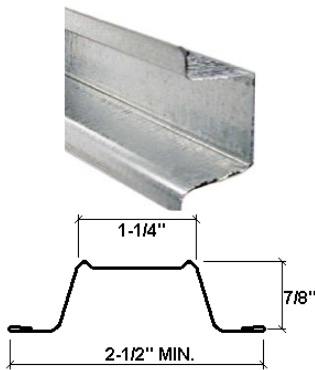
©2024 PAC International, LLC. All Rights Reserved. • (866) 774-2100 RSIC® is a registered Trade Mark

RSIC-SI-X LOW PROFILE SOUND ISOLATION CLIP



Resilient Sound Isolation Clip (RSIC-SI-X LOW PROFILE)

- Spacing: maximum 48" OC
- Maximum acoustical design load: 7 lbs, 13 lbs, and 26lbs
- RSIC-LOW PROFILE is designed for use where the RSIC-SI-X clip has a profile that is too large, and a lower profile design is desired.
- For example: A basement ceiling with an existing low ceiling would lose 1-3/4" with the standard RSIC-1 clip. The RSIC-Low Profile ceiling design has a profile as low as 1/2 inch



Drywall Furring Channel:

- **Channel:** 25 gauge, hemmed edge detail required on all 25 gauge furring channel. Meets or exceeds SSMA requirements.
- **Depth:** 7/8 inch
- **Width Bottom:** 2-1/2 inch wide minimum.
- **Width Top:** 1-1/4 inch wide

Splice drywall furring channel (hat track) with 6 inch overlap in mid span (between two clips) secure with 18 ga tie wire, or two 7/16" framing screws.



Fasteners:

- **RSIC-SI-X Low Profile Spring to Wood:** #8 X 1-1/2 inch min. coarse thread. (Recommended #12 or #10 x 1-1/2")
- **RSIC-SI-X Low Profile Spring to Steel:** #8 x 1" inch min. fine thread. (Recommended #12 or #10 x 1")

26 Lb

13 Lb

7 Lb

Resilient Sound Isolation Clip (RSIC-SI-X Spring)

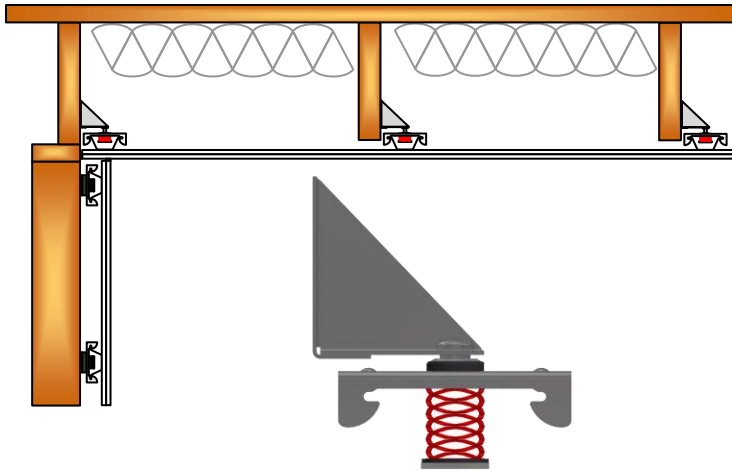
- **Maximum Spacing:** 48 inches on center
- **Design Load at 3/8" deflection from free height**
- **Red = 26 Lbs**
- **Blue = 13 Lbs**
- **White = 7 Lbs**

PAC International, LLC. Tel: (866) 774-2100 Web Site: www.PACInternationalLLC.com

©2024 PAC International, LLC. All Rights Reserved. • (866) 774-2100 RSIC® is a registered Trade Mark

RSIC-SI-X LOW PROFILE SOUND ISOLATION CLIP

RSIC-SI-X LOW PROFILE INSTALLATION GUIDE



RSIC-SI-X LOW PROFILE

RSIC-SI-X LOW PROFILE Clip with an up facing L bracket attaches to the side of the joist allowing the RSIC clip to be recessed into the joist cavity. The Furring channel is parallel to the joist with only 1/2" of the channel extending below the bottom of the joist.

Ceilings:

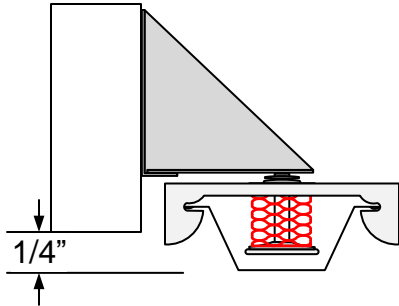
- Resilient Sound Isolation Clips (RSIC-SI-X Low Profile Spring) maximum spacing 16" x 48" or 24" x 32" on center .
- Layout the RSIC-SI-X Low Profile Spring clips according to general guidelines represented in this installation manual.
- Any additional or non standard room dimensions need to be addressed.
- Verify the correct quantity of each RSIC-SI-X Low Profile Spring isolators (weight / color) is included in the shipment.
- Layout the RSIC-SI-X Low Profile Spring clips out on the floor (reflecting the ceiling above) Ensure there are no additional items required to complete the installation.
 - Red 26 Lb clips are for the field
 - Blue 13 Lb clips are for the field, edge.
 - White 7 Lb clips are for edge, corner, and or infill where additional support is needed
- Fasten the Resilient Sound Isolation Clip (RSIC-SI-X Low Profile Springs) to the structure with fasteners approved for a minimum pull-out and shear of 100 lbs. Allowing for up to 3/8" deflection after the gypsum board has been installed.
- Using a laser level, or tape measure fasten all of the RSIC-SI-X Low Profile clips to the side of joist ensuring all the RSIC-SI-X Low Profile clips are in the same level. Height can only be adjusted by the position of the fasteners into the joist.
- Ensure all RSIC Low Profile clips are securely fastened to the structure with a minimum #8 x 1-1/2" long screw for wood framed systems
- At the perimeter, the distance between the wall and first support for the drywall shall be less than 8".
- Variances in the field may require additional adjustment to ensure a consistent system. (see field calibration guide)
- When attaching plywood or other hard surface materials to light gauge drywall furring channel use RSIC-Super Coarse screw

PAC International, LLC. Tel: (866) 774-2100 Web Site: www.PACInternationalLLC.com

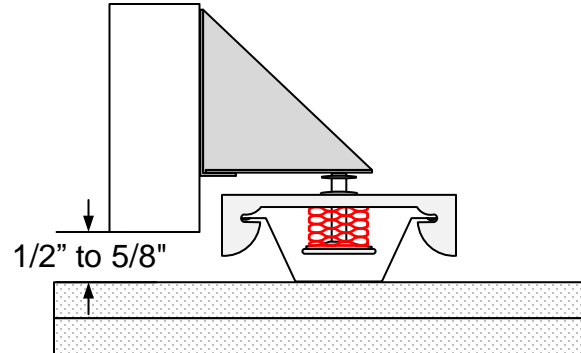
©2024 PAC International, LLC. All Rights Reserved. • (866) 774-2100 RSIC® is a registered Trade Mark

RSIC-SI-X LOW PROFILE SOUND ISOLATION CLIP

Spring Height before gypsum board is installed.



Spring Height after gypsum board is installed.



Ceilings:

- Snap the drywall furring channel (hat track) into the RSIC-SI-X Low Profile.
- Install the RSIC Perimeter Tape 1/4" below the drywall furring channel around the entire perimeter of the room.
- Install the gypsum board to the drywall furring channel snug to the RSIC Perimeter tape around the perimeter of the entire ceiling.
- Caulk around the entire perimeter of the ceiling wall intersection.
- Use fire and smoke rated acoustical sealant where required.

General Information:

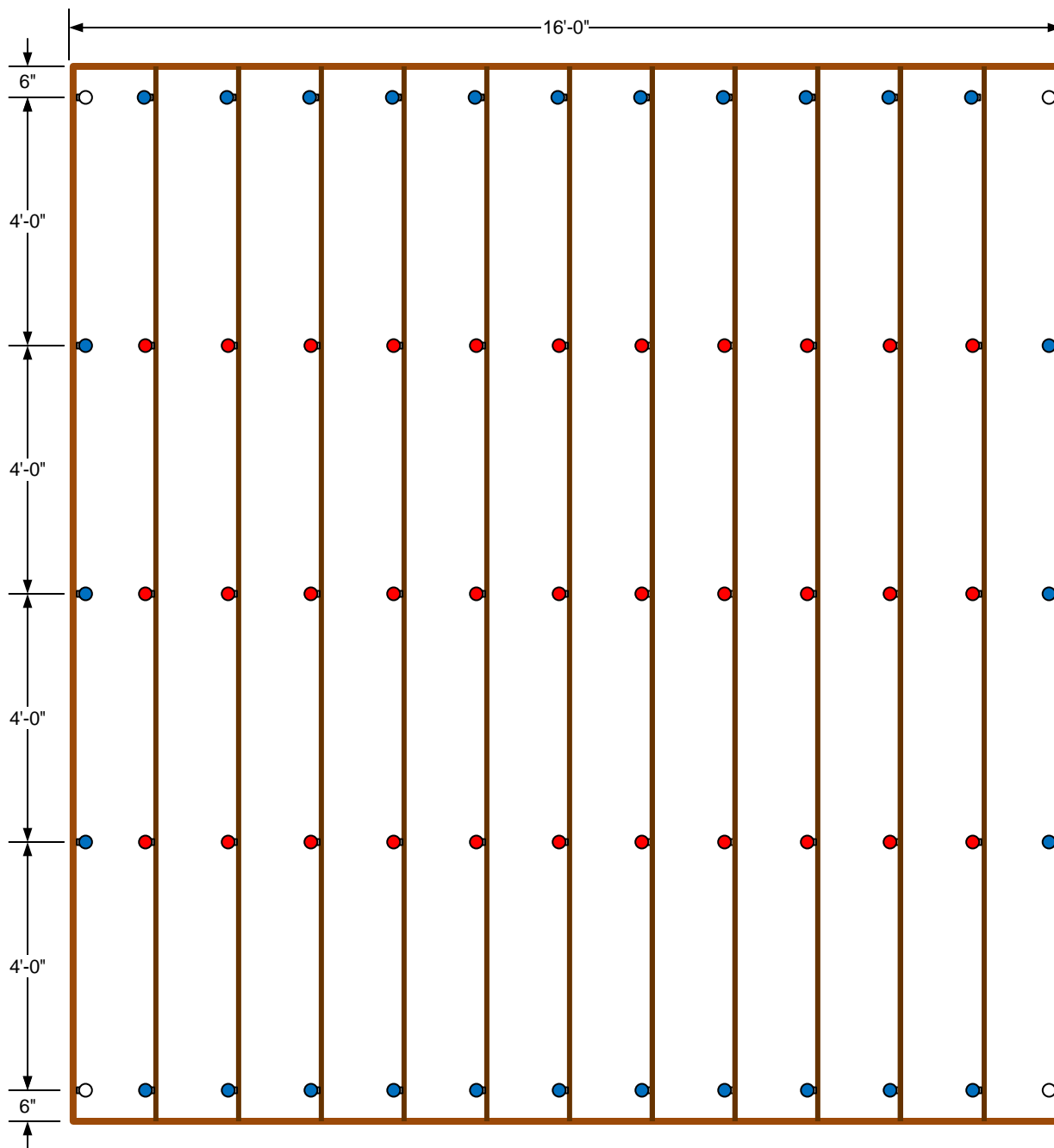
- Resilient Sound Isolation Clip Spring Isolator RSIC-SI-X Low Profile Spring, furring channel (hat track) and gypsum board shall not carry heavy loads such as Projectors, HVAC Ducting, Curtains, etc.
- Splice furring channel (hat track) with 6 inch overlap in mid span, secure with 18 ga. tie wire or with two framing screws (7/16")
- Seal all potential air leaks with non-hardening acoustical caulking to achieve best noise control results. Use fire rated sealant where required.
- When attaching the RSIC-SI-X Low Profile Spring clips to a steel Joist the minimum allowable thickness is 20 ga. (0.030).
- When attaching plywood or other hard surface materials to 25 Gauge drywall furring channel use RSIC-Super Coarse screw

PAC International, LLC. Tel: (866) 774-2100 Web Site: www.PACInternationalLLC.com

©2024 PAC International, LLC. All Rights Reserved. • (866) 774-2100 RSIC® is a registered Trade Mark

RSIC-SI-X LOW PROFILE SOUND ISOLATION CLIP

RSIC-SI-X LOW PROFILE SPRING INSTALLATION WITH FRAMING SPACED @ 16" OC. RSIC-SI-X LOW PROFILE @ 16" OC.



RSIC-SI-X LOW PROFILE SOUND ISOLATION CLIP

RSIC-SI-X LOW PROFILE SPRING INSTALLATION WITH FRAMING SPACED @ 24" OC. RSIC-SI-X LOW PROFILE @ 16" OC.

