

RSIC-SI-FF-BRC
6/25/2021
SCALE 2/3

PAC
International

World Leader in
Noise Control
Solutions



2

1

B

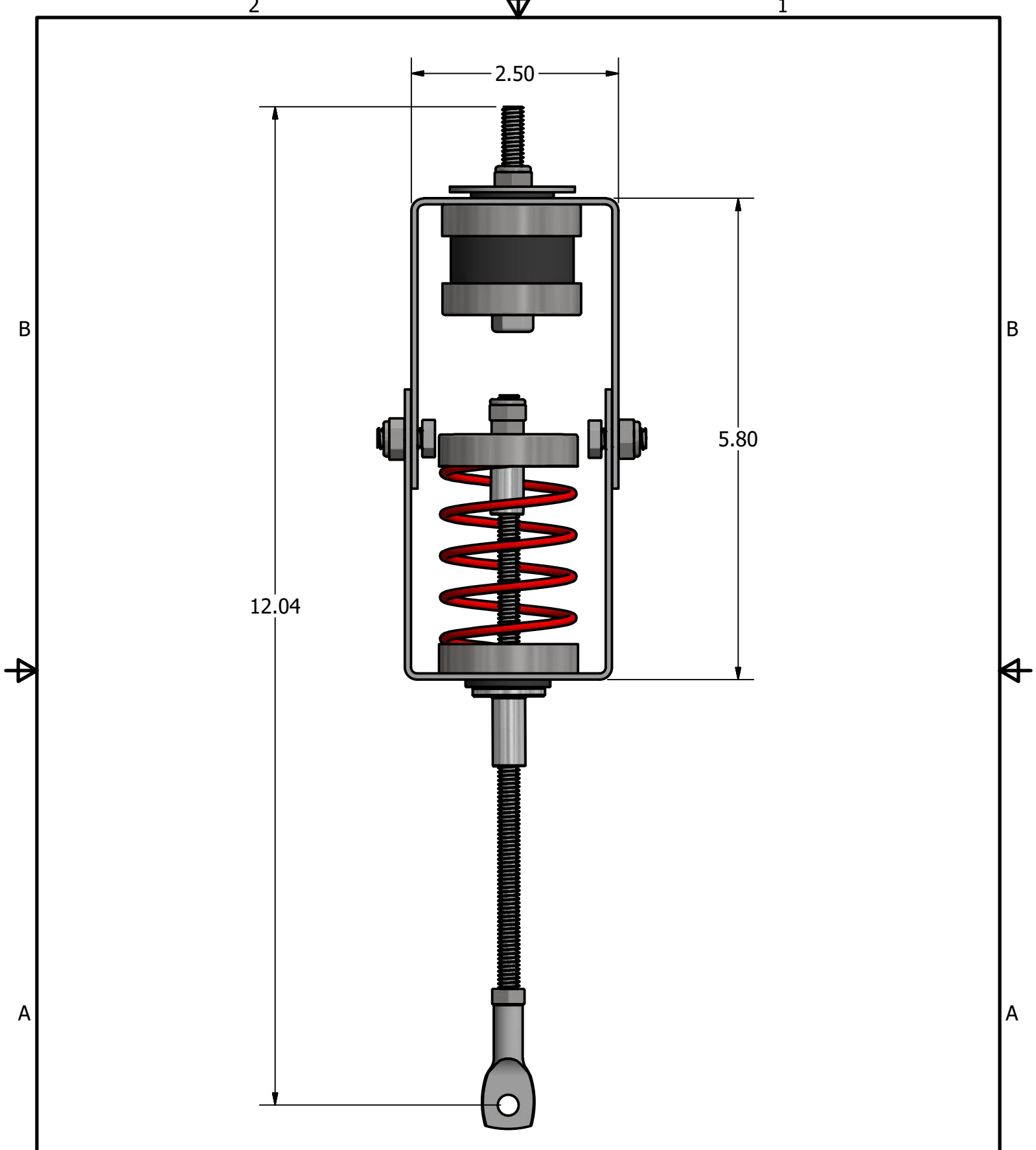
B

A

A

2

1



RSIC-SI-FF-BRW

6/25/2021

SCALE
2/3

PAC
International

World Leader in
Noise Control
Solutions



2

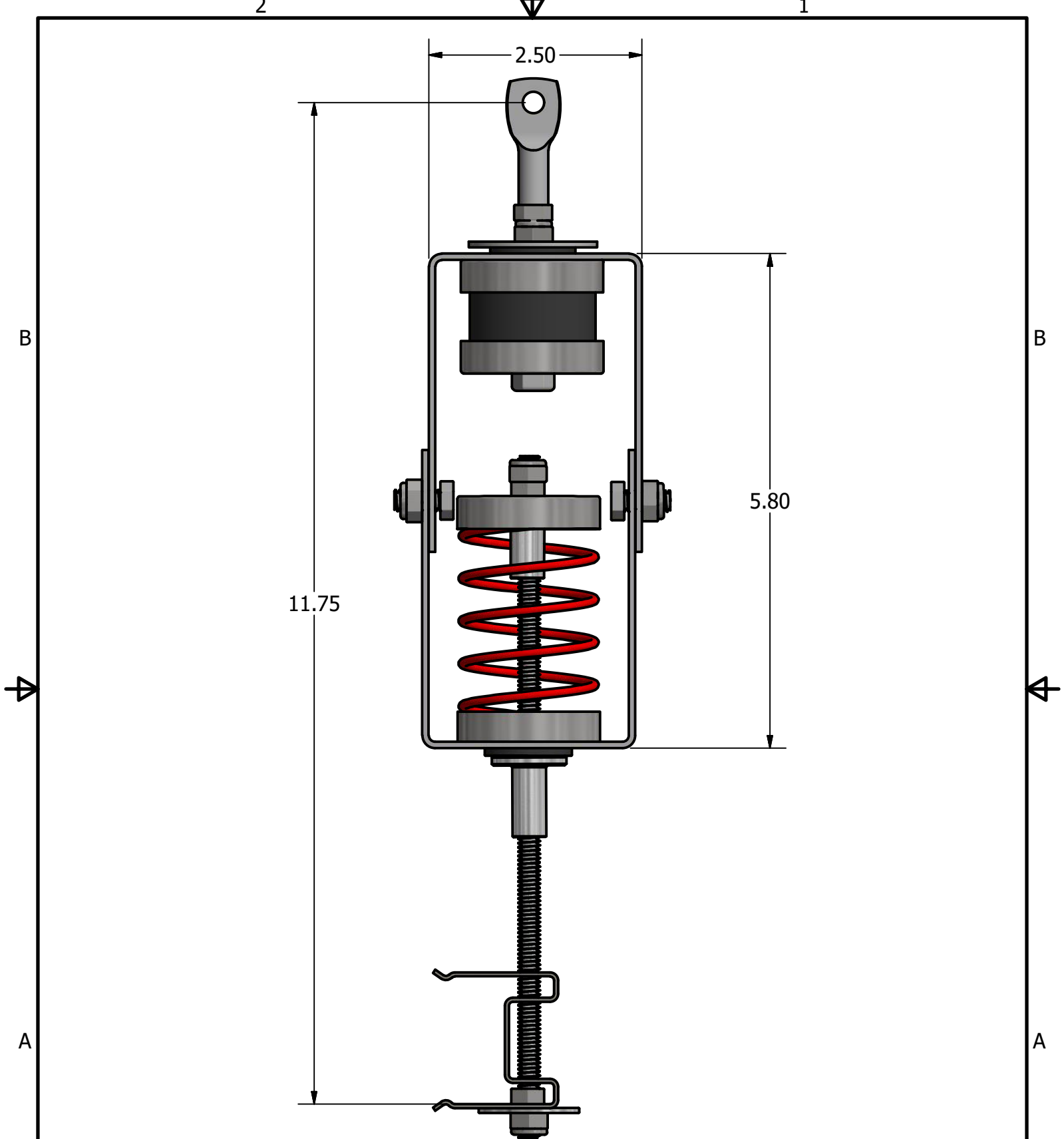
1

B

B

A

A



RSIC-SI-FF-WRC

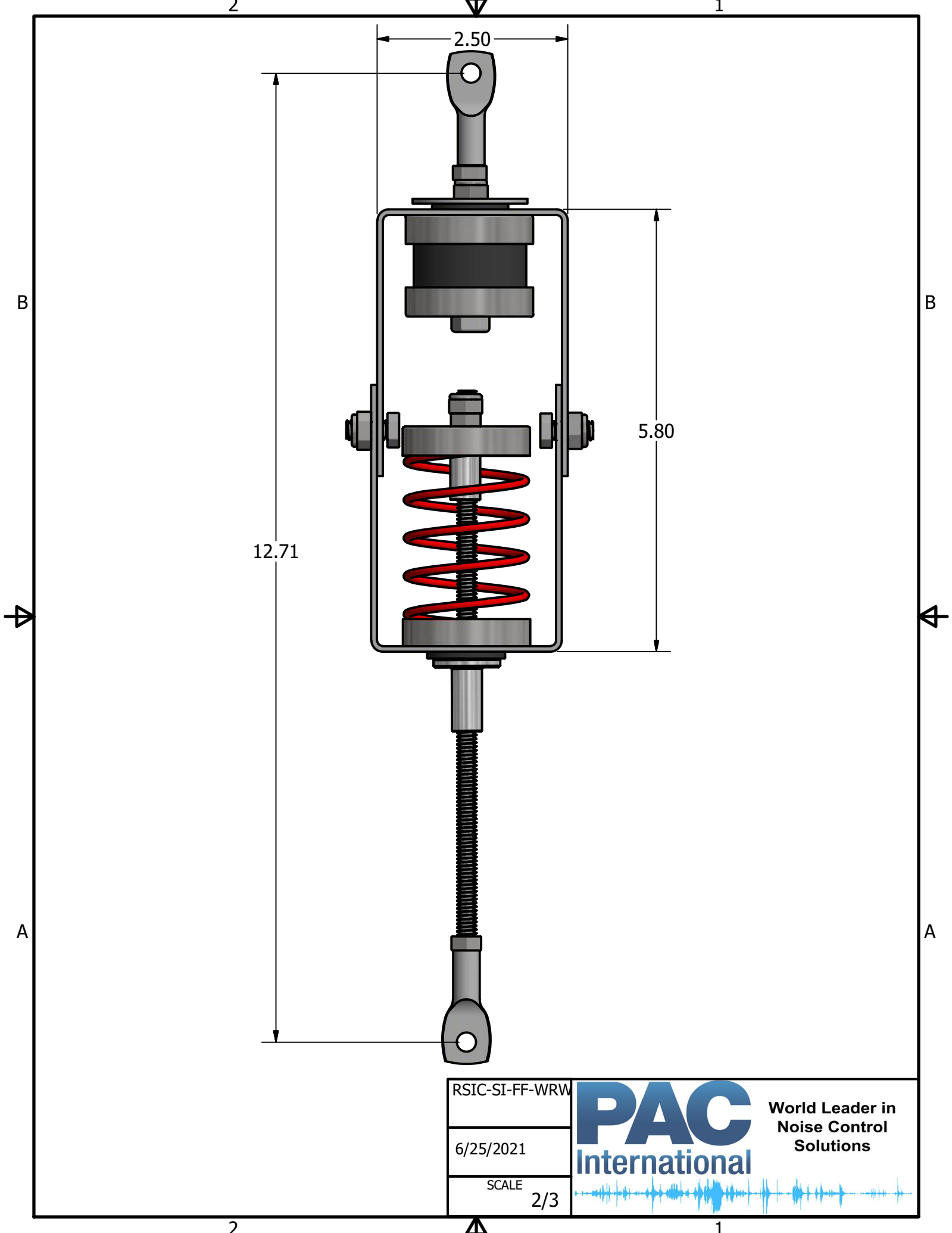
6/25/2021

SCALE
2/3

PAC
International

World Leader in
Noise Control
Solutions





RSIC-SI-FF-WRW
6/25/2021
SCALE 2/3

PAC
International

World Leader in
Noise Control
Solutions

