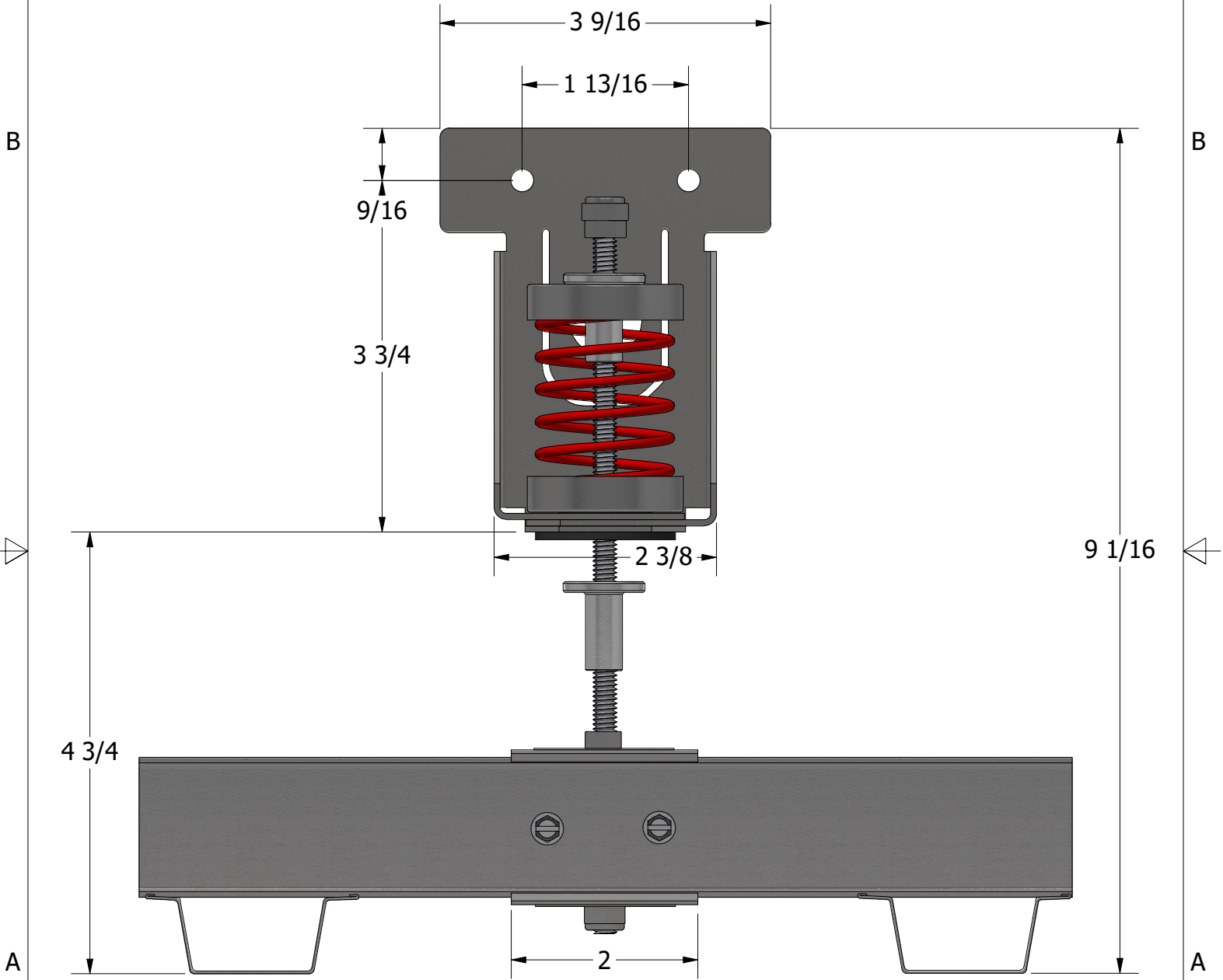


RSIC-SI-CRC EZ Loaded View



Dimensions are nominal

RSIC-SI-CRC EZ
Loaded View

3/2/2022

SCALE

5/8

PAC
International

World Leader in
Noise Control
Solutions

