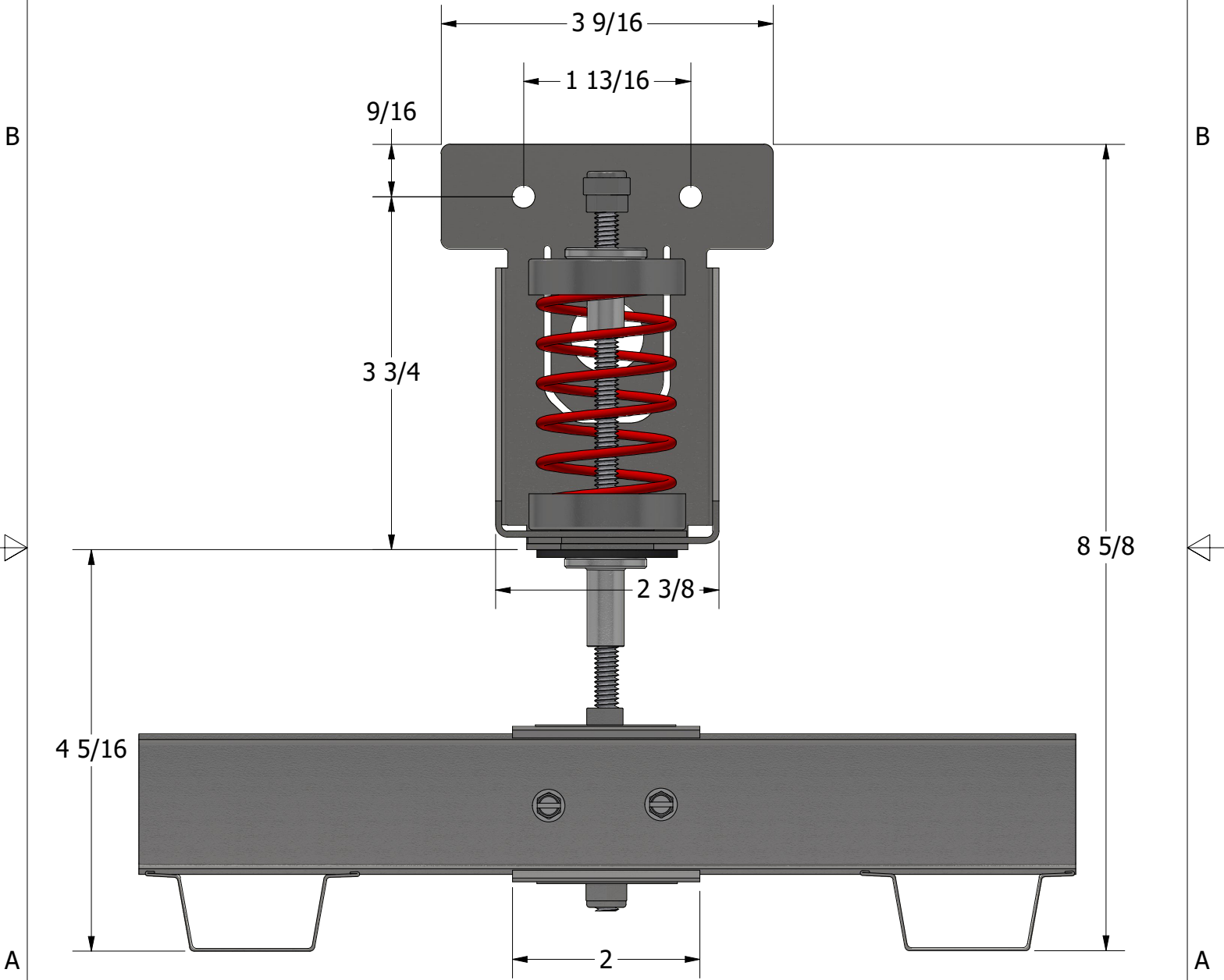


RSIC-SI-CRC EZ Pre-Loaded View



Dimensions are nominal

RSIC-SI-CRC EZ
3/2/2022
SCALE 5/8

PAC
International

World Leader in
Noise Control
Solutions



2

1