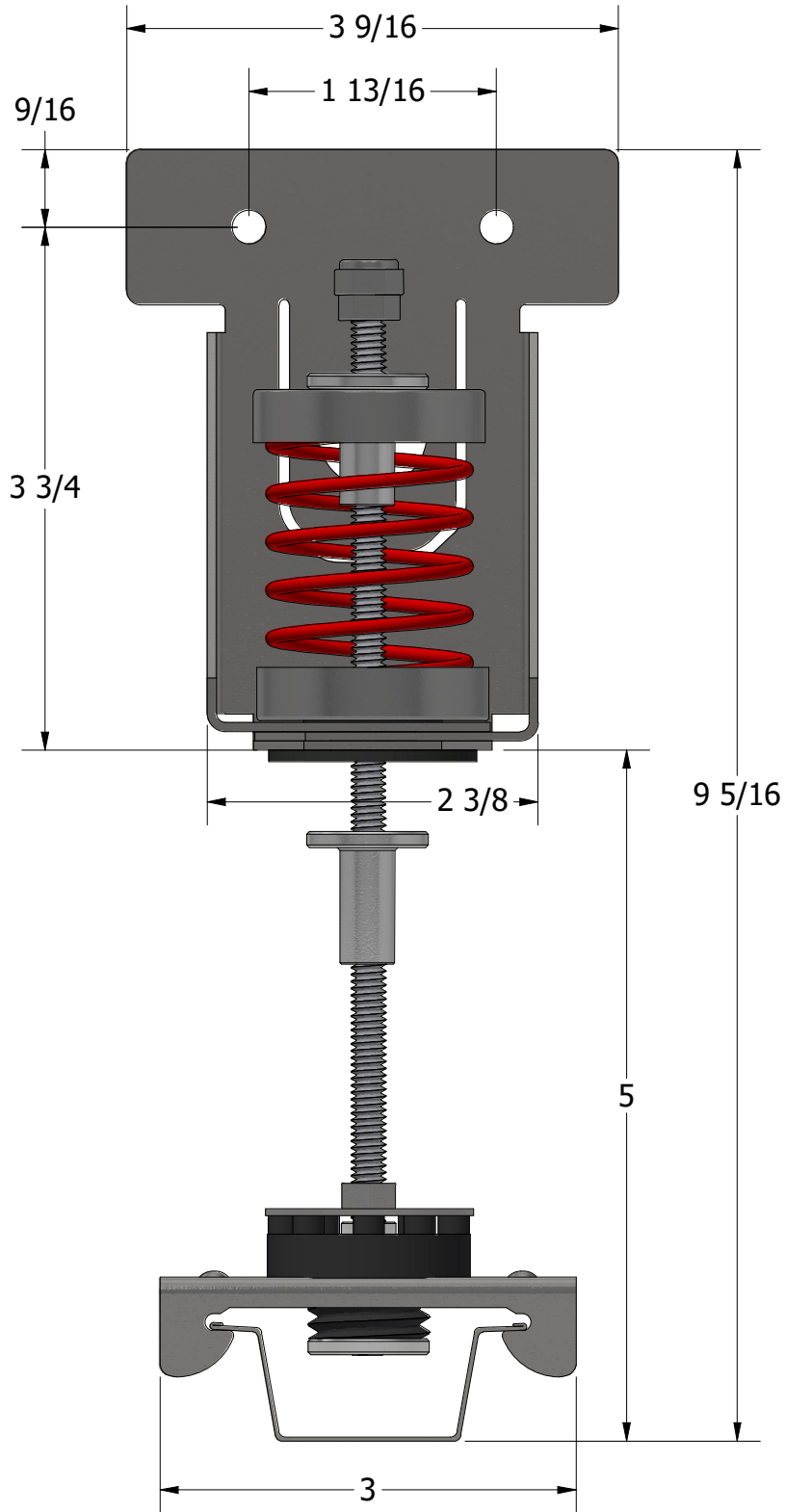


RSIC-SI-1 Ultra Loaded View



Dimensions are nominal

RSIC-SI-1 Loaded View
3/2/2022
SCALE 3/4



World Leader in
Noise Control
Solutions

