

RSIC-DC04 INSTALLATION GUIDE

RSIC-DC04 SOUND ISOLATION CLIP

RSIC-DC04

WOOD – STEEL - CONCRETE

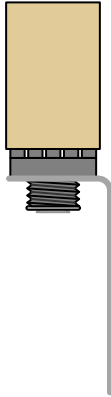


PAC International, Inc. Tel: (866) 774-2100 Technical: (866) 649-2710 Web Site: www.pac-intl.com

PAC International, LLC. All Rights Reserved. • (866) 774-2100 • Fax (866) 649-2710
RSIC® is a registered Trade Mark of PAC International, LLC.

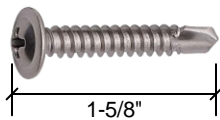
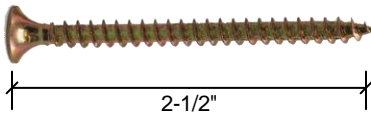
2020 01 24

RSIC-DC04 SOUND ISOLATION CLIP



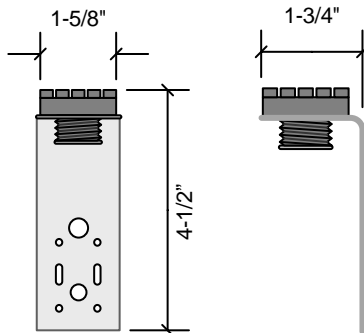
RSIC-DC04 Isolator Spacing and Load:

- **Maximum Acoustical Design Load:** 36 lbs Per Isolator.
- **Maximum Spacing Allowed:** 48" x 48" oc.
- **Deflection:** 0.236" (6mm) @ 36lbs



Approved Fasteners:

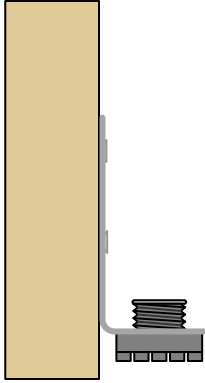
- **RSIC-DC04 to Wood:** #8 x 2-½ inch minimum size coarse thread screw. (Recommended #12 or #10 x 2-½" hex head)
- **RSIC-DC04 to Steel:** #8 x 1-5/8" minimum size fine thread screw. Recommended #12 or #10 x 1-5/8" hex head)
- **RSIC-DC04 to Concrete:** Minimum 120lbs Ultimate, Sheer and Pullout, or fastener with equal load capabilities
 - 3/16" x 2" Drive Spike
 - 3/16" x 2-½" Tapcon
- DO NOT fasten Resilient Sound Isolation Clips (RSIC-DC04) to framing members with nails. Use only with approved fasteners.



RSIC-DC04 Dimensions:

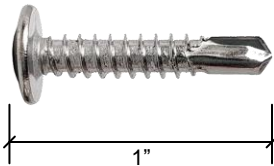
- RSIC-DC04 clip 4-½" tall
- RSIC-DC04 clip 1-5/8" wide
- RSIC-DC04 clip 1-¾" Deep

RSIC-DC04 SOUND ISOLATION CLIP



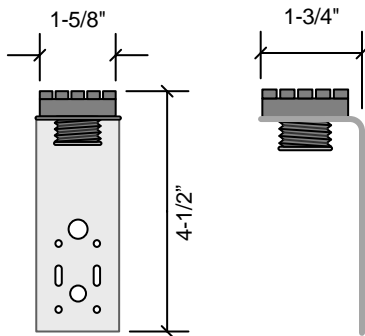
RSIC-DC04 Isolator Spacing and Load:

- **Maximum Acoustical Design Load:** 36 lbs Per Isolator.
- **Maximum Spacing Allowed:** 48" x 48" oc.
- **Deflection:** 0.236"(6mm) @ 36lbs



Approved Fasteners:

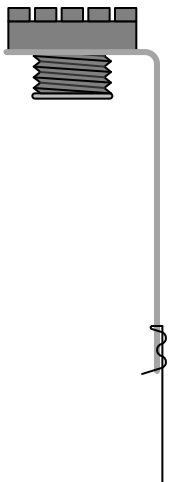
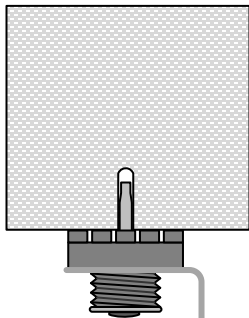
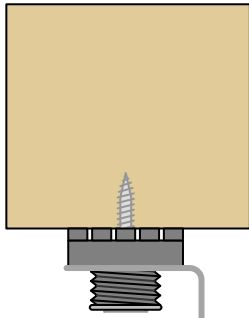
- **RSIC-DC04 to Side of Wood:** 2 ea #6 x 1-1/4" minimum coarse thread screw
- **RSIC-DC04 to Steel:** 2 ea #8 x 1" minimum fine thread screw.
- **DO NOT** fasten Resilient Sound Isolation Clips (RSIC-DC04) to framing members with nails. Use only approved fasteners



RSIC-DC04 Dimensions:

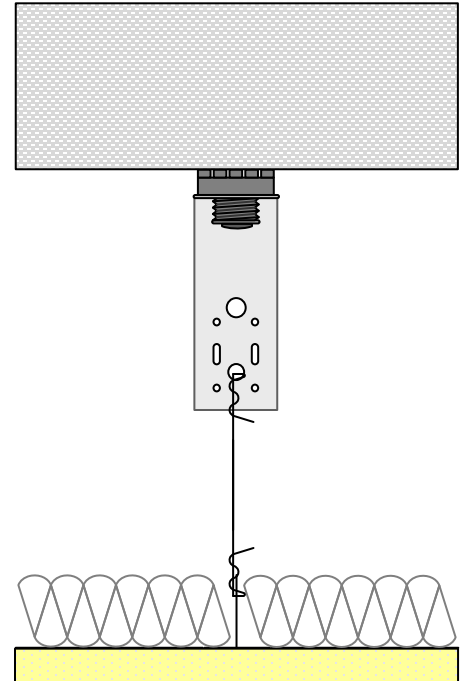
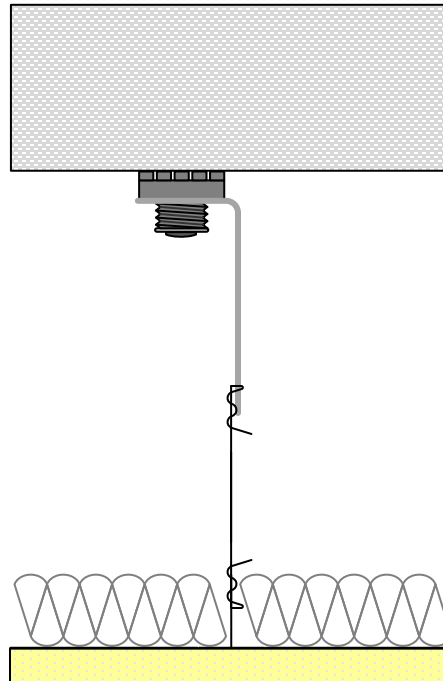
- RSIC-DC04 clip 4-1/2" tall
- RSIC-DC04 clip 1-5/8" wide
- RSIC-DC04 clip 1-3/4" Deep

RSIC-DC04 SOUND ISOLATION CLIP



Ceilings: Wood or Steel Framing.

- Resilient Sound Isolation Clip (RSIC-DC04) shall be Maximum 48 inches by 48 inches on center maximum.
- Fasten the Resilient Sound Isolation Clip (RSIC-DC04) to the structure members with approved fasteners.
- Ensure the internal metal ferrell is tight to the framing member.
- Locate the first and last row of RSIC-DC04 clips within 8 inches from the wall.
- Min. 12 Ga annealed hanger wire tied through the existing 1/4" hole in the vertical leg of the RSIC-DC04 clip.
- When using tie wire attached to the RSIC-DC04 clip to hang a drywall grid ceiling follow the installation instruction provided by the manufacturer of the grid ceiling system.

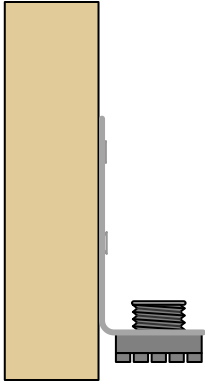


General Information:

- Resilient Sound Isolation Clip (RSIC-DC04) ceiling system shall not carry heavy loads such as cabinets or bookshelves
- Seal all potential air leaks with non-hardening acoustical caulking to achieve best noise control results. Use fire rated sealant where required.
- When attaching the RSIC clips to a steel stud the minimum allowable thickness of the steel stud is 20 Ga. (0.030).

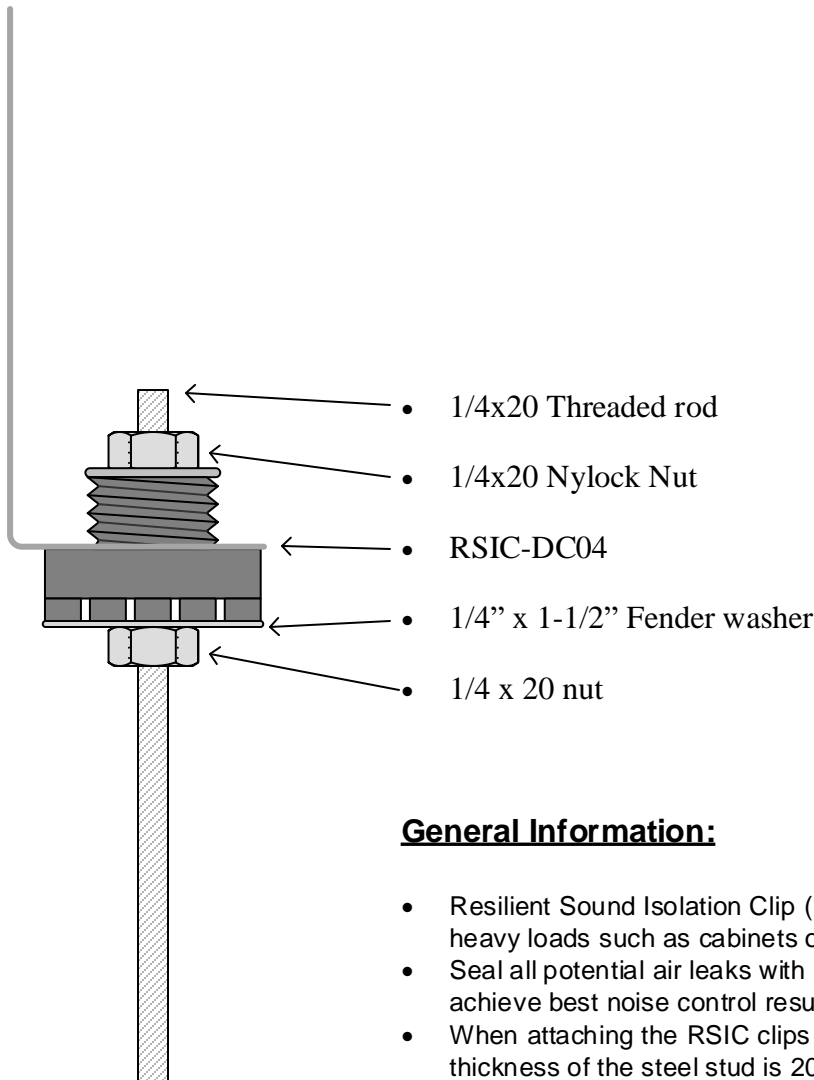
RSIC-DC04 SOUND ISOLATION CLIP

Wood or Steel Framing



Ceilings: Wood or Steel Framing.

- Resilient Sound Isolation Clip (RSIC-DC04) shall be spaced to support 36 lbs maximum.
- Fasten the Resilient Sound Isolation Clip (RSIC-DC04) to the structure members with 2 (min) approved fasteners.
- Ensure the clip is tight to the framing member.
- Locate the RSIC-DC04 clips within 8 inches from the wall.
- 1/4" threaded rod secured through the internal ferrule of the RSIC-DC04 clip with nuts and a fender washer to support the large side of the RSIC-DC04 clip rubber section.



General Information:

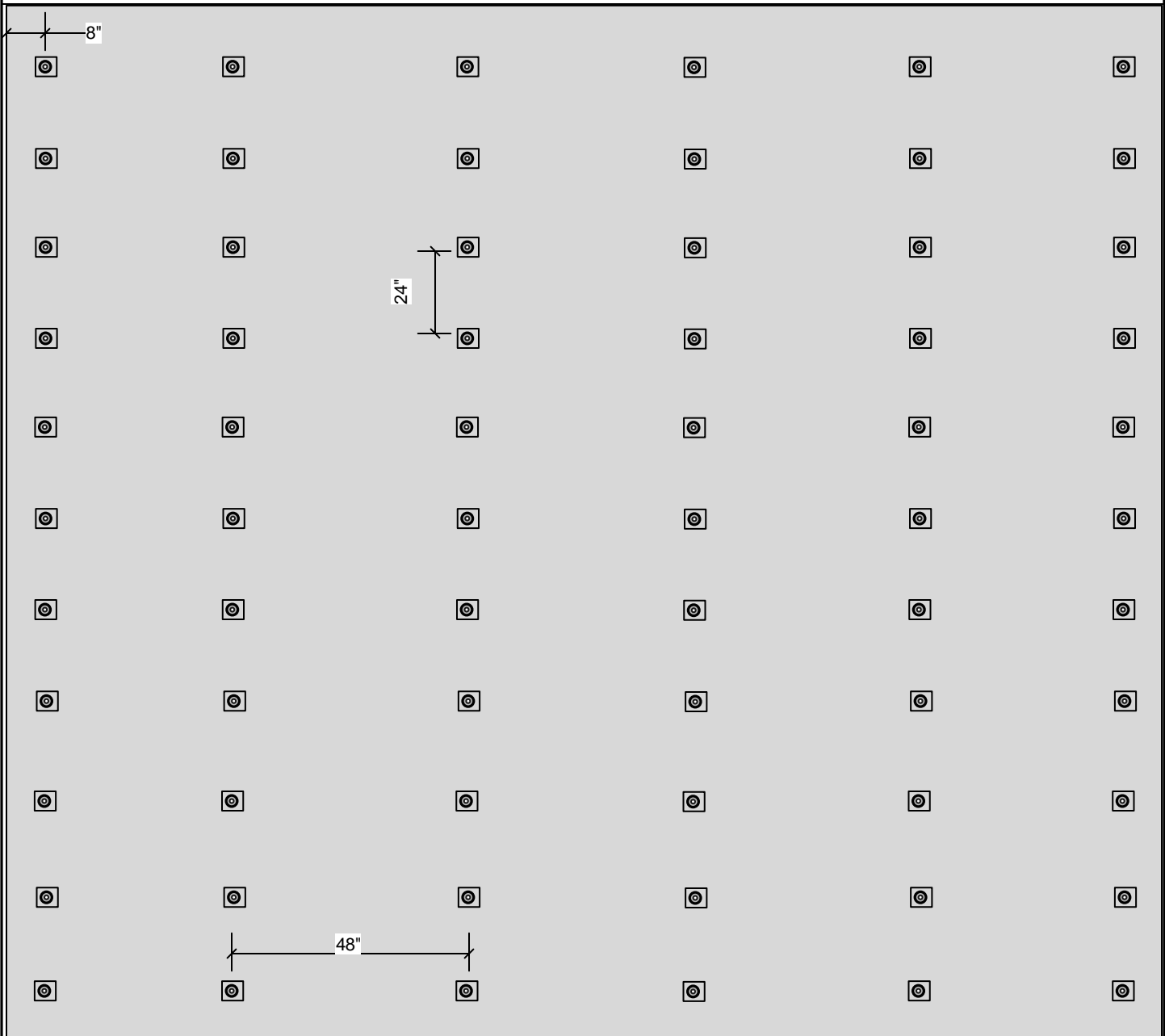
- Resilient Sound Isolation Clip (RSIC-DC04) ceiling system shall not carry heavy loads such as cabinets or bookshelves
- Seal all potential air leaks with non-hardening acoustical caulking to achieve best noise control results. Use fire rated sealant where required.
- When attaching the RSIC clips to a steel stud the minimum allowable thickness of the steel stud is 20 Ga. (0.030).

RSIC-DC04 SOUND ISOLATION CLIP

APPLICATION RECOMMENDATIONS FOR
CEILING, WOOD, STEEL, OR CONCRETE.

INSTALLING RESILIENT SOUND ISOLATION CLIPS (RSIC-DC04)
FOR 2 LAYERS 5/8" GYPSUM BOARD TYPE C

RSIC-DC04 CLIPS AT 24" x 48" OC.



PAC International, Inc. Tel: (866) 774-2100 Technical: (866) 649-2710 Web Site: www.pac-intl.com

PAC International, LLC. All Rights Reserved. • (866) 774-2100 • Fax (866) 649-2710
RSIC® is a registered Trade Mark of PAC International, LLC.

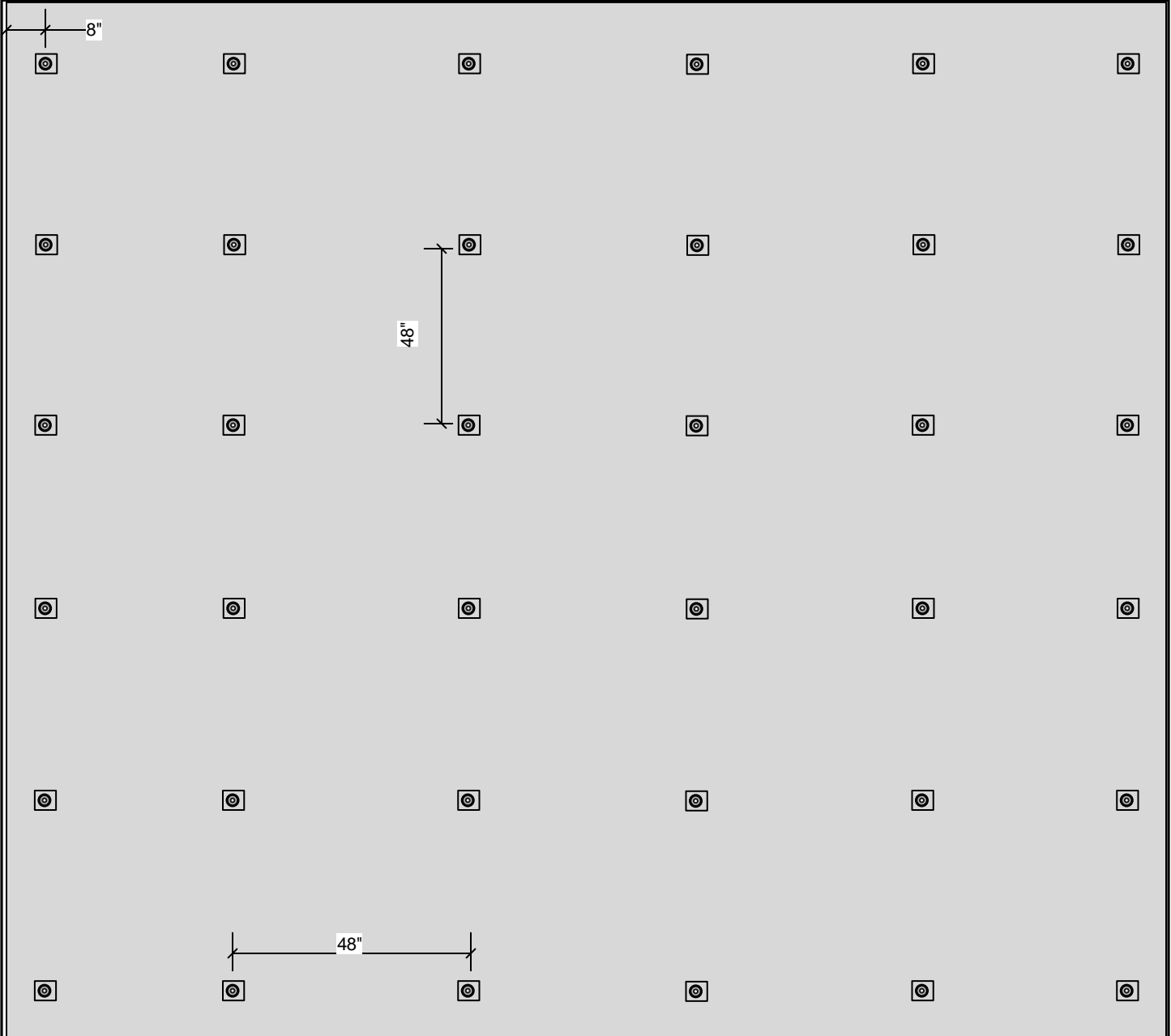
2020 01 24

RSIC-DC04 SOUND ISOLATION CLIP

APPLICATION RECOMMENDATIONS FOR
CEILING, WOOD, STEEL, OR CONCRETE.

INSTALLING RESILIENT SOUND ISOLATION CLIPS (RSIC-DC04)
FOR 1 LAYER 5/8" GYPSUM BOARD TYPE C

RSIC-DC04 CLIPS AT 48" x 48" OC.



PAC International, Inc. Tel: (866) 774-2100 Technical: (866) 649-2710 Web Site: www.pac-intl.com

PAC International, LLC. All Rights Reserved. • (866) 774-2100 • Fax (866) 649-2710
RSIC® is a registered Trade Mark of PAC International, LLC.

2020 01 24