



RSIC-CWB



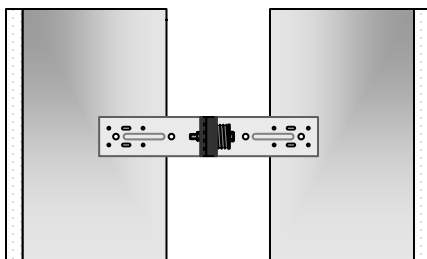
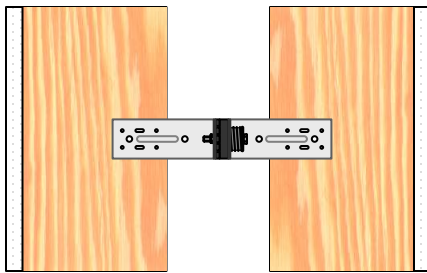
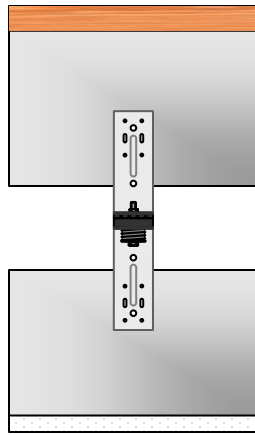
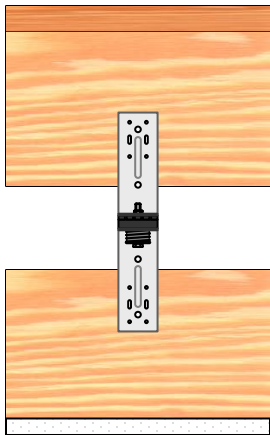
RSIC-CWB
(36 Lb Acoustical Rating)



RSIC-CWBHD/DD
(72 Lb Acoustical Rating)
HD/DD= Heavy Duty/Double Deflection



RSIC-CWBHD/DD-DC
(72 Lb Acoustical Rating)
DC= Deflection Control



RSIC is the Low Cost, High Performance, Noise control Solution

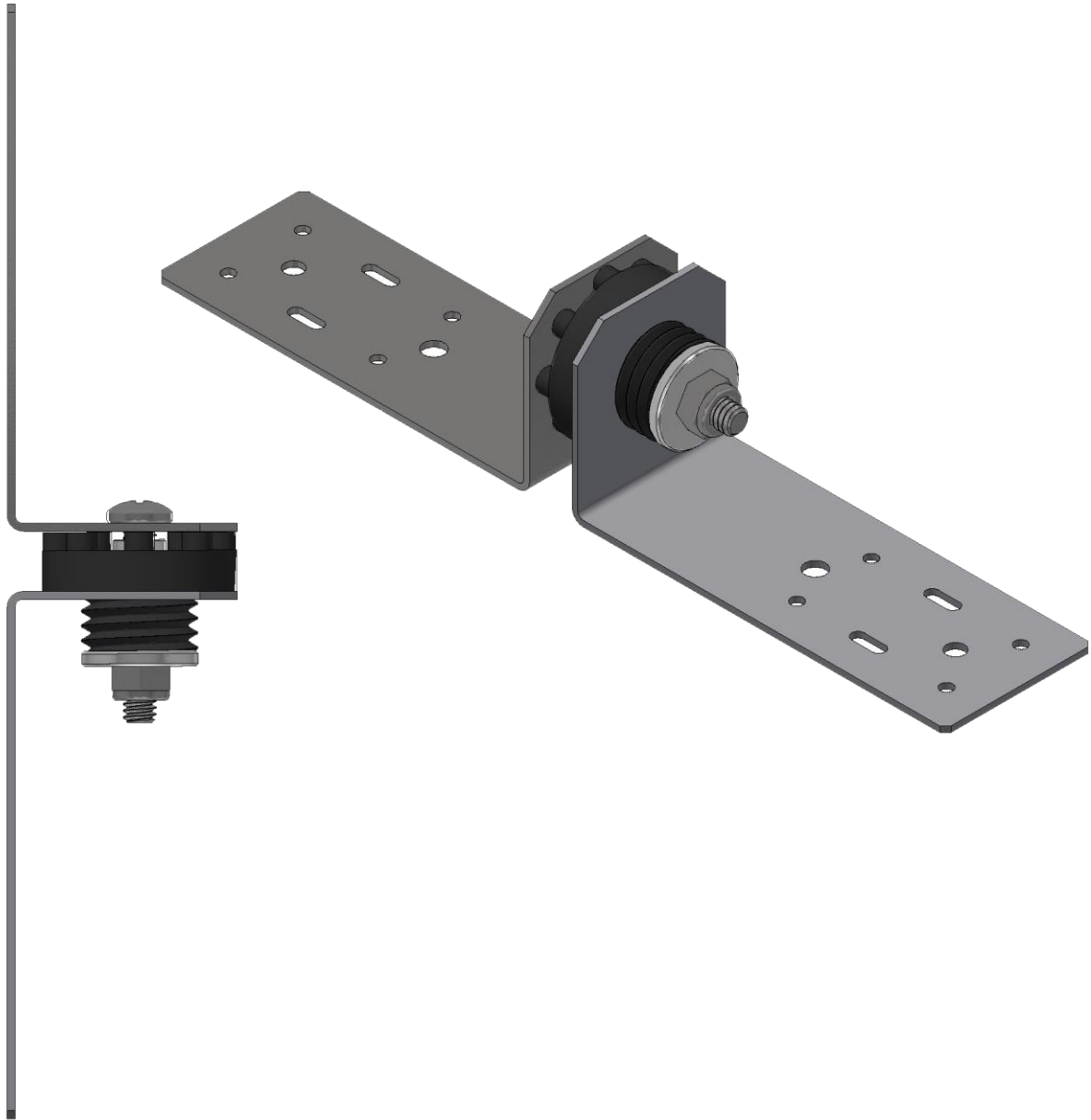
The **RSIC-CWB** is designed for use with any wood or steel framed system where a dropped ceiling, or secondary structure is needed such as a chase wall system. The RSIC-CWB isolator installs to the side of the ceiling or wall framing members. The RSIC-CWB Isolator has an acoustical design load rating of 36 lbs per isolator. The RSIC-CWBHD/DD Isolator has an acoustical design load rating of 72 lbs. The RSIC-CWBHD/DD-DC has an acoustical design load rating of 72 lbs.

Wood
Steel
Metal deck
Apartment
Retail
Conference Rooms

Condo
Commercial
Recording Studio
Home Theater
Commercial theater

RSIC-CWB specifications:	
Acoustical design load:	36 lbs or 72 lbs
Total deflection	3 mm
Double deflection	Yes (1.5 mm)
Made with Recycled content	Yes
Low VOC treated	Yes
Adjustable	Yes
Cavity min	2"
Cavity Max	4"
Adjustment limit	2"
Use on Ceilings	Yes
Use on walls	Yes
New Construction	Yes
Retro Fit	Yes
Assembled In USA	Yes

RSIC-CWB INSTALLATION GUIDE

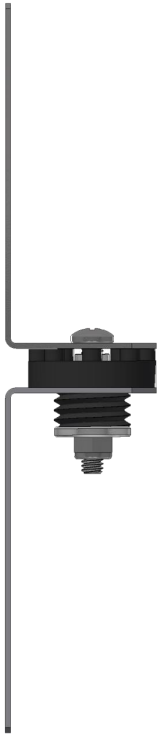


**SHIPPED FULLY
ASSEMBLED
AND CALIBRATED**

PAC International, Inc. Tel: (866) 774-2100 Technical: (866) 649-2710 Web Site: www.pac-intl.com

PAC International, LLC. All Rights Reserved. • (866) 774-2100 • Fax (866) 649-2710
RSIC® is a registered Trade Mark of PAC International, LLC.

RSIC-CWB SOUND ISOLATION CLIP



RSIC-CWB Isolator Spacing and load:

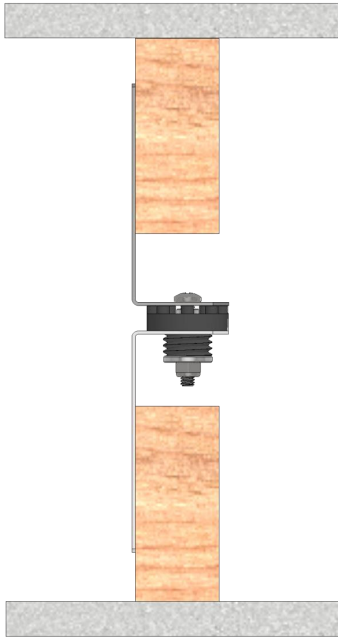
- **Maximum Acoustical Design Load:** 36 Lbs per isolator.
- **Maximum Spacing allowed:** 48" x 48" oc.



Approved Fasteners:

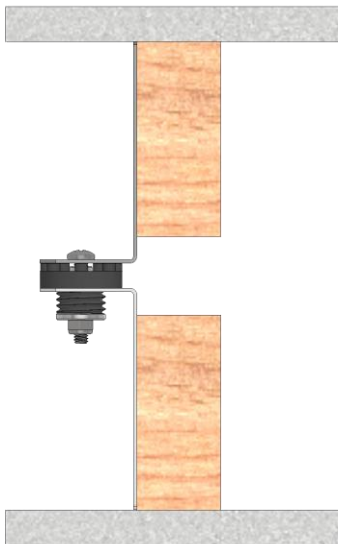
- **RSIC-CWB to Wood:** 1-1/4 inch minimum size coarse thread screw.
- **RSIC-CWB Steel:** #7 x 1/2 inch minimum size fine thread screw.
- DO NOT fasten Resilient Sound Isolation Clips (RSIC-CWB) to framing members with nails. Use only approved fasteners.

RSIC-CWB SOUND ISOLATION CLIP



Walls: Wood or Steel Framing

- RSIC-CWB maximum spacing vertically 48 inches OC.
- RSIC-CWB maximum spacing horizontally 24 inches OC.
- Max Acoustical load 36 lbs
- Fasten the RSIC-CWB to the structure members with approved fasteners
- Locate the first and last row of RSIC-CWB clips within 8 inches from the floor, and 8 inches from the ceiling.
- Minimum 2 screws per connection point.



General Information:

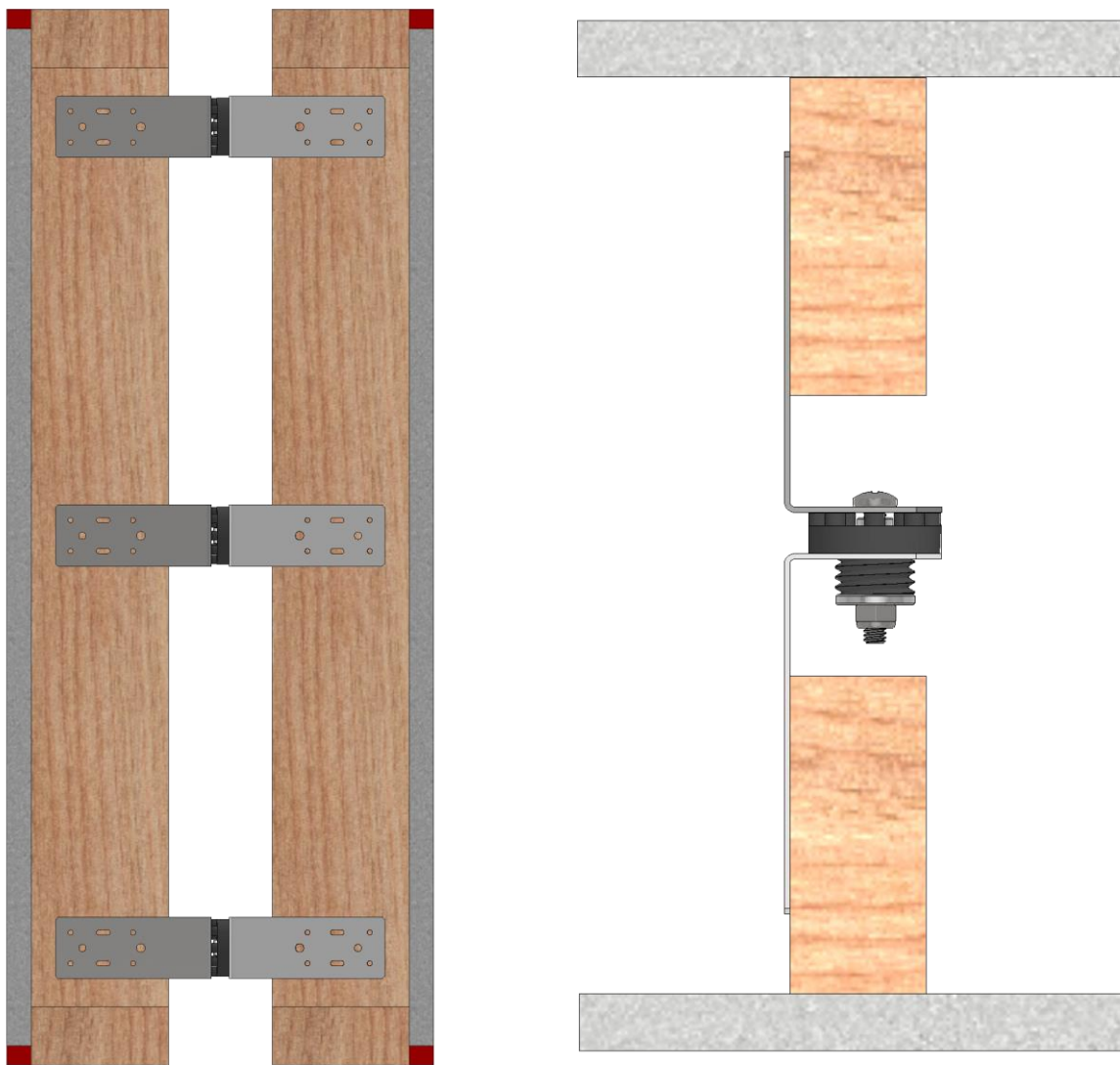
- RSIC-CWB system shall not carry heavy loads such as cabinets or bookshelves
- Seal all potential air leaks with non-hardening acoustical caulking to achieve best noise control results. Use fire rated sealant where required.
- When attaching the RSIC clips to a steel stud the minimum allowable thickness of the steel stud is 25 Ga. (0.030").

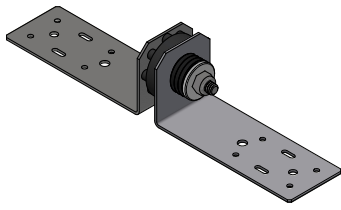


RSIC-CWB SOUND ISOLATION CLIP

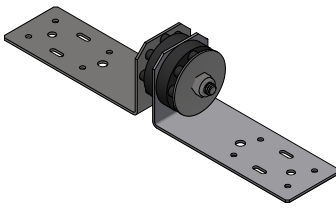
Application recommendations for wood or steel

RSIC-CWB Clips at 24" x 48" OC. Max

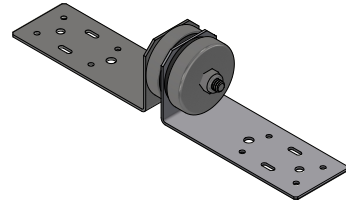




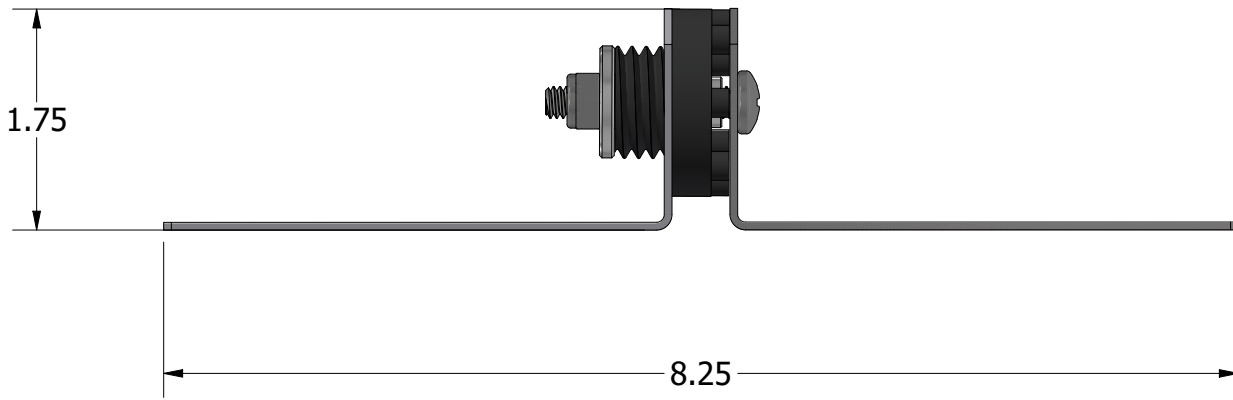
RSIC-CWB



RSIC-CWB HD/DD



RSIC-CWB HD/DD-DC



RSIC-CWB

7/15/2021

SCALE 2/3



World Leader in Noise Control Solutions





**NOISE
CONTROL
SOLUTIONS**

REAL SOLUTIONS IN CONSTRUCTION

LEED Analysis
RSIC-CWB

Recycled Content

PAC International's RSIC-CWB does not contain significant recycled content.

Fabrication Location

The RSIC-CWB is manufactured in Canby, OR 97013

Material Source

The extraction points for the materials in these products cannot be verified. Assume they are outside the 500 mile radius.



RSIC-1
RSIC-SI-X
RSIC-SI-X ADM
RC-1 Boost
PAC-RCB
RSIC-SI-1 Ultra
RSIC-SI-CRC EZ
RSIC-SI-WHI
RSIC-SI-FF
RSIC-1 EXT04
RISC-1.5 CRC
RSIC-1 Low Profile
RSIC-1 Edge
RSIC-1 TTC
RSIC-1 Retro
RSIC-1 Backer
RSIC-1 ADM
RSIC-U
RSIC-U-HD
RSIC-WFI
RSIC-FGP
RSIC-DC04
RSIC-DC04 HD/DD
RSIC-DC04X2
RSIC-DC04X2 HD/DD
RSIC-V
RSIC-2
RSIC-2 Retro
RSIC-CWB
RSIC-CWB HD/DD
RSIC-CWB HD/DD DC
RSIC-Joist Isolator
RSIC-GDS Kit
RSIC-AMI
RSIC-FS TV
RSIC-Perimeter Tape
RSIC Super Screw
RSIC-Putty Pad
RSIC-Multi Clip
RSIC-FRC-HD
PAC-IFB

Safety Data Sheet

Article Statement

(PAC International, LLC Wall and Ceiling Isolation Products)

This document is provided for clarification of the Safety Data Sheets that you have requested for our product(s). OSHA Hazard Communication Standard requires a SDS for hazardous chemicals; however, the standard exempts all articles from the requirement. The explanation of an article is described per OSHA definition below.

Pursuant to 29 CFR 1910.1200 (b) (6) (v) and (c), the product described herein is an “article” or is otherwise excluded from OSHA regulations requiring that a Material Safety Data Sheet be prepared for it.

An article defined: manufactured item other than a fluid or particle: (i) which is formed to a specific shape or design during manufacturing; (ii) which has an end use function (s) dependent in whole or in part upon its shape or design during end use; and (iii) which does not release, or other wise result in exposure to, a hazardous chemical under normal conditions of use.

For technical information and additional resources covering these products please refer to PAC International published literature, e.g., data sheets, product drawings, and installation guidelines at www.pac-intl.com

As of the date of this document, the foregoing information is believed to be accurate and is provided in good faith to comply with applicable federal and state laws. However, no warranty or representation of law or fact, with respect to such information, is intended or given.



World Leader in
Noise Control
Solutions



RSIC-1
RSIC-SI-X
RSIC-SI-X ADM
RC-1 Boost
PAC-RCB
RSIC-SI-1 Ultra
RSIC-SI-CRC EZ
RSIC-SI-WHI
RSIC-SI-FF
RSIC-1 EXT04
RISC-1.5 CRC
RSIC-1 Low Profile
RSIC-1 Edge
RSIC-1 TTC
RSIC-1 Retro
RSIC-1 Backer
RSIC-1 ADM
RSIC-U
RSIC-U-HD
RSIC-WFI
RSIC-FGP
RSIC-DC04
RSIC-DC04 HD/DD
RSIC-DC04X2
RSIC-DC04X2 HD/DD
RSIC-V
RSIC-2
RSIC-2 Retro
RSIC-CWB
RSIC-CWB HD/DD
RSIC-CWB HD/DD DC
RSIC-Joist Isolator
RSIC-GDS Kit
RSIC-AMI
RSIC-FS TV
RSIC-Perimeter Tape
RSIC Super Screw
RSIC-Putty Pad
RSIC-Multi Clip
RSIC-FRC-HD
PAC-IFB

RSIC Product Warranty Disclaimer

WARRANTY DISCLAIMER AND LIABILITY LIMITATION LANGUAGE

NO EXPRESS OR IMPLIED WARRANTIES

THERE IS NO WARRANTY, REPRESENTATION OR CONDITION OF ANY KIND; AND ANY WARRANTY, EXPRESS OR IMPLIED, IS EXCLUDED AND DISCLAIMED, INCLUDING THE IMPLIED WARRANTIES OF MERCHANTABILITY AND OF FITNESS FOR A PARTICULAR PURPOSE. Some states do not allow limitations on implied warranties, so the above limitation may not apply to you.

LIABILITY LIMITED TO RETURN OF PURCHASE PRICE

IT IS AGREED THAT SELLER'S LIABILITY AND PURCHASER'S SOLE REMEDY, WHETHER IN CONTRACT, UNDER ANY WARRANTY, IN TORT (INCLUDING NEGLIGENCE), IN STRICT LIABILITY OR OTHERWISE, SHALL NOT EXCEED THE RETURN OF THE AMOUNT OF THE PURCHASE PRICE PAID BY PURCHASER, AND UNDER NO CIRCUMSTANCES SHALL SELLER BE LIABLE FOR ANY SPECIAL, INCIDENTAL OR CONSEQUENTIAL DAMAGES, INCLUDING, BUT NOT LIMITED TO, PERSONAL INJURY, PROPERTY DAMAGE, DAMAGE TO OR LOSS OF EQUIPMENT, LOST PROFITS OR REVENUE, COSTS OF RENTING REPLACEMENTS AND OTHER ADDITIONAL EXPENSES, EVEN IF SELLER HAS BEEN ADVISED OF THE POSSIBILITY OF SUCH DAMAGES. THE PRICE STATED FOR THE EQUIPMENT IS A CONSIDERATION IN LIMITING SELLER'S LIABILITY AND PURCHASER'S REMEDY. Some states do not allow the exclusion or limitation of incidental or consequential damages, so the above limitation or exclusion may not apply to you.

SELLER NOT LIABLE FOR PURCHASER'S NEGLIGENCE

SELLER WILL NOT BE LIABLE FOR ANY DAMAGES, LOSSES OR EXPENSES AS A RESULT OF PURCHASER'S NEGLIGENCE, WHETHER DEEMED ACTIVE OR PASSIVE AND WHETHER OR NOT ANY SUCH NEGLIGENCE IS THE SOLE CAUSE OF ANY SUCH DAMAGE, LOSS OR EXPENSE.

MODEL FOR DEMONSTRATION PURPOSES ONLY

THE MODEL OR SAMPLE SHOWN BY SELLER TO BUYER IS USED FOR DEMONSTRATION PURPOSES ONLY. THERE IS NO WARRANTY THAT THE GOODS AS DELIVERED SHALL CONFORM TO THE MODEL OR SAMPLE, AND CONFORMITY OF THE GOODS TO THE MODEL OR SAMPLE IS NOT PART OF THE BASIS OF THE BARGAIN BETWEEN SELLER AND BUYER.

NO WARRANTY OR COMPLIANCE WITH SAFETY CODE OR REGULATION

SELLER DOES NOT WARRANT THAT ANY OF THE GOODS SOLD WILL MEET OR COMPLY WITH THE REQUIREMENTS OF ANY SAFETY CODE, BUILDING OR DWELLING CODE, OR REGULATION OF ANY STATE, MUNICIPALITY OR OTHER JURISDICTION.

NEVADA LAW APPLIES

SELLER AND BUYER AGREE THAT ALL ASPECTS OF THIS TRANSACTION INCLUDING THE APPLICABLE STATUTE OF LIMITATIONS SHALL BE GOVERNED BY THE INTERNAL LAW OF THE STATE OR NEVADA, AND NOT THE LAWS OF CONFLICTS.

This warranty gives you specific legal rights, and you may also have other rights which vary from state to state