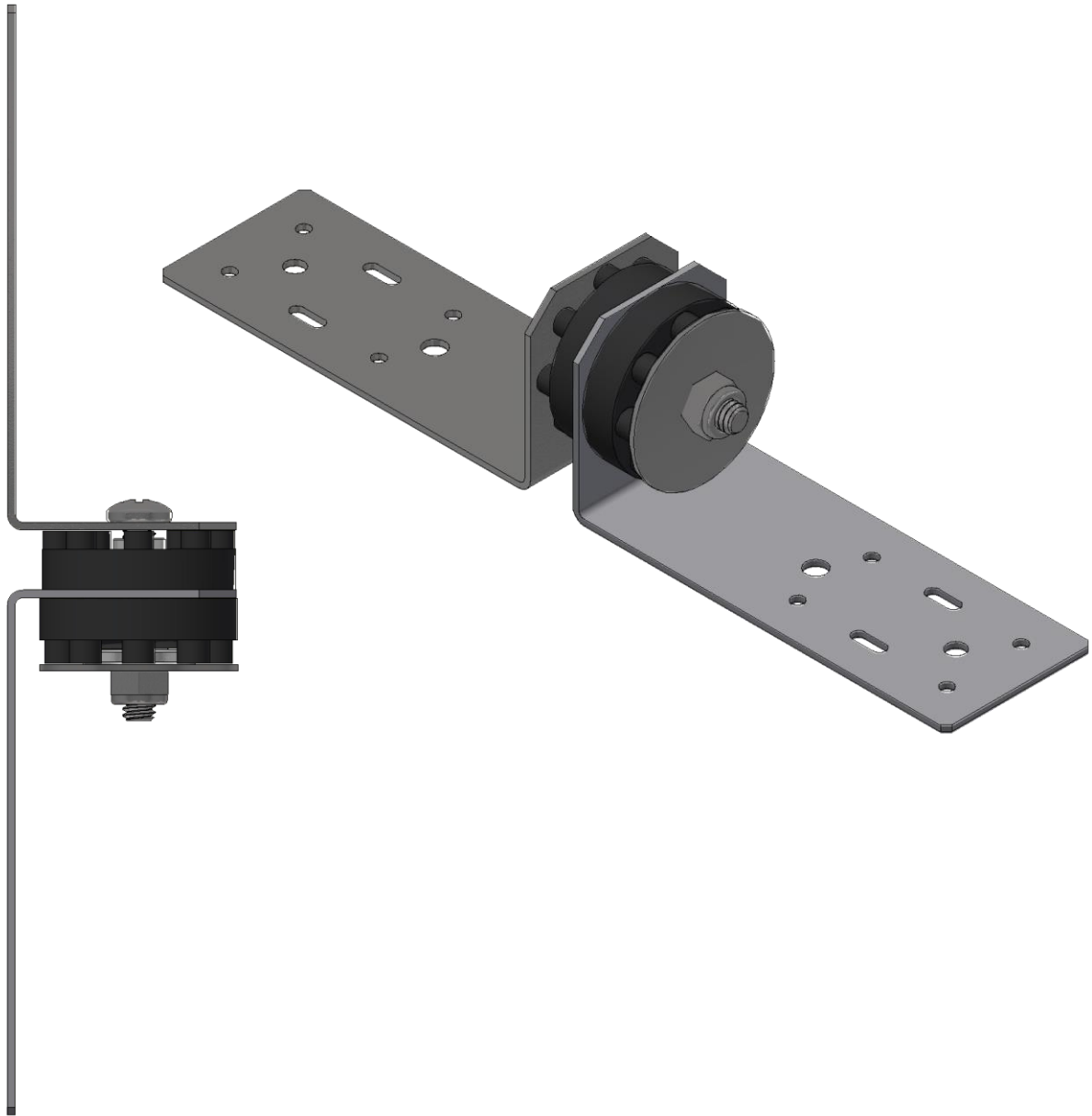


RSIC-CWB HD/DD INSTALLATION GUIDE

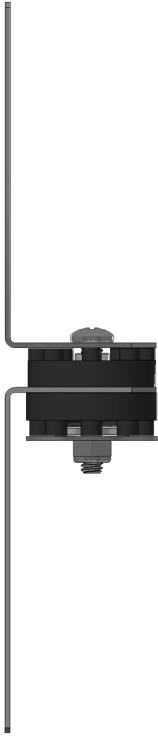


**SHIPPED FULLY
ASSEMBLED
AND CALIBRATED**

PAC International, Inc. Tel: (866) 774-2100 Technical: (866) 649-2710 Web Site: www.pac-intl.com

PAC International, LLC. All Rights Reserved. • (866) 774-2100 • Fax (866) 649-2710
RSIC® is a registered Trade Mark of PAC International, LLC.

RSIC-CWB HD/DD SOUND ISOLATION CLIP



RSIC-CWB HD/DD Isolator Spacing and load:

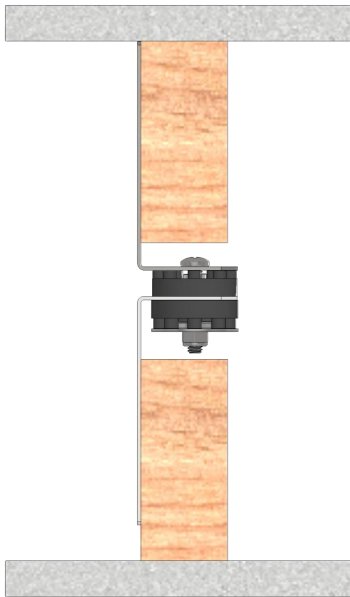
- **Maximum Acoustical Design Load:** 72 Lbs per isolator.
- **Maximum Spacing allowed:** 48" x 48" oc.



Approved Fasteners:

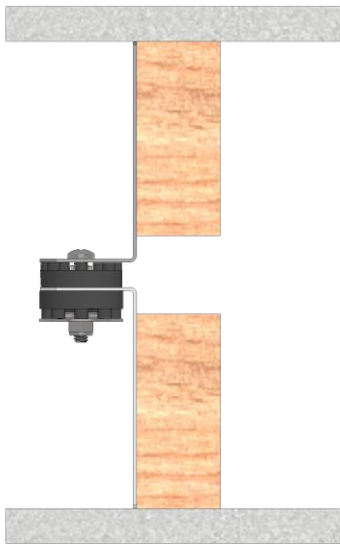
- **RSIC-CWB HD/DD to Wood:** 1-1/4 inch minimum size coarse thread screw.
- **RSIC-CWB HD/DD Steel:** #7 x 1/2 inch minimum size fine thread screw.
- DO NOT fasten Resilient Sound Isolation Clips (RSIC-CWB HD/DD) to framing members with nails. Use only approved fasteners.

RSIC-CWB HD/DD SOUND ISOLATION CLIP



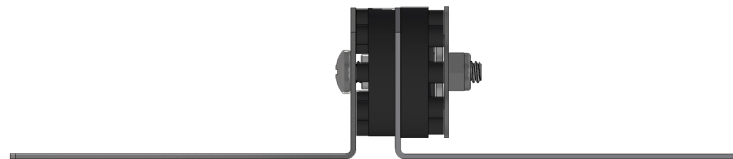
Walls: Wood or Steel Framing

- RSIC-CWB HD/DD maximum spacing vertically 48 inches OC.
- RSIC-CWB HD/DD maximum spacing horizontally 24 inches OC.
- Max Acoustical load 72 lbs
- Fasten the RSIC-CWB to the structure members with approved fasteners
- Locate the first and last row of RSIC-CWB clips within 8 inches from the floor, and 8 inches from the ceiling.
- Minimum 2 screws per connection point.



General Information:

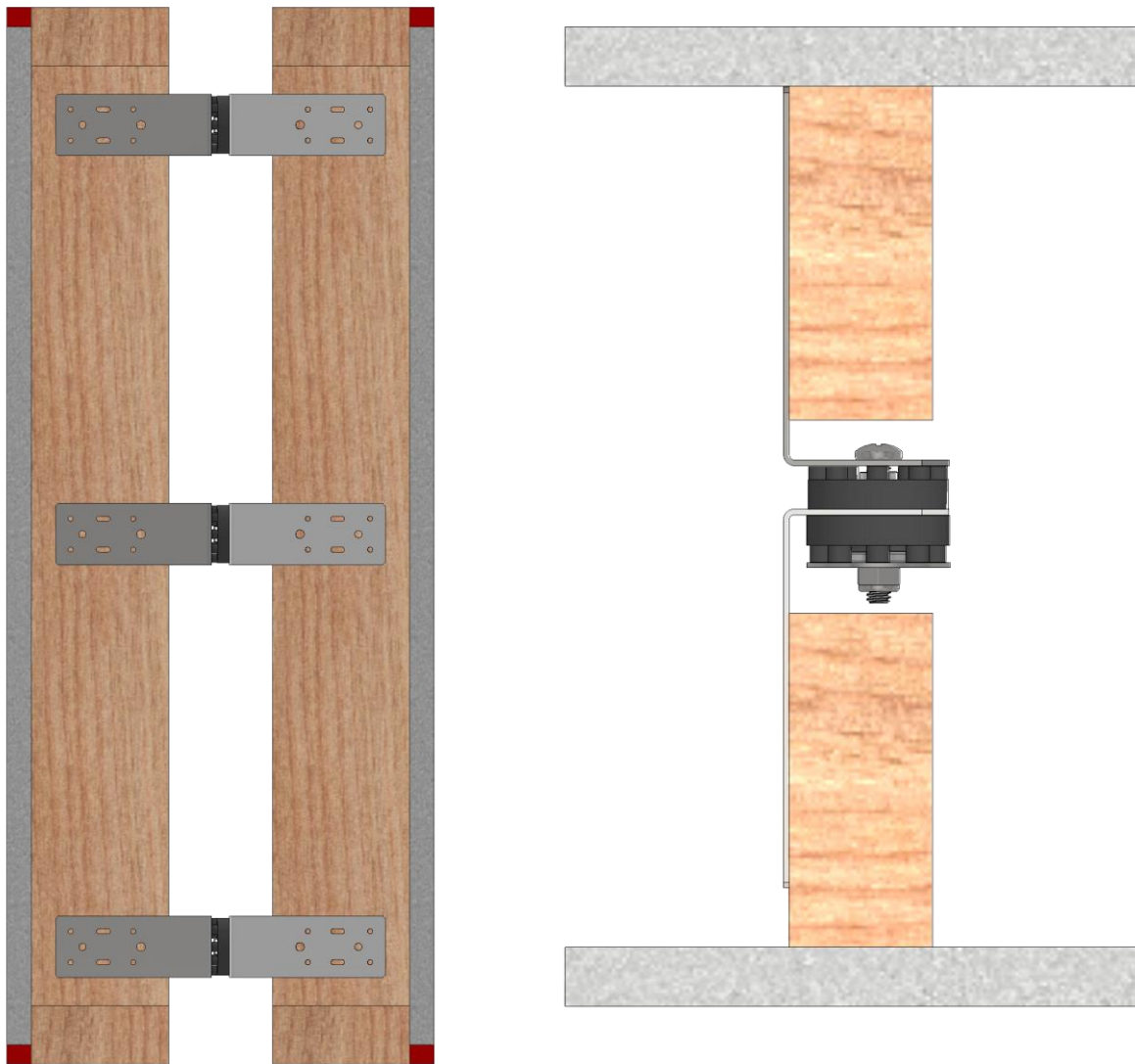
- RSIC-CWB HD/DD system shall not carry heavy loads such as cabinets or bookshelves
- Seal all potential air leaks with non-hardening acoustical caulking to achieve best noise control results. Use fire rated sealant where required.
- When attaching the RSIC clips to a steel stud the minimum allowable thickness of the steel stud is 25 Ga. (0.030").



RSIC-CWB HD/DD SOUND ISOLATION CLIP

Application recommendations for wood or steel

RSIC-CWB HD/DD Clips at 24" x 48" OC. Max



PAC International, Inc. Tel: (866) 774-2100 Technical: (866) 649-2710 Web Site: www.pac-intl.com

PAC International, LLC. All Rights Reserved. • (866) 774-2100 • Fax (866) 649-2710

RSIC® is a registered Trade Mark of PAC International, LLC.