

PAC International



REAL SOLUTIONS IN CONSTRUCTION

NOISE CONTROL SOLUTIONS

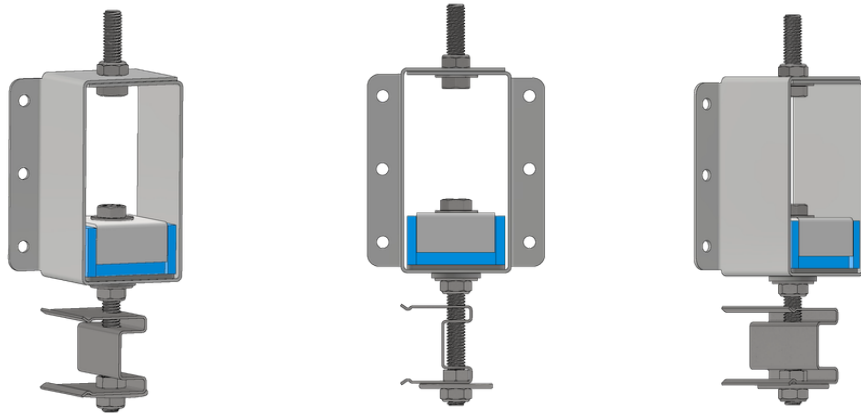
SPRING PERFORMANCE WITH RSIC-1[®] SIMPLICITY



RSIC[®]-ADAPT

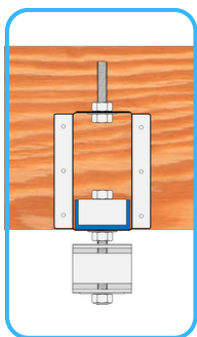
PAC International, LLC.
World Class Noise Control Solutions
Canby, OR – Las Vegas, NV
866-774-2100
info@pac-intl.com
www.pacinternationallc.com

HELLO SPRING PERFORMANCE, GOODBYE SHOP DRAWINGS!



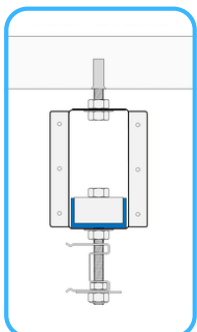
The RSIC-ADAPT is a high-performance, fully-adaptable ceiling isolator engineered for compatibility with all standard PAC International mounting options. Its proprietary, high-capacity foam-based design enables seamless installation on wood, steel, mass timber, or concrete structures—no modifications required. The RSIC-ADAPT delivers acoustical performance comparable to traditional spring isolators without the need for engineered shop drawings. Backed by PAC International’s 50 years of construction expertise, it may be the easiest hanger you’ll ever install.

MOUNTING OPTIONS



RSIC[®]-ADAPT Side Mount

Side mount to wood or steel



RSIC[®]-ADAPT Top Mount

Top mount to concrete or mass timber

SPECIFICATIONS

Acoustical Design Load	Up to 160 lb
Total Deflection	less than 1/8"
Natural Frequency	12-14 Hz
Adjustable	Yes
Side Mount	Yes
Top Mount	Yes
Use in New Construction	Yes
Use in Retrofit	Yes
Pre-Compressed	N/A
Pre-Assembled	Yes
Vibration Isolation	Yes

Test Results Comparison

Traditionally, springs are chosen for their superior acoustical performance; however, springs come with significantly increased complexity and costs. The gold standard for comparing acoustical products is back-to-back tests in the same accredited acoustical laboratory. PAC has become known for applying this approach as a leader in the acoustical products industry. We applied this method to compare the RSIC-ADAPT against traditional springs. The results below show that the RSIC-ADAPT provides superior impact sound insulation (IIC & HIIC) and identical airborne sound isolation (STC). Per PAC's installation guidelines, the RSIC-ADAPT was tested with the same capacity isolator in all locations. In contrast, the springs used a traditional layout with varying capacities to provide uniform deflection. The superior test results of the ADAPT demonstrate that engineered shop drawings aren't needed to achieve excellent acoustical performance.

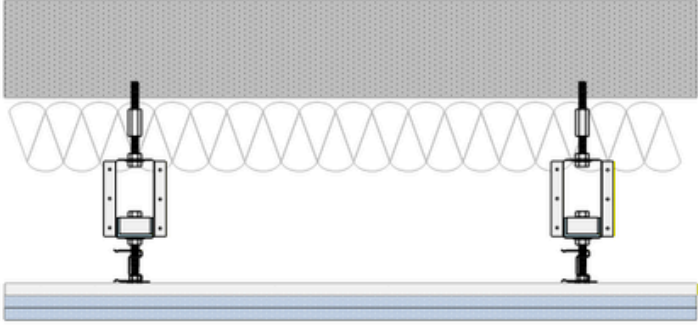
PAC
International

0031-177.1 (Maxxon)

CONSTRUCTION

- Bare
- 6" (152mm) Concrete Slab
- 3-1/2" (89mm) R-13 Fiberglass Insulation
- 14" (356mm) Airspace
- PAC RSIC-ADAPT @ 48" x 48" oc. (1219x1219mm)
- 1-1/2" (38mm) Cold Rolled Channel @ 48" o.c. (1219mm)
- Drywall Furring Channel @ 16" oc. (406mm)
- 2 Layers 5/8" (16mm) PABCO Type C Gypsum Board

STC: 70 IIC: 68 HIIC: 68



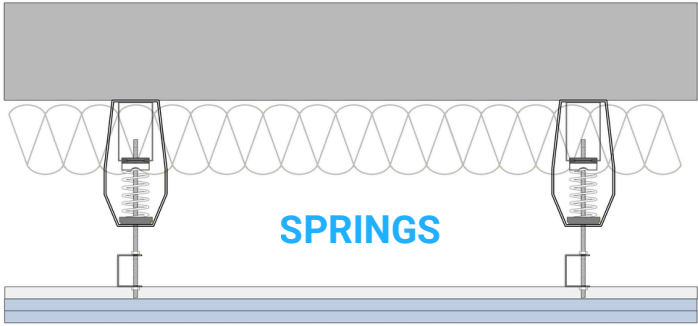
PAC
International

0031-169.2R1 (Maxxon)

CONSTRUCTION

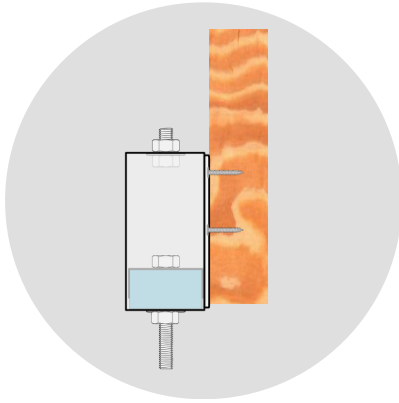
- Bare
- 6" (152mm) Concrete Slab
- 3-1/2" (89mm) R-13 Fiberglass Insulation
- 14" (356mm) Airspace
- Kinetics ICC @ 48" x 48" oc. (1219x1219mm)
- Drywall Furring Channel @ 16" oc. (406mm)
- 2 Layers 5/8" (16mm) PABCO Type C Gypsum Board

STC: 70 IIC: 62 HIIC: 64



SPRINGS

RSIC®-ADAPT VARIATIONS

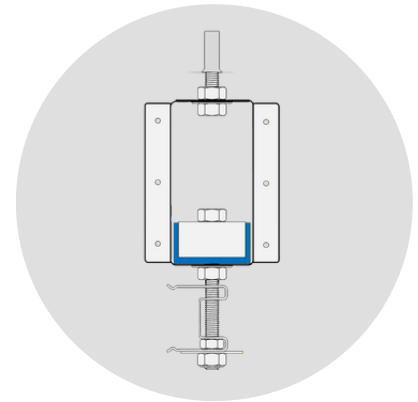


RSIC®-ADAPT Side Mount installation

- Can be mounted to wood or steel trusses/joists
- Minimal deflection = less ceiling drop/tighter tolerances
- Field-adaptable for construction variations - no need for revised shop drawings
- Versions for:
 - Cold-rolled channel and hat channel
 - Drywall grid

RSIC®-ADAPT Top Mount Isolation

- Mounts directly to the underside of concrete, metal decks, & mass timber
- Easy installation of seismic bracing
- Minimal deflection = less ceiling drop/tighter tolerances
- Field-adaptable for construction variations - no need for revised shop drawings
- Versions for:
 - Cold-rolled channel and hat channel
 - Drywall grid



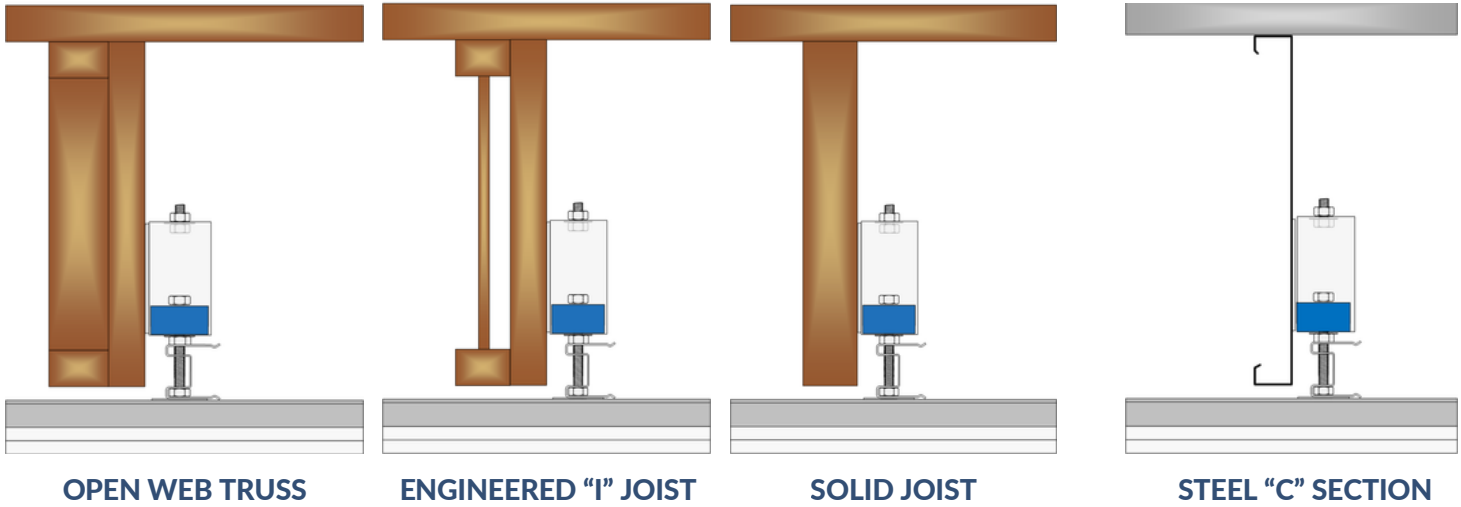
RSIC®-ADAPT FEATURES



RSIC®-ADAPT Side Mount

Wood

Steel



OPEN WEB TRUSS

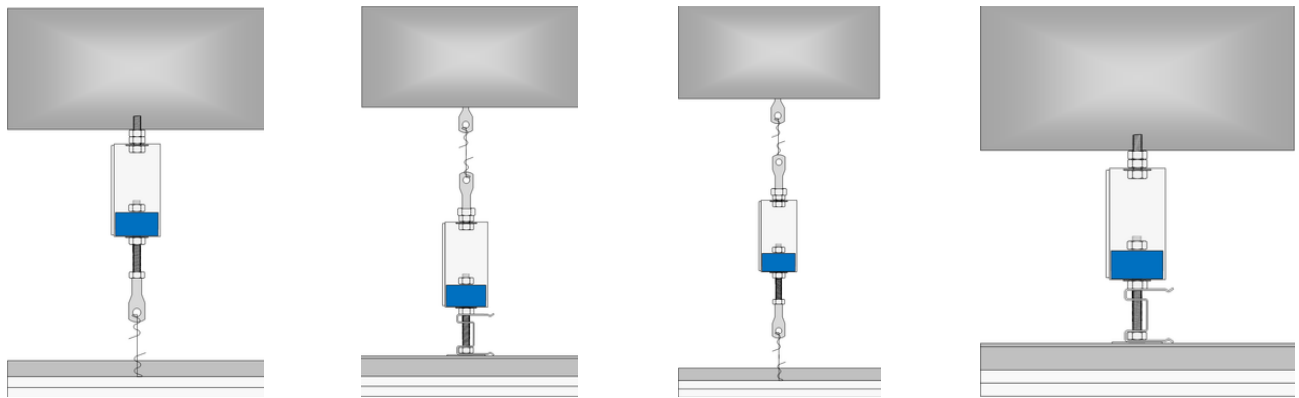
ENGINEERED "I" JOIST

SOLID JOIST

STEEL "C" SECTION

RSIC®-ADAPT Top Mount

Concrete



RSIC®-ADAPT BW

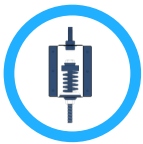
RSIC®-ADAPT WC

RSIC®-ADAPT WW

RSIC®-ADAPT BC



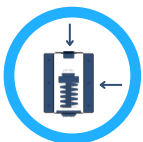
No layout required, in stock and ready to ship



One type for the whole ceiling at a specific load



Superior acoustical performance compared to traditional springs



Universal side or top mount