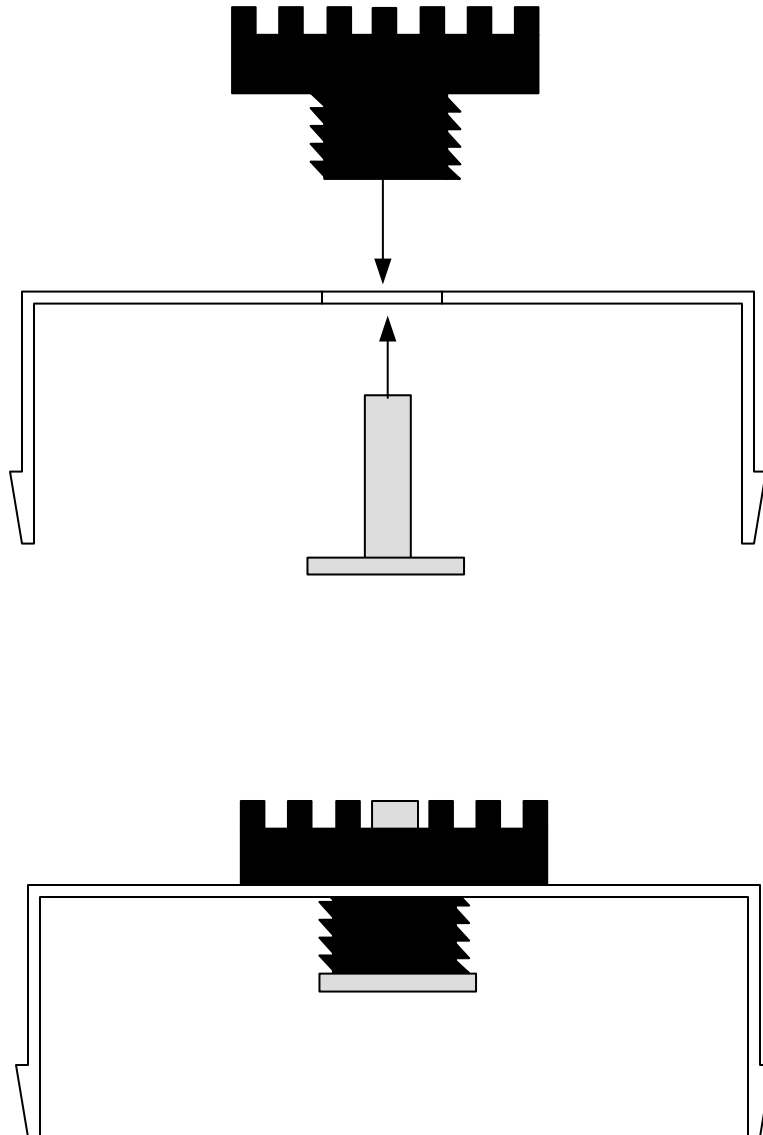


RSIC-AMI Acoustical Mullion Isolator

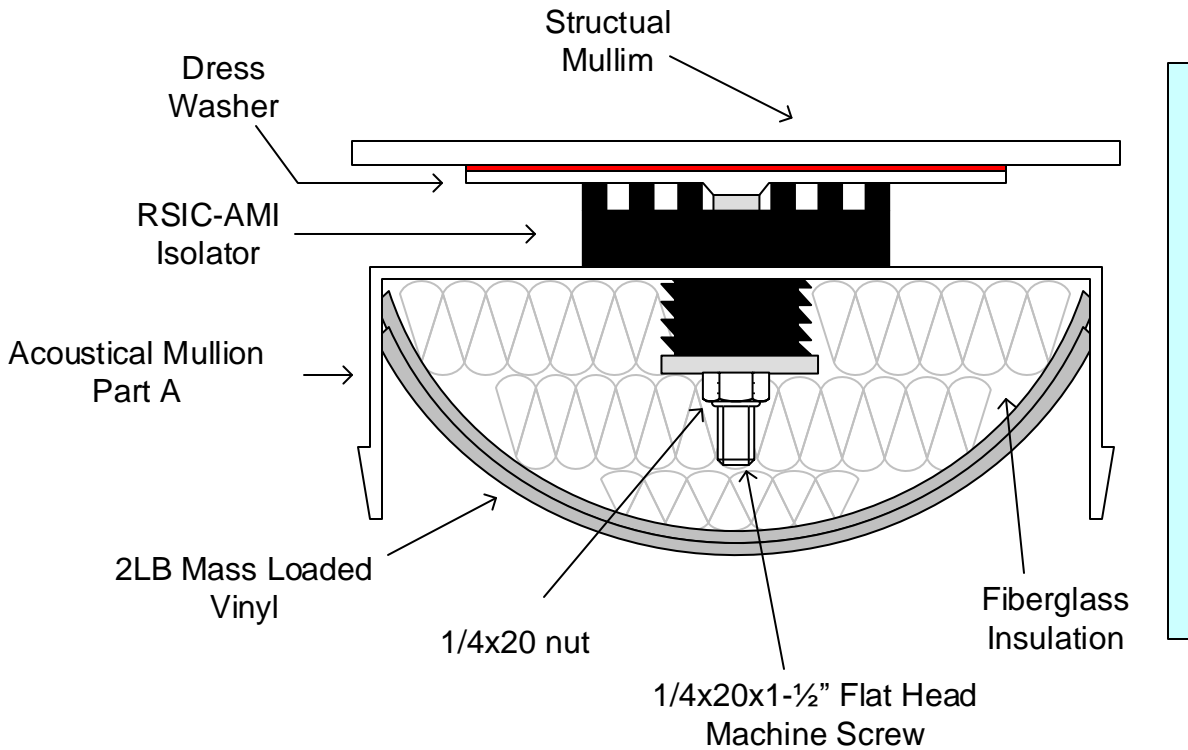
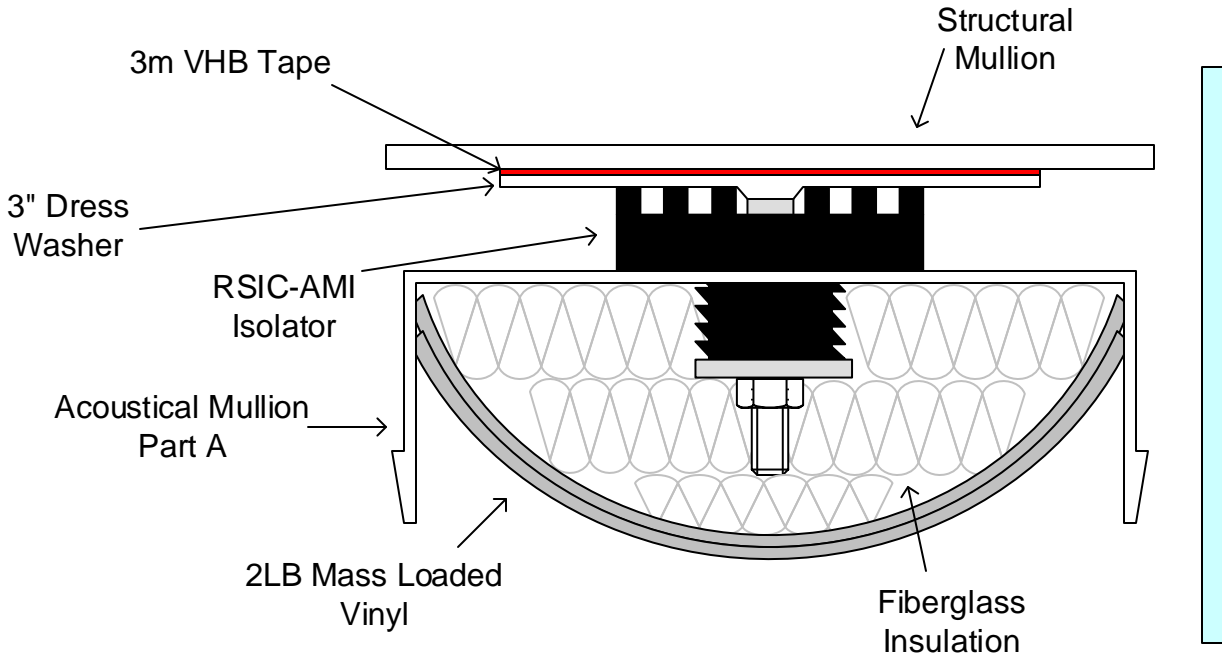
Punch or drill $\frac{3}{4}$ " hole in mullion at 24" intervals. (mullion supplied by others)
Press or screw rubber isolator through $\frac{3}{4}$ " holes.
Press the metal ferrule supplied with the RSIC-AMI into the rubber isolator.



RSIC-AMI Acoustical Mullion Isolator

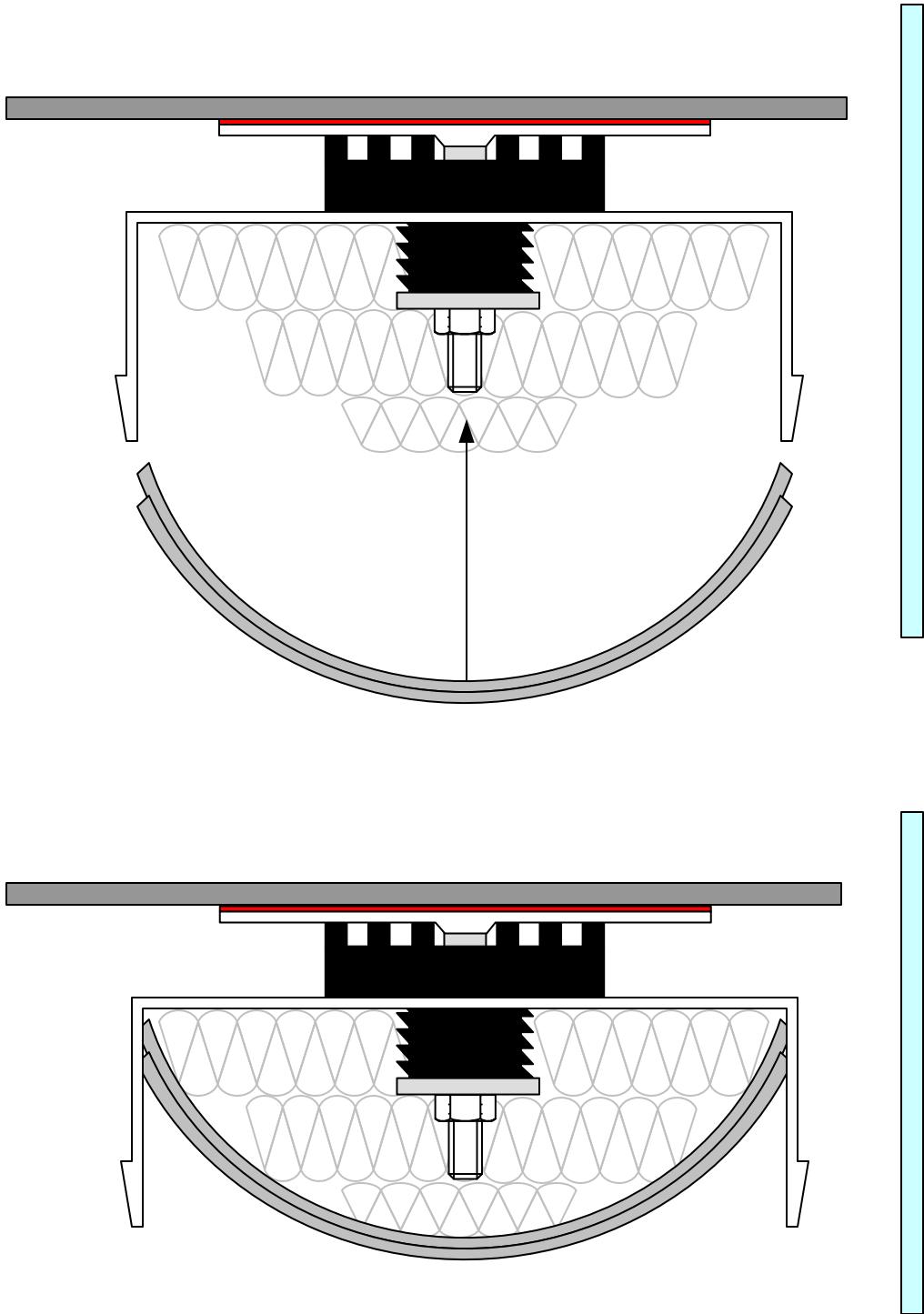
Install the RSIC-AMI Mullion section to the structural mullion.

Use Elevator bolt fastened to mullion using two sided VHB adhesive tape rated to support the total load of the Acoustical mullion, 1/4x20 threads and lock nut to secure the RSIC-AMI to the structural mullion. (fasteners supplied by others)



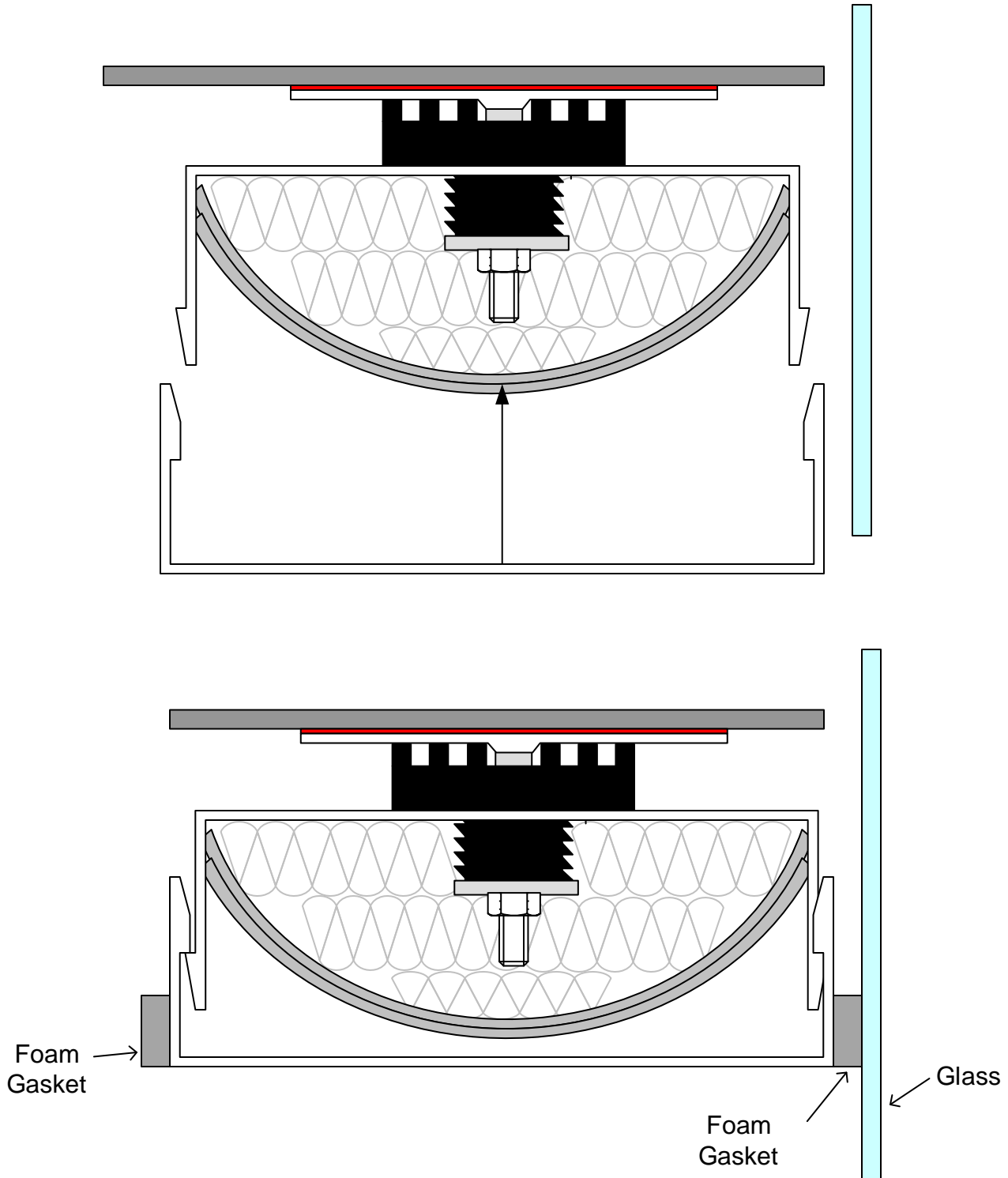
RSIC-AMI Acoustical Mullion Isolator

Mount the insert insulation around the RSIC-AMI clip
Cut/Trim Mass loaded vinyl slightly larger than the mullion section and friction fit into the cavity space over the insulation. (Insulation and 2lb MLV supplied by others)



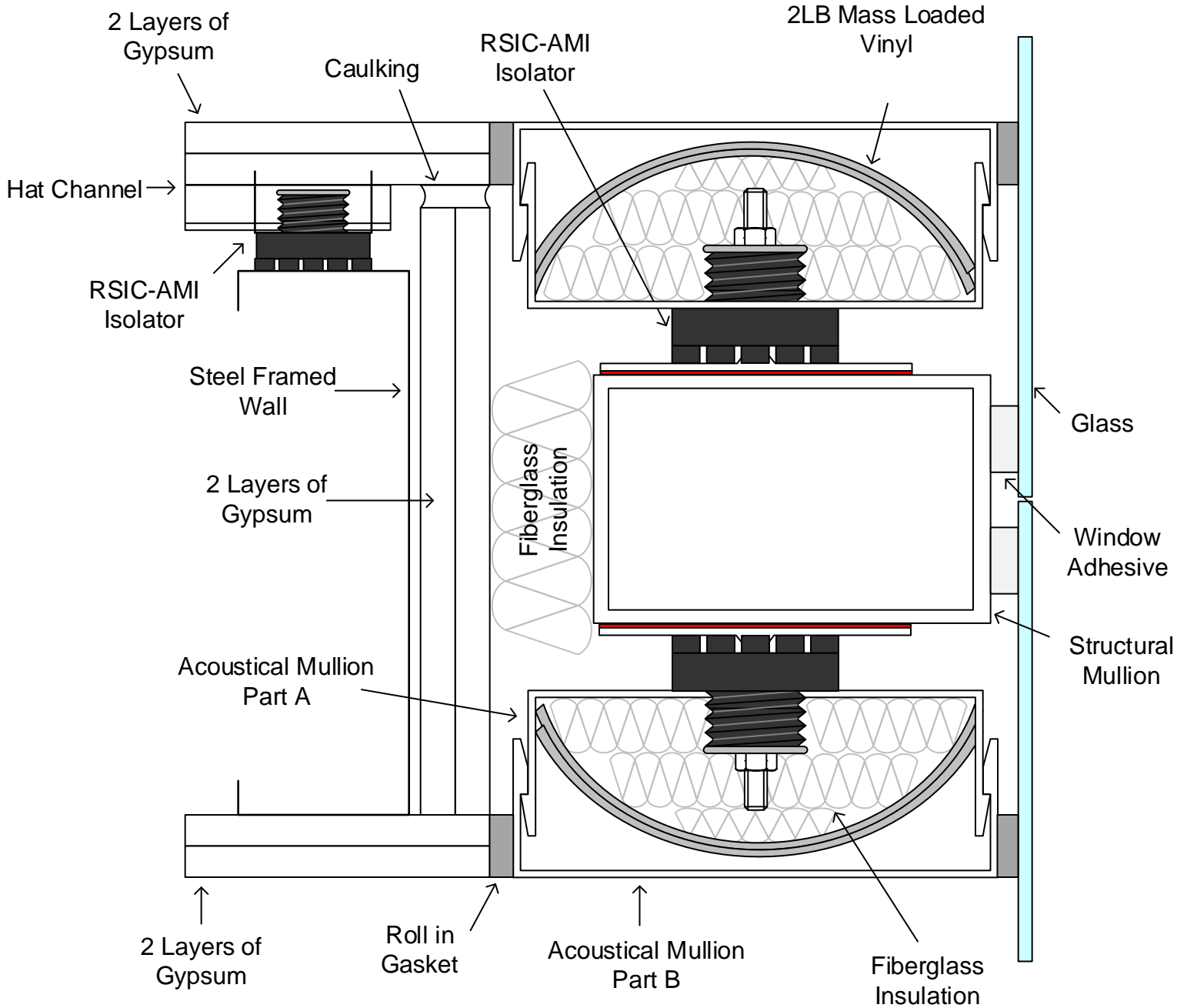
RSIC-AMI Acoustical Mullion Isolator

Snap on finish trim piece, (supplied by others)
Caulk, or gasket edges at wall and window intersections. (Supplied by others)
Repeat for both sides of mullion.



RSIC-AMI Acoustical Mullion Isolator

RSIC-AMI Screw fastened to main mullion with Stainless Steel fasteners.



RSIC-AMI Acoustical Mullion Isolator

RSIC-AMI secured to main mullion with 3M or equivalent VHB adhesive tape.

