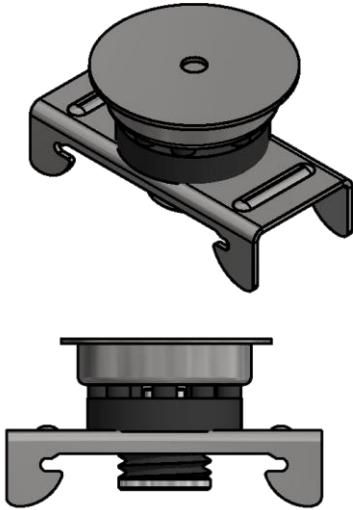




### RSIC-2 RETRO



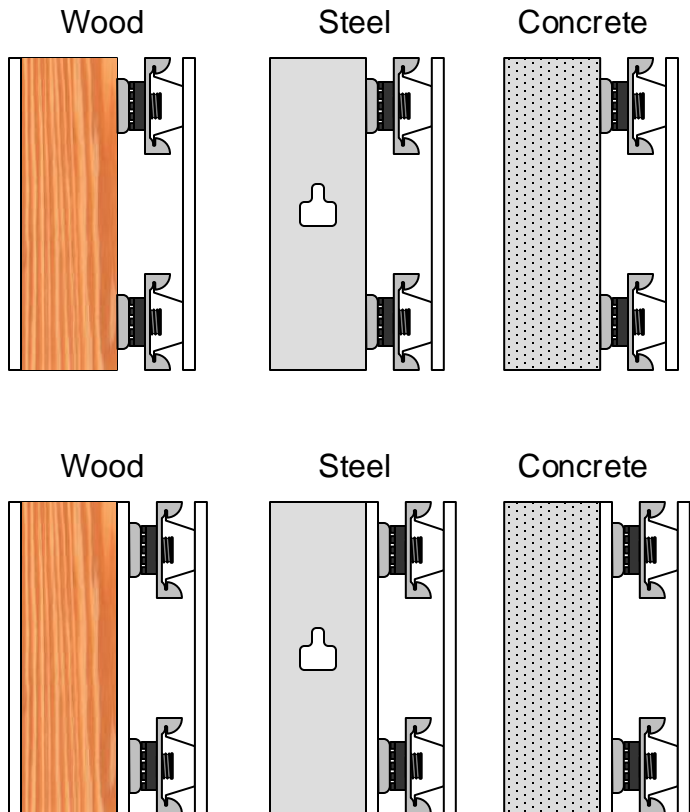
The **RSIC-2 RETRO®** is designed for use with any wood, steel or concrete application where noise control is required. This includes, wood framed, steel framed, CMU, or concrete wall and or ceiling systems. The RSIC-2 Retro assembly decouples the gypsum board from the structure, giving the assembly enhanced acoustical performance. With an Acoustical design load rating of 36 lbs per isolator, the RSIC-2 Retro clip can support up to two layers of 5/8" gypsum board when spaced at 24" x 48" oc. The RSIC-2 Retro clip fastens directly to the framing or structure through the existing system. The RSIC-2 Retro decouples the gypsum board from the structure stopping STC and IIC vibrations from entering the space adjacent.

Wood
Steel
Metal Deck

Steel
Condo
Commercial

Apartment
Retail
Conference Rooms

Recording Studio
Home Theater
Commercial theater



#### RSIC-2 RETRO specifications:

Acoustical design load:	36 lbs
Total deflection	3mm
Double deflection	YES
Low VOC	YES
Adjustable	NO
Cavity min	2"
Cavity Max	2"
Adjustment limit	N/A
Use on Ceilings	YES
Use on walls	YES
New Construction	YES
Assembled In USA	YES