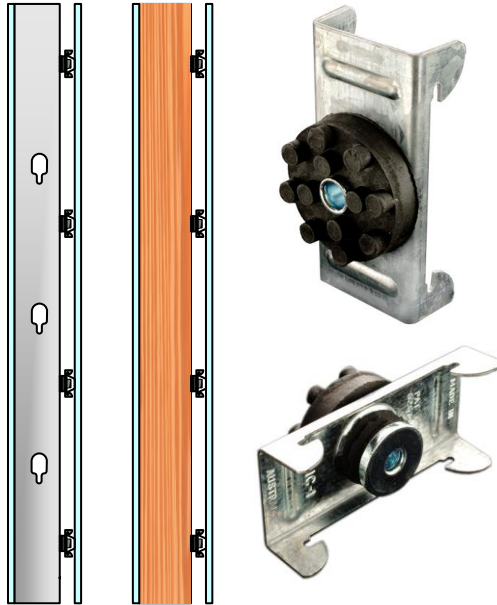


### RSIC-1

The **RSIC-1** is designed for use with any wood, steel or concrete application where noise control is required. This includes, wood framed, steel framed, CMU, or concrete wall and or ceiling systems. The RSIC-1 assembly decouples the gypsum board from the structure, giving the assembly enhanced acoustical performance. With an Acoustical design load rating of 36 lbs per isolator, the RSIC-1 clip can support up to two layers of 5/8" gypsum board when spaced no more than 24" x 48" oc. The RSIC-1 clip fastens directly to the framing or structure. The RSIC-1 decouples the gypsum board from the structure stopping STC and IIC vibrations from entering the space adjacent. The RSIC-1 systems have several UL fire resistive design assemblies from ranging one hour to four hours. The UL assemblies can be viewed on our site at [http://pac-intl.com/fire\\_ratings\\_list.html](http://pac-intl.com/fire_ratings_list.html), and on UL.com



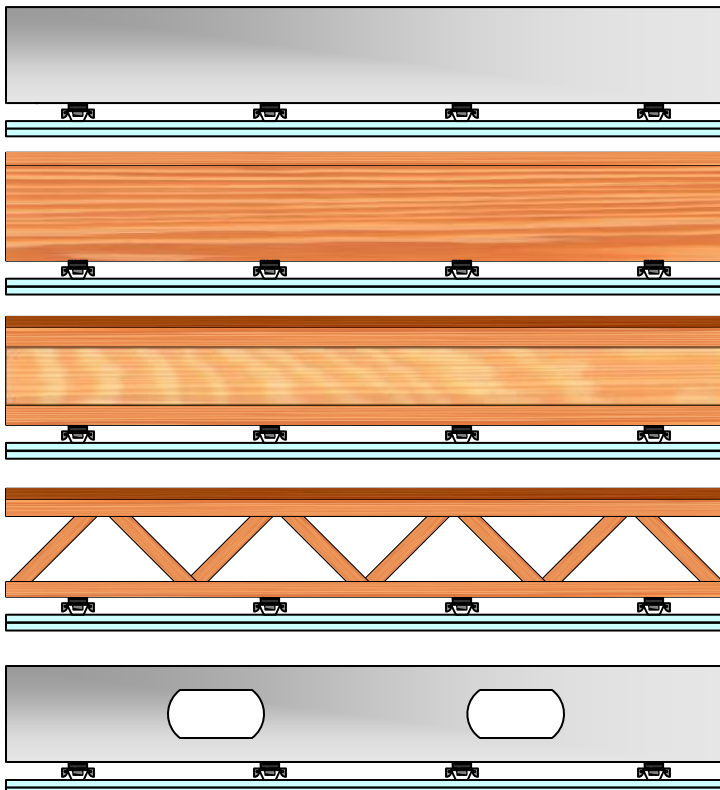
### **RSIC-1, the Low Cost, High Performance, Noise control Solution**

Wood
Steel
Metal deck

Concrete
Condo
Commercial

Apartment
Retail
Conference Rooms

Recording Studio
Home Theater
Commercial theater



RSIC-1 specifications:	
Acoustical design load:	36 Lbs
Total deflection	3 mm
Double deflection	Yes (1.5 mm)
Made with Recycled content	Yes
Low VOC treated	Yes
Adjustable	No
Cavity min	1-5/8"
Cavity Max	1-5/8"
Adjustment limit	N/A
Use on Ceilings	Yes
Use on walls	Yes
New Construction	Yes
Retro Fit	Yes
Made in USA	Yes

## 1. Product Name

- RSIC-1 Resilient Sound Clip System
  - RSIC-1® Resilient Sound Isolation Clips
  - RSIC-1 Backer®

## 2. Manufacturer

PAC International, LLC  
7260 W Azure Dr  
Suite 140-213  
Las Vegas, NV 89130  
Phone: (866) 774-2100  
Fax: (866) 649-2710  
Email: [info@pac-intl.com](mailto:info@pac-intl.com)  
Web: [www.pac-intl.com](http://www.pac-intl.com)

## 3. Product Description

### RSIC-1

The RSIC-1 is designed for use with any wood-framed, steel-framed, CMU, or concrete wall and ceiling system where noise control is needed. The RSIC-1 assembly decouples and isolates the gypsum board or sheet goods from the structure increasing the acoustical performance of the system.

The RSIC-1 stops the noise and vibrations that typically would be allowed to transfer through the structure. The RSIC-1 systems have several UL fire resistive design assemblies ranging from one hour to four hours.

The UL assemblies can be viewed on the PAC International, LLC site ([www.pac-intl.com](http://www.pac-intl.com)) and on **UL.com**. (File #: R16638)

### Materials and Composition

The 18 gauge RSIC-1 clips are composed of galvanized or aluminum-zinc coated steel and is manufactured in Canby, OR.

The RSIC rubber isolators are made of a proprietary rubber and/or manufactured rubber compounds.



**RSIC-1**

### Sizes and Weight-bearing Information:

The RSIC-1 has an acoustical design load rating of 36 pounds per isolator. The RSIC-1 clip can support up to two layers of 5/8 inch gypsum board when spaced at 24 x 48 inches on center. For heavier systems increase the number of isolators and channel to support the additional weight of the system. The RSIC-1 clip fastens directly to the framing or structure creating a 1-5/8 inch cavity between the face of the framing and the back of the gypsum board.

### Product Limitations:

For interior use only with operating temperatures of 40–100 degrees F (4.4–37.8 degrees C).

## 4. Technical Data

### Applicable Standards

ASTM International (ASTM)

**ASTM E90** Standard Test Method for Laboratory Measurement of Airborne Sound Transmission Loss of Building Partitions and Elements

**ASTM E413** Classification for Rating Sound Insulation

Underwriters Laboratories (UL)  
**UL Fire Resistance Directory R16638**  
www.ul.com.

The RSIC-1 may contribute to LEEDS points,  
see Leed information on pac-intl.com

## 5. Installation

General installation: follow manufacturer's  
specific installation instructions.

- Install resilient sound isolation clips and drywall furring channels in accordance with manufacturer's instructions
- Mechanically fasten resilient sound isolation clips to structure with screws, bolts or expansion anchors, dependent upon structure
- Fire-Resistive Design Assemblies: Install as specified in *UL Fire Resistance Directory*, where required
- Do not arbitrarily add resilient sound isolation clips to fire-rated assemblies
- Space resilient sound isolation clips at maximum of 24 x 48 inches (600 x 1200 mm) on center for walls and ceilings
- Do not exceed design load (pull and shear) of 36 pounds per isolation clip
- Stagger isolation clip installation, so dead load is supported by all support members
- Splicing Drywall Furring Channels: Splice drywall furring channels with minimum of six inch (150 mm) laps
- Secure laps with two framing screws or 18 gauge tie wire double wrapped
- Locate splices between resilient sound isolation clips
- Do not locate splices on resilient sound isolation clips

- Install resilient sound isolation clips on one side of wall assembly, unless otherwise indicated on the drawings

### Flanking Noise:

- Review installation details to prevent structure-borne flanking noise
- Do not allow drywall furring channels or gypsum board to contact foreign materials, including floors, ceilings or wall framing members
- Ensure metal ferrule of resilient sound isolation clips is in firm contact with structural member
- Gypsum Board:
  - Install gypsum board in vertical or horizontal position with a 1/4 inch (6 mm) gap around perimeter for acoustical sealant application
  - Install gypsum board in accordance with ASTM C840 as specified in Section 09250

### Acoustical Sealant:

- Seal potential air leaks with acoustical sealant to achieve best Field Sound Transmission Class (FSTC)
- Seal electrical outlets and penetrations with acoustical sealant
- Apply fire-rated acoustical sealant at locations where fire-rated assembly is required
- Putty Pad Sealant: acoustically seal with putty pads, electrical boxes in walls and ceilings in which resilient sound isolation clips are used

## 6. Availability and Cost

Please contact PAC International, LLC. for availability and pricing information.

## 7. Warranty

RSIC-1 clips and RSIC-1 Backer have no warranty.



World Leader  
in Noise  
Control  
Solutions



GYPSUM BOARD ASSEMBLIES 09-21-16

PAC INTERNATIONAL, LLC.

## 8. Maintenance

No maintenance is necessary.

## 9. Technical Services

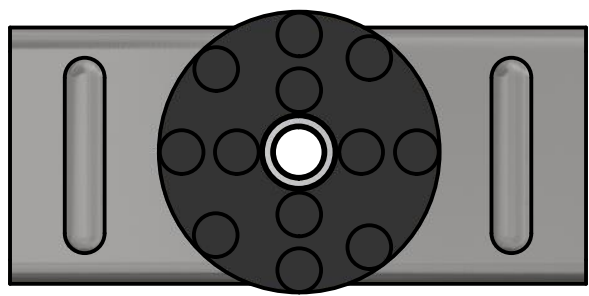
PAC International Inc. offers online product pages, installation guides, and specification sheets. Technical information can be found on the website, [www.pac-intl.com](http://www.pac-intl.com) or by calling 866-774-2100, ext. 101 or 801. Fire ratings, sound test assemblies, CAD drawings, assembly drawings and clip specifications are also on the website.

## 10. Filing Systems

Additional product information is available from the manufacturer upon request

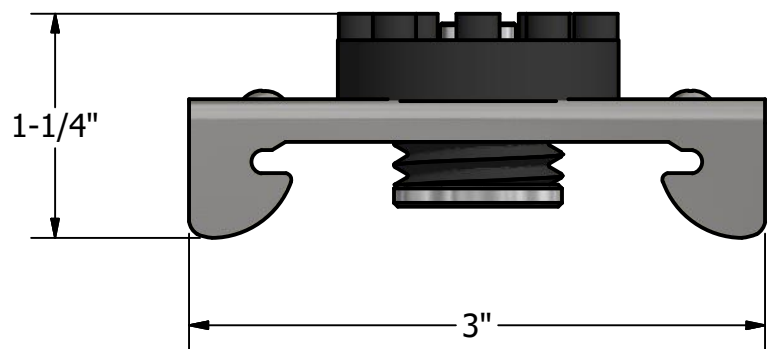
2

1



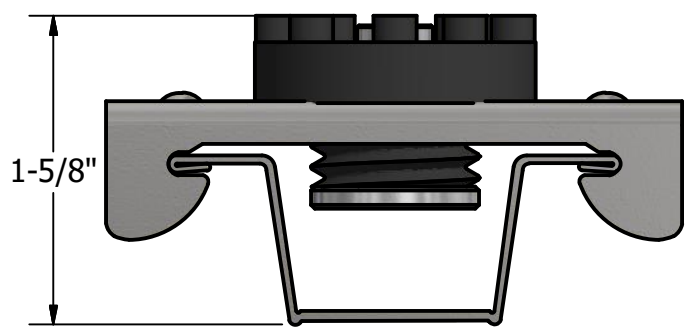
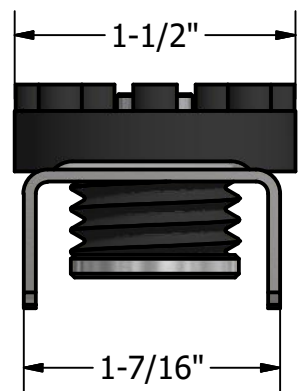
B

B



A

A



A

A

2

1

RSIC-1	 <p>World Leader in Noise Control Solutions</p> 
5/19/2021	
SCALE 1:1	

A



World Leader in  
Noise Control  
Solutions



## LEED Analysis **RSIC-1**

### **Recycled Content**

PAC International's RSIC-1 does not contain significant recycled content.

### **Fabrication Location**

The RSIC-1 is manufactured in Canby, OR 97013

### **Material Source**

The extraction points for the materials in these products cannot be verified. Assume they are outside the 500 mile radius.



## Safety Data Sheet

### Article Statement

(PAC International, LLC Wall and Ceiling Isolation Products)

RSIC-1  
RSIC-SIX  
RC-1 Boost  
RSIC-WHI  
RSIC-SI-1 Ultra  
RSIC-SI-CRC EZ  
RSIC-SI-WHI  
RSIC-SI-FF  
RSIC-1 EXT04  
RSIC-1.5 CRC  
RSIC-1 LOW PROFILE  
RSIC-1 EDGE  
RSIC-1 TTC  
RSIC-1 RETRO  
RSIC-1 BACKER  
RSIC-1 ADM MULTI CLIP/SHOOT IN  
RSIC-1 ADM MINI DROP IN  
RSIC-1 ADM WOOD  
RSIC-1 ADM SIDE MOUNT  
RSIC-U  
RSIC-U-HD  
RSIC-WFI  
RSIC-FGP  
RSIC-DC04  
RISC-DC04HD/DD  
RSIC-DC04X2  
RSIC-DC04X2HD/DD  
RSIC-V  
RSIC-FCR-HD  
RSIC-2  
RSIC-2 RETRO  
RSIC-CWB  
RSIC-CWB HD/DD  
RSIC-CWB HD/DD DC  
RSIC-JOIST ISOLATOR  
RSIC-GDS KIT  
RSIC-AMI  
RSIC-FS TV  
RSIC-PERIMETER TAPE  
RSIC SUPER SCREW  
RSIC-PUTTY PADS  
RSIC MUTLI CLIP  
PAC PRO MC 150+  
LEVELING CLIP

This document is provided for clarification of the Safety Data Sheets that you have requested for our product(s). OSHA Hazard Communication Standard requires a SDS for hazardous chemicals; however, the standard exempts all articles from the requirement. The explanation of an article is described per OSHA definition below.

*Pursuant to 29 CFR 1910.1200 (b) (6) (v) and (c), the product described herein is an “article” or is otherwise excluded from OSHA regulations requiring that a Material Safety Data Sheet be prepared for it.*

*An article defined: manufactured item other than a fluid or particle: (i) which is formed to a specific shape or design during manufacturing; (ii) which has an end use function (s) dependent in whole or in part upon its shape or design during end use; and (iii) which does not release, or other wise result in exposure to, a hazardous chemical under normal conditions of use.*

For technical information and additional resources covering these products please refer to PAC International published literature, e.g., data sheets, product drawings, and installation guidelines at [www.pac-intl.com](http://www.pac-intl.com)

As of the date of this document, the foregoing information is believed to be accurate and is provided in good faith to comply with applicable federal and state laws. However, no warranty or representation of law or fact, with respect to such information, is intended or given.