

# *RSIC-1 INSTALLATION GUIDE*

## **RSIC-1 SOUND ISOLATION CLIP**

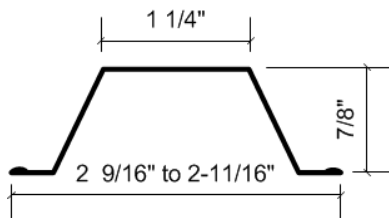
- CONCRETE
- CMU



**RSIC-1**



# RSIC-1 SOUND ISOLATION CLIP



## Drywall Furring Channel:

- **Minimum Requirements:** 25 gauge with hemmed edge required. Meets or exceeds SSMA requirements.
- **Depth:** 7/8 inch
- **Width Bottom:** 2-9/16 to 2-11/16 inch wide minimum.
- **Width Top:** 1-1/4 inch wide

Splice drywall furring channel (hat track) with 6 inch overlap in mid span (between two clips) secure with 18 ga tie wire, or two 7/16" framing screws.

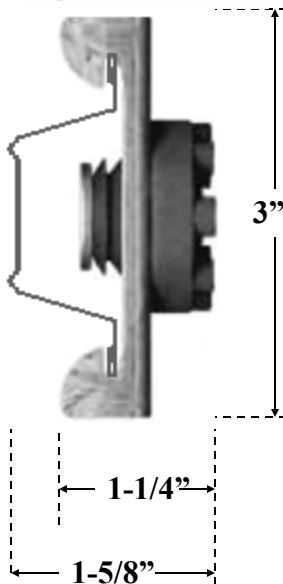


## Resilient Sound Isolation Clip (RSIC-1)

- **Maximum Spacing:** 48 inches on center
- **Maximum Acoustical Design Load:** 36 lbs

## Fasteners:

- **RSIC-1 to Concrete or CMU:** 1/4" drop in anchor, 1/4" drive spike, 3/16" x tapcon, shoot in pin with washer, or product with equal load capabilities (Minimum 120lbs Ultimate, Shear and Pullout).
- Length of fastener determined by the concrete type, strength, and fastener min embed requirements.
- **Call for information on additional approved fasteners.**



## RSIC-1 Dimensions:

- RSIC-1 clip 3" tall
- RSIC-1 clip 1-1/4" deep
- RSIC-1 and drywall furring channel 1-5/8" deep

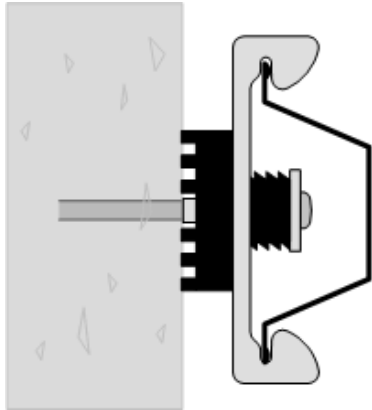
## Average Labor Rates:

- **RSIC-1:** 60 clips per man hour
- **Drywall Furring Channel:** 550LF per man hour

Labor rates provided to PAC International, Inc by an independent contracting firm.

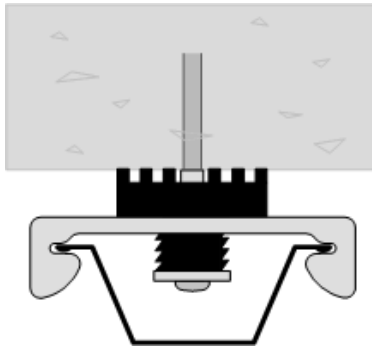
# RSIC-1 SOUND ISOLATION CLIP

## Walls:



- Resilient Sound Isolation Clips (RSIC-1) shall be 48 inches (1219mm) on center maximum. (horizontal)
- Fasten the Resilient Sound Isolation Clip (RSIC-1) to the substrate with an approved fastener.
- Ensure the internal metal ferrel is tight to the substrate.
- Locate the first row of RSIC-1 clips within 3 inches from the floor and within 6 inches from the ceiling.
- Snap in the drywall furring channel (hat track) into the RSIC-1 clips (horizontal for walls).
- Place 1/8" min. shim on floor before installing the gypsum board.
- Install the gypsum board leaving a 1/4" min. gap around perimeter.
- Remove the shims after gypsum board is completely screwed to the drywall furring channel.
- Caulk around the entire perimeter of the gypsum board. Use fire rated sealant where required.

## Ceilings:



- Resilient Sound Isolation Clips (RSIC-1) shall be 48 inches (1219mm) on center maximum.
- Fasten the Resilient Sound Isolation Clip (RSIC-1) to the substrate with an approved fastener.
- Ensure the internal metal ferrel is tight to the substrate.
- Locate the first row of RSIC-1 clips within 8 inches of the wall at each end of a run.
- Snap in the drywall furring channel (hat track) into the RSIC-1 clips.
- Install the gypsum board leaving a 1/4" min. gap around the gypsum board.
- Caulk around entire perimeter of the gypsum board. Use fire rated sealant where required.



## General Information:

- Resilient Sound Isolation Clip (RSIC-1), furring channel (hat track) and gypsum board shall not carry heavy loads such as cabinets or book shelves
- Splice furring channel (hat track) with 6 inch overlap in mid span, secure with 18 ga. tie wire or with two framing screws (7/16")
- Seal all potential air leaks with non-hardening acoustical caulking to achieve best noise control results. Use fire rated sealant where required.

## Fire Test Information:

Approved for use in over 150 different UL Fire Resistive Design Assemblies.

Check our website for the latest updates of the fire testing approvals  
[WWW.PAC-INTL.COM](http://WWW.PAC-INTL.COM)

Check UL Fire Resistance Directory File # R16638  
Check UL's web pages. [www.ul.com/database](http://www.ul.com/database)  
Contact UL (877) UL-HELPS



# RSIC-1 SOUND ISOLATION CLIP

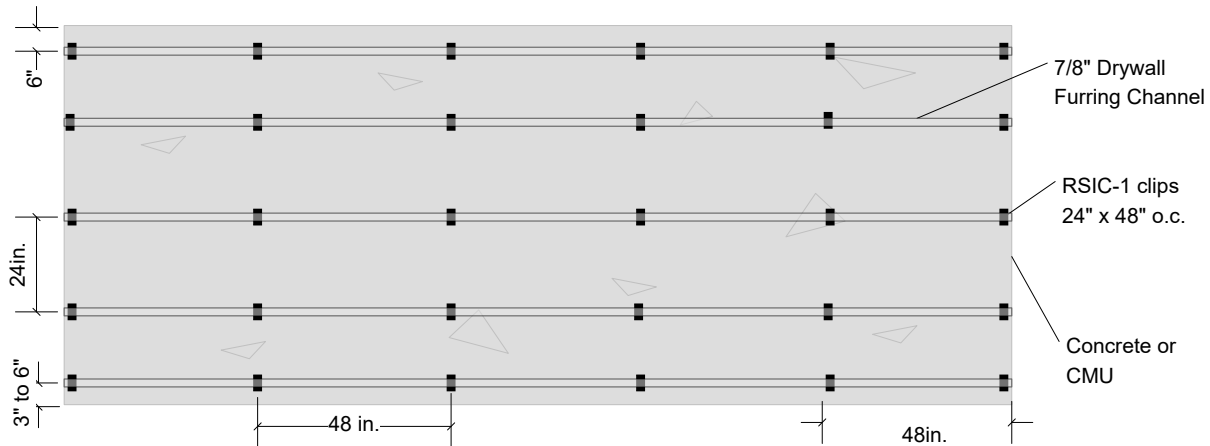
## APPLICATION RECOMMENDATIONS FOR WALLS AND CEILINGS. CONCRETE OR CMU.

### INSTALLING RESILIENT SOUND ISOLATION CLIPS (RSIC-1)

## RSIC CLIPS AT 24" and 16" O.C.

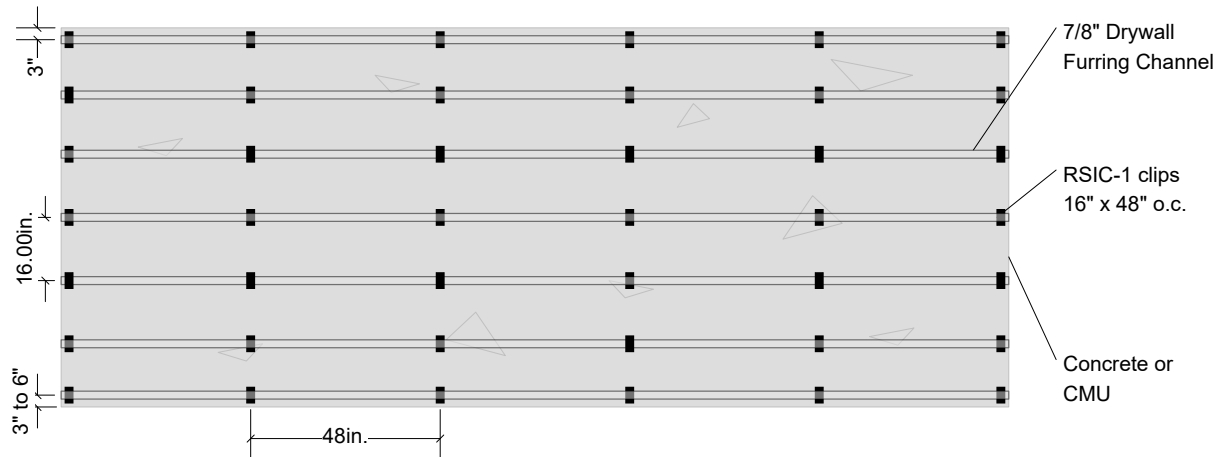
### RSIC-1 Wall or Ceiling System

RSIC-1 clips at 24" x 48" o.c. 1 or 2 Layers of 5/8" Gypsum Board



### RSIC-1 Wall or Ceiling System

RSIC-1 clips at 16" x 48" o.c. 3 Layers of 5/8" Gypsum Board



# RSIC-1 SOUND ISOLATION CLIP



The RSIC-1 is the first and only product classified by UL for both fire and sound.

Members of the International Code Council

## WARRANTY DISCLAIMER AND LIABILITY LIMITATION LANGUAGE

### **NO EXPRESS OR IMPLIED WARRANTIES**

THERE IS NO WARRANTY, REPRESENTATION OR CONDITION OF ANY KIND; AND ANY WARRANTY, EXPRESS OR IMPLIED, IS EXCLUDED AND DISCLAIMED, INCLUDING THE IMPLIED WARRANTIES OF MERCHANTABILITY AND OF FITNESS FOR A PARTICULAR PURPOSE. Some states do not allow limitations on implied warranties, so the above limitation may not apply to you.

### **LIABILITY LIMITED TO RETURN OF PURCHASE PRICE**

IT IS AGREED THAT SELLER'S LIABILITY AND PURCHASER'S SOLE REMEDY, WHETHER IN CONTRACT, UNDER ANY WARRANTY, IN TORT (INCLUDING NEGLIGENCE), IN STRICT LIABILITY OR OTHERWISE, SHALL NOT EXCEED THE RETURN OF THE AMOUNT OF THE PURCHASE PRICE PAID BY PURCHASER, AND UNDER NO CIRCUMSTANCES SHALL SELLER BE LIABLE FOR ANY SPECIAL, INCIDENTAL OR CONSEQUENTIAL DAMAGES, INCLUDING, BUT NOT LIMITED TO, PERSONAL INJURY, PROPERTY DAMAGE, DAMAGE TO OR LOSS OF EQUIPMENT, LOST PROFITS OR REVENUE, COSTS OF RENTING REPLACEMENTS AND OTHER ADDITIONAL EXPENSES, EVEN IF SELLER HAS BEEN ADVISED OF THE POSSIBILITY OF SUCH DAMAGES. THE PRICE STATED FOR THE EQUIPMENT IS A CONSIDERATION IN LIMITING SELLER'S LIABILITY AND PURCHASER'S REMEDY. Some states do not allow the exclusion or limitation of incidental or consequential damages, so the above limitation or exclusion may not apply to you.

### **SELLER NOT LIABLE FOR PURCHASER'S NEGLIGENCE**

SELLER WILL NOT BE LIABLE FOR ANY DAMAGES, LOSSES OR EXPENSES AS A RESULT OF PURCHASER'S NEGLIGENCE, WHETHER DEEMED ACTIVE OR PASSIVE AND WHETHER OR NOT ANY SUCH NEGLIGENCE IS THE SOLE CAUSE OF ANY SUCH DAMAGE, LOSS OR EXPENSE.

### **MODEL FOR DEMONSTRATION PURPOSES ONLY**

THE MODEL OR SAMPLE SHOWN BY SELLER TO BUYER IS USED FOR DEMONSTRATION PURPOSES ONLY. THERE IS NO WARRANTY THAT THE GOODS AS DELIVERED SHALL CONFORM TO THE MODEL OR SAMPLE, AND CONFORMITY OF THE GOODS TO THE MODEL OR SAMPLE IS NOT PART OF THE BASIS OF THE BARGAIN BETWEEN SELLER AND BUYER.

### **NO WARRANTY OR COMPLIANCE WITH SAFETY CODE OR REGULATION**

SELLER DOES NOT WARRANT THAT ANY OF THE GOODS SOLD WILL MEET OR COMPLY WITH THE REQUIREMENTS OF ANY SAFETY CODE, BUILDING OR DWELLING CODE, OR REGULATION OF ANY STATE, MUNICIPALITY OR OTHER JURISDICTION.

### **NEVADA LAW APPLIES**

SELLER AND BUYER AGREE THAT ALL ASPECTS OF THIS TRANSACTION INCLUDING THE APPLICABLE STATUTE OF LIMITATIONS SHALL BE GOVERNED BY THE INTERNAL LAW OF THE STATE OF NEVADA, AND NOT THE LAWS OF CONFLICTS. This warranty gives you specific legal rights, and you may also have other rights which vary from state to state.