



RSIC-1.5 CRC



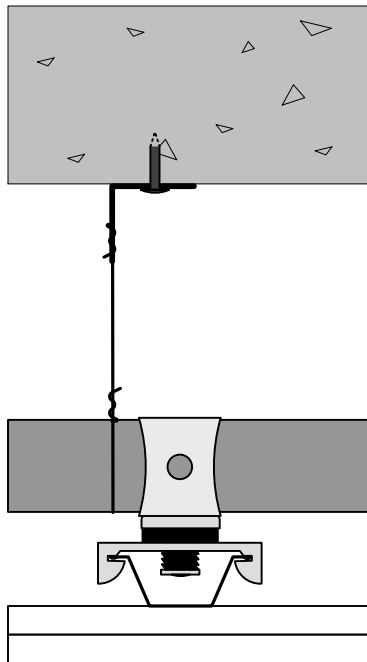
The RSIC-1.5CRC® is designed for use with any joist or concrete application where a dropped drywall ceiling is required. This assembly decouples the Gypsum Board from the floor structure above, giving the assembly enhanced acoustical performance, while allowing for a chase to hide mechanical ducting and plumbing lines. The RSIC-1.5CRC® Clip snaps onto cold rolled channel, allowing for all of the wires supporting the cold rolled channel to be hard connected to the ceiling above, including the vertical strut. The RSIC-1.5CRC® decouples the Gypsum Board below the cold rolled channel to ensure a complete decoupling of the Gypsum Board for optimum noise control.

RSIC-1.5 CRC, the Low Cost, High Performance, Noise control Solution

Steel
Condo
Commercial

Apartment
Retail
Conference Rooms

Recording Studio
Home Theater
Commercial theater



RSIC-1.5 CRC specifications:	
Acoustical design load:	36 Lbs
Total deflection	3 mm
Double deflection	Yes (1.5 mm)
Made with Recycled content	Yes
Cryo low VOC treated	Yes
Adjustable	Yes
Cavity min	3-1/2"
Cavity Max	No limit
Adjustment limit	Wire length
Use on Ceilings	Yes
Use on walls	No
New Construction	Yes
Retro Fit	Yes
Assembled In USA	Yes

1. Product Name

- RSIC-1.5 CRC Boost Resilient Sound Clip..
 - RSIC-1.5 CRC Resilient Sound Clip

2. Manufacturer

PAC International, LLC
7260 W Azure Dr
Suite 140-213
Las Vegas, NV 89130
Phone: (866) 774-2100
Fax: (866) 649-2710
Email: info@pac-intl.com
Web: www.pac-intl.com

3. Product Description

RSIC-1.5 CRC

The RSIC-1.5 CRC is designed for use with ceiling system where noise control is needed. The RSIC-1.5 CRC assembly decouples and isolates the gypsum board or other sheet goods from the structure increasing the acoustical performance of the system.

The RSIC-1.5 CRC stops the noise and vibrations that typically would be allowed to transfer through the structure.

Materials and Composition

The RSIC-1.5 CRC rubber isolators are made of rubber and/or manufactured rubber compound, and steel parts.

Environmental Considerations

The RSIC-1.5 CRC may contribute to LEEDS points, by reducing materials needed to typically reach the high noise control levels the RSIC-1.5crc reaches.

The rubber RSIC-1.5 CRC fittings can be recycled.

The steel recycled content is less than 10 percent as required for fire life and safety regulations.

Weight-bearing Information

With an acoustical design load rating of 36 pounds per isolator, The RSIC-1.5 CRC clip can support up to two layers of 5/8 inch gypsum board when spaced at 24 x 48 inches on center. 16" x 48" oc for three layers of Gypsum board. For heavier systems increase the number of isolators and channel to support the additional weight of the system. The RSIC-1.5 CRC clip clips to 1.5" CRC channel. Ceiling height is determined by the position of the 1.5" CRC channel in the ceiling.



RSIC-1.5 CRC

Product Limitations

For interior use only with operating temperatures of 40–100 degrees F (4.4–37.8 degrees C). Max load 36 Lbs

4. Technical Data

Divisions:	09-2000
	09-8000
	09-8500
	10-2000

Applicable Standards

ASTM International (ASTM)

- **ASTM E90** Standard Test Method for Laboratory Measurement of Airborne Sound Transmission Loss of Building Partitions and Elements

- **ASTM E413** Classification for Rating Sound Insulation Underwriters Laboratories (UL)

- **UL Fire Resistance Directory**; www.ul.com or visit [here](#).

5. Installation

General installation:

follow manufacturer's specific installation instructions.

- Install resilient sound isolation clips Resilient channel following the manufacturer recommendations.
- Clip the resilient sound isolation clips to the 1.5" CRC channel, then screw the RSIC-1.5 CRC to the 1.5" CRC channel.
- Space resilient sound isolation clips at maximum of 24 x 48 inches (600 x 460 mm) on center ceilings
- Do not exceed design load (pull and shear) of 36 pounds per isolation clip



World Leader
in Noise
Control
Solutions



GYPSUM BOARD ASSEMBLIES 09-21-16

PAC INTERNATIONAL, LLC.

- Install 7/8" 25 Ga drywall furring channel (Hat Channel) into RSIC1.5 CRC at a maximum of 24 x 48 inches (600 x 460 mm) on center.
- Splicing Drywall Furring Channels:
 - Splice drywall furring channels with minimum of six inch (150 mm) laps
 - Secure laps with two framing screws or 18 gauge tie wire double wrapped
 - Locate splices between resilient sound isolation clips
 - Do not locate splices on resilient sound isolation clips
- Flanking Noise:
 - Review installation details to prevent structure-borne flanking noise
 - Do not allow drywall furring channels or gypsum board to contact wall framing members
- Gypsum Board:
 - Install gypsum board in perpendicular to the Drywall Furring Channel. Leave a 1/4 inch (6 mm) gap around perimeter for acoustical sealant application
 - Install gypsum board in accordance with ASTM C840 as specified in Section 09250
- Acoustical Sealant:
 - Seal potential air leaks with acoustical sealant to achieve best Field Sound Transmission Class (FSTC)
 - Seal electrical outlets and penetrations with acoustical sealant
 - Apply fire-rated acoustical sealant at locations where fire-rated assembly is required
- Putty Pad Sealant: acoustically seal with putty pads, electrical boxes in walls and ceilings in which resilient sound isolation clips are used

6. Availability and Cost

Please contact PAC International, LLC. for availability and pricing information.

7. Warranty

RSIC-1.5 CRC clips has no warranty.

8. Maintenance

No maintenance is necessary.

9. Technical Services

PAC International Inc. offers online product pages, installation guides, and specification sheets. Technical information can be found on the website, www.pac-intl.com or by calling 866-774-2100, ext. 101 or 801. Fire ratings, sound test assemblies, CAD drawings, assembly drawings and clip specifications are also on the website.

10. Filing Systems

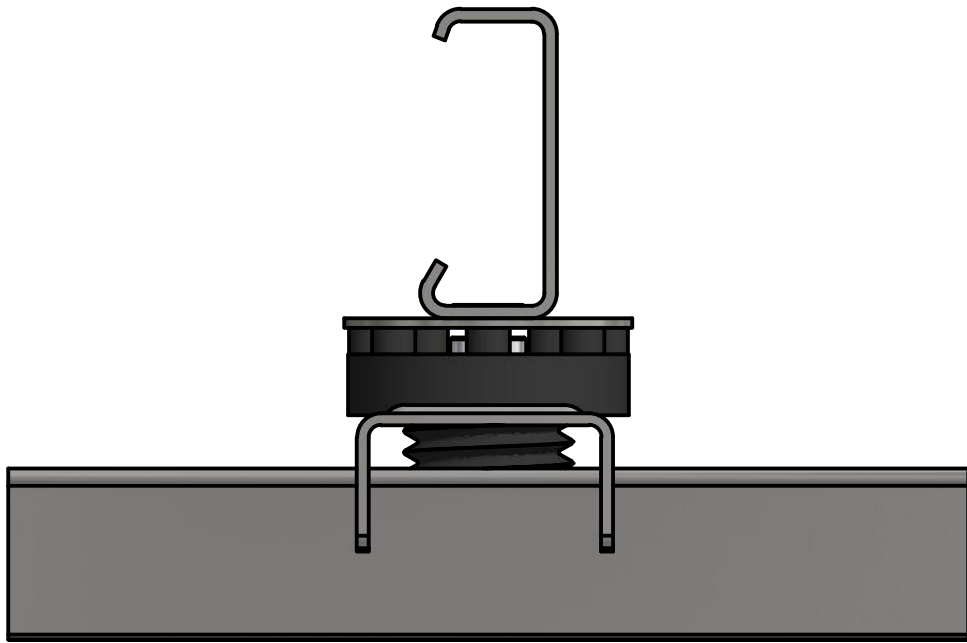
- Additional product information is available from the manufacturer upon request

2

1

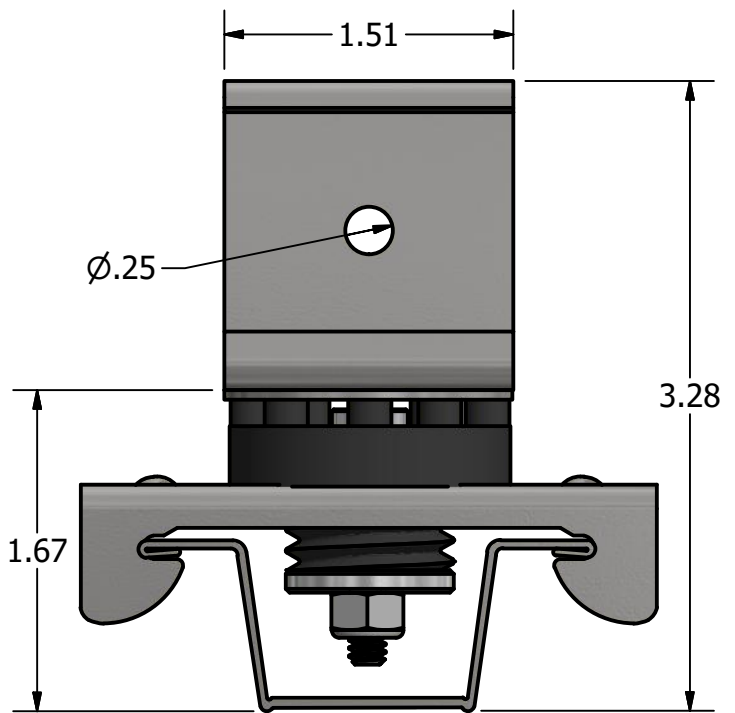
B

B



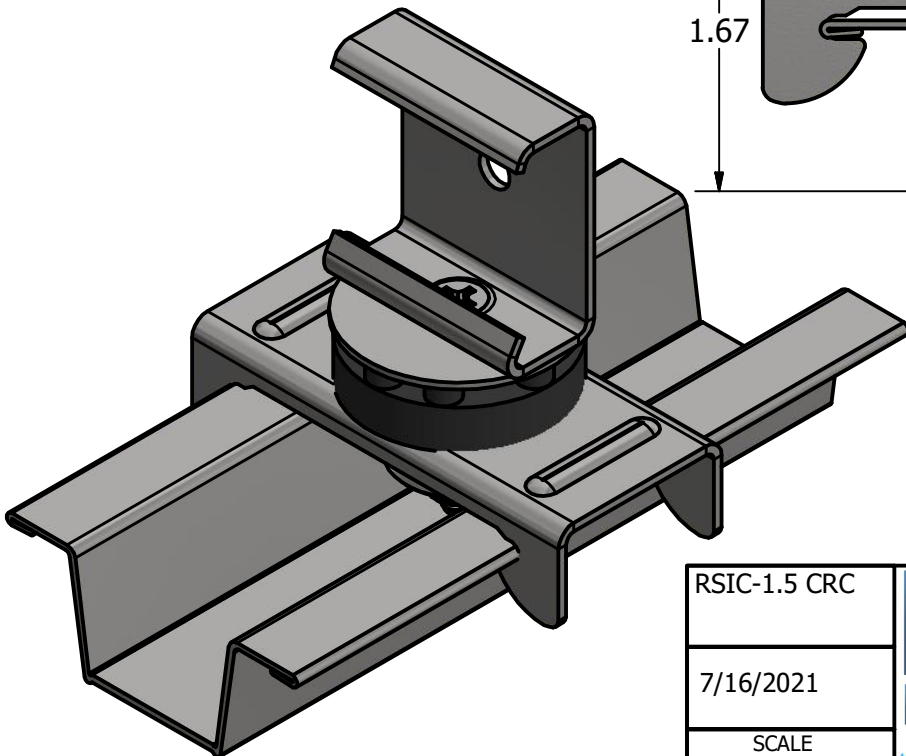
A

A



A

A



2

1

RSIC-1.5 CRC
7/16/2021
SCALE 1 : 1

PAC
International

World Leader in
Noise Control
Solutions



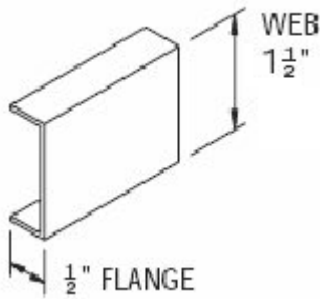
RSIC-1.5CRC INSTALLATION GUIDE

RSIC-1.5CRC SOUND ISOLATION CLIP



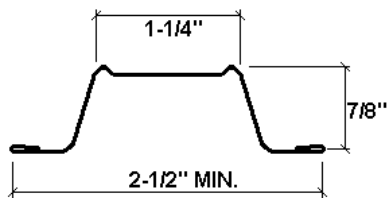
RSIC-1.5CRC

RSIC-1.5CRC SOUND ISOLATION CLIP



Cold Rolled Channel:

- **Minimum requirements:** 16 gauge 1.5" wide. Meets or exceeds SSMA min. requirements.
- **Depth:** 1/2 inch
- **Width:** 1-1/2 inch wide minimum.



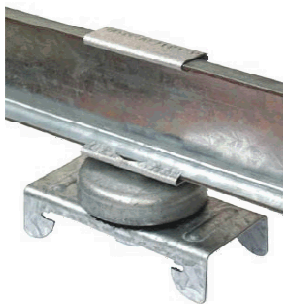
Furring Channel:

- **Minimum requirements:** 25 gauge, hemmed edge detail required on all 25 gauge furring channel. Meets or exceeds SSMA min. requirements. (25 Ga furring channel recommended)
- **Depth:** 7/8 inch
- **Width Bottom:** 2-1/2 inch wide minimum.
- **Width Top:** 1-1/4 inch wide

Splice drywall furring channel (hat track) with 6 inch overlap in mid span (between two clip) secure with 18 Ga tie wire, or two 7/16" framing screws.

Hanger Wires:

Install hanger wire at not more than 48" on center. Install the hanger wires so the hanger wires hang plumb, in a vertical plane with the 1-1/2" (38 mm) Cold Rolled Channel. To not cause lateral force on the 1-1/2" (38 mm) Cold Rolled Channel. Install 1-1/2" (38mm) Cold Rolled Channel at the elevation required using a Double saddle tie. Change the side and direction of the double saddle tie on every other wire, so as to restrict the rollover effect on the 1-1/2" (38 mm) Cold Rolled Channel.



Resilient Sound Isolation Clip (RSIC-1.5CRC)

- **Spacing:** maximum 48 inches on center
- **Maximum acoustical design load:** 36 lbs

RSIC-1.5 CRC dimensions:

- RSIC-1.5 CRC clip 3" tall
- RSIC-1.5 CRC and 7/8" Drywall Furring Channel 1-1/8" deep



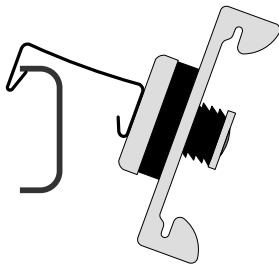
Average Labor Rates:

- **RSIC-1.5 CRC:** 110 clips per man hour
- **Drywall Furring Channel:** 550LF per man hour

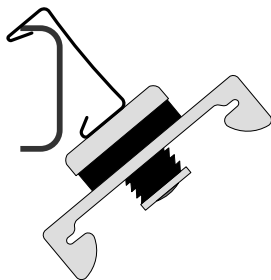
Labor rates provided to PAC International, Inc by independent contracting firm

RSIC-1.5 CRC SOUND ISOLATION CLIP

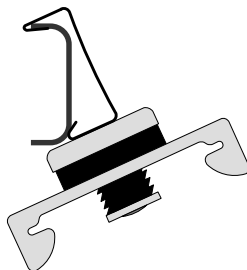
1
Set top edge over CRC channel



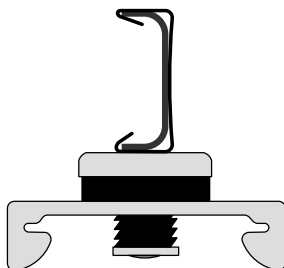
2
Rotate clip around CRC channel



3
Rotate clip under CRC channel



4
Clip snaps onto CRC channel



Ceilings: One and Two layer 5/8" gypsum

- Resilient Sound Isolation Clips (RSIC-1.5 CRC) shall be 48 inches x 24 inches on center .
- Connect the Resilient Sound Isolation Clip (RSIC-1.5 CRC) to the cold rolled channel.
- Ensure the RSIC-1.5 CRC clip is tight to the cold rolled channel.
- Locate the first row of RSIC-1.5 CRC clips within 8 inches of the wall at each end of a run
- Snap in the drywall furring channel (hat track) into the RSIC-1.5 CRC clips.
- Install the gypsum board to the drywall furring channel leaving a 1/4" min. gap around perimeter of the ceiling.
- Caulk around the perimeter of the ceiling. Use fire and smoke rated acoustical sealant where required.

General Information:

- Refer to www.UL.com for complete installation details on all fire resistive assembly designs.
- Resilient Sound Isolation Clip (RSIC-1.5 CRC), furring channel (hat track) and gypsum board shall not carry heavy loads such as cabinets or bookshelves.
- Splice furring channel (hat track) with 6 inch overlap in mid span, secure with 18 ga. tie wire or with two framing screws (7/16")
- Seal all potential air leaks with non-hardening acoustical caulking to achieve best noise control results. Use fire rated sealant where required.

RSIC-1.5 CRC SOUND ISOLATION CLIP

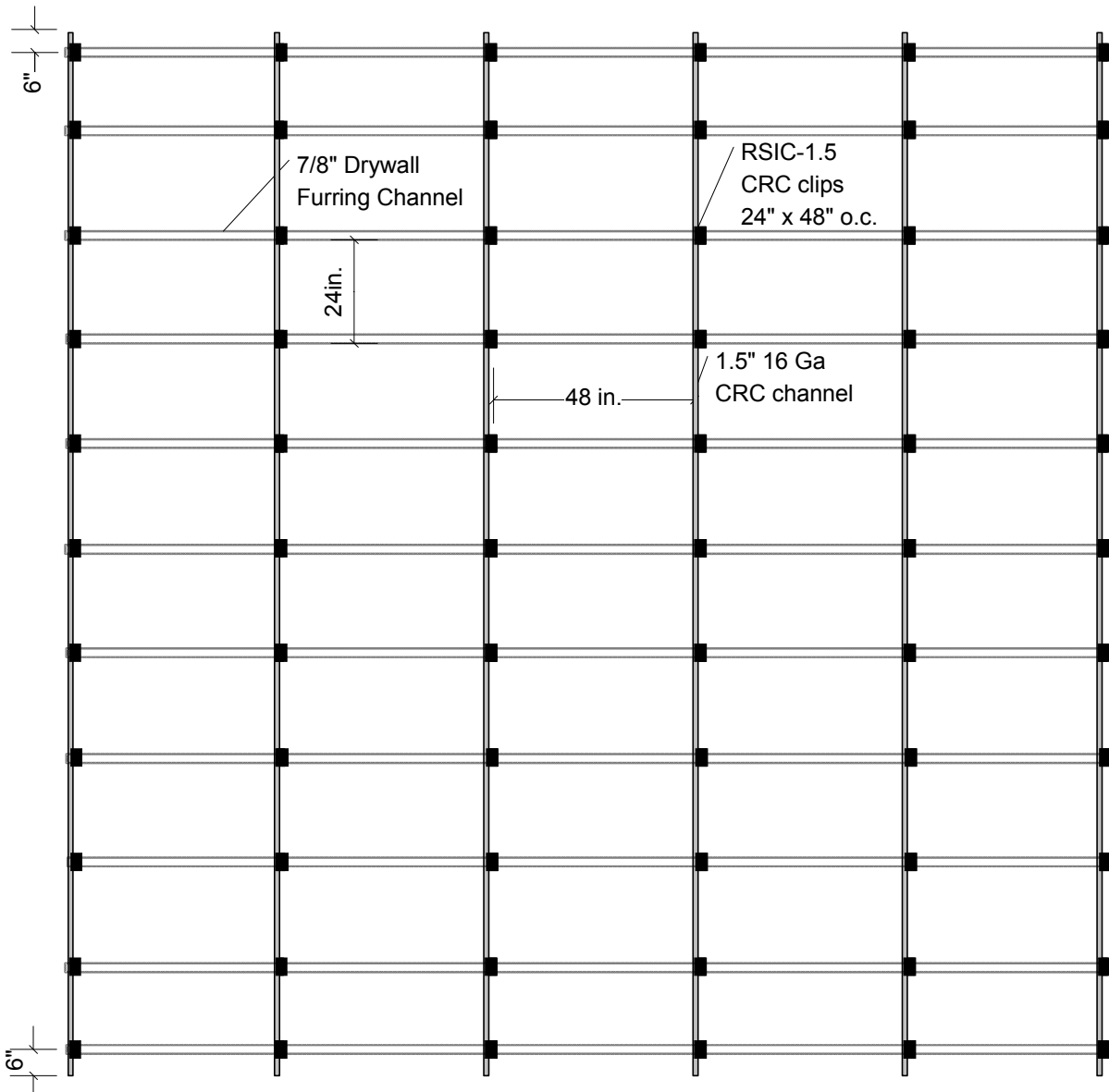
APPLICATION RECOMMENDATIONS FOR WALLS AND CEILINGS, WOOD OR STEEL FRAMING

INSTALLING RESILIENT SOUND ISOLATION CLIPS (RSIC-1.5 CRC)

RSIC CLIPS AT 24" OC.

RSIC-1.5 CRC Ceiling System Framing at 48" o.c.

RSIC-1.5 CRC clips at 24" x 48" o.c. 1 or 2 Layers of 5/8" Gypsum Board



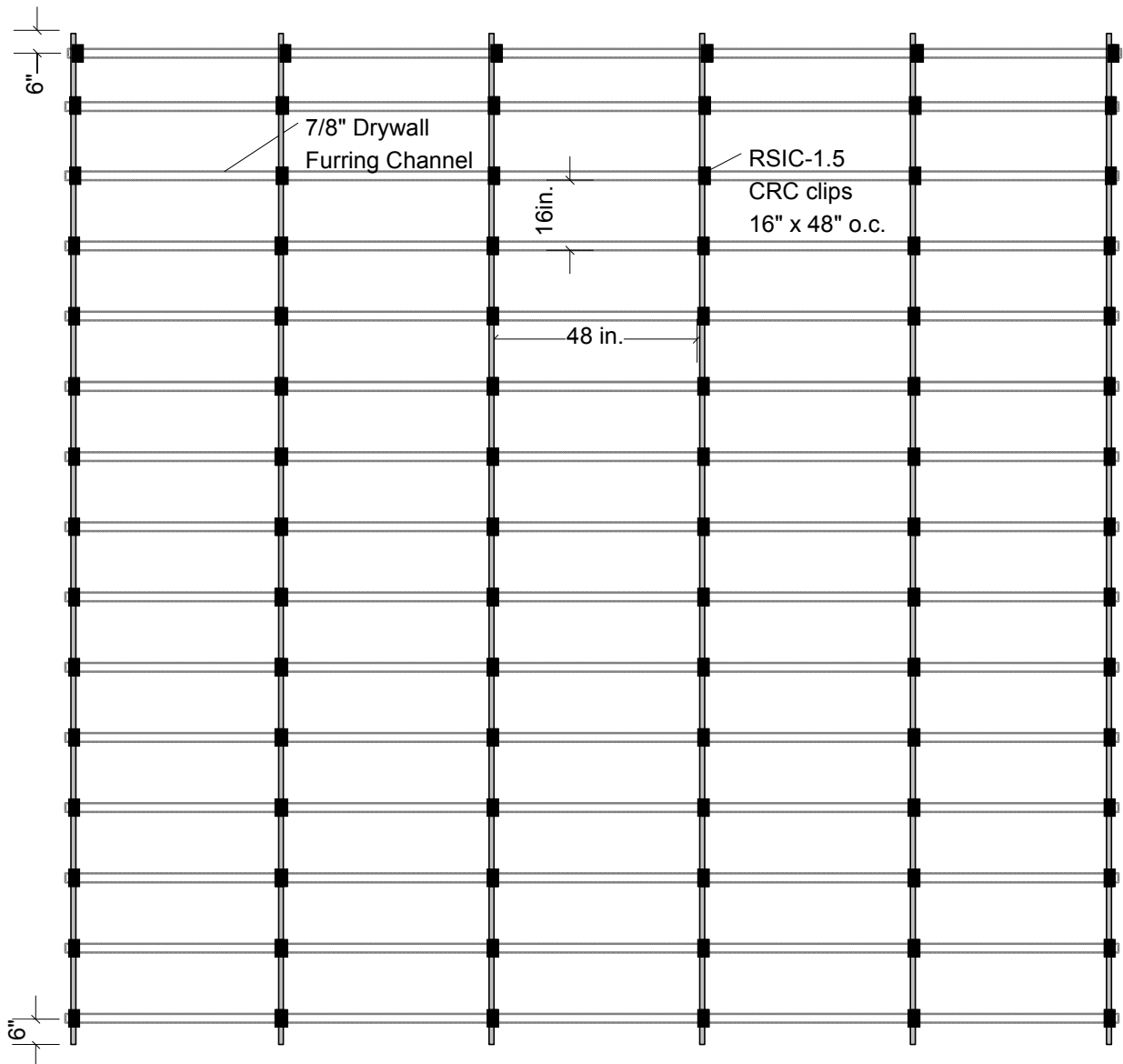
RSIC-1.5 CRC SOUND ISOLATION CLIP

APPLICATION RECOMMENDATIONS FOR WALLS AND CEILINGS, WOOD OR STEEL FRAMING

INSTALLING RESILIENT SOUND ISOLATION CLIPS (RSIC-1.5 CRC)

RSIC CLIPS AT 16" OC.

RSIC-1.5 CRC Ceiling System Framing at 48" o.c.
RSIC-1.5 CRC clips at 16" x 48" o.c. For 2 or 3 Layers of 5/8" Gypsum Board



RSIC-1.5 CRC SOUND ISOLATION CLIP



RSIC-1.5CRC



Members of the International Code Council

WARRANTY DISCLAIMER AND LIABILITY LIMITATION LANGUAGE

NO EXPRESS OR IMPLIED WARRANTIES

THERE IS NO WARRANTY, REPRESENTATION OR CONDITION OF ANY KIND; AND ANY WARRANTY, EXPRESS OR IMPLIED, IS EXCLUDED AND DISCLAIMED, INCLUDING THE IMPLIED WARRANTIES OF MERCHANTABILITY AND OF FITNESS FOR A PARTICULAR PURPOSE. Some states do not allow limitations on implied warranties, so the above limitation may not apply to you.

LIABILITY LIMITED TO RETURN OF PURCHASE PRICE

IT IS AGREED THAT SELLER'S LIABILITY AND PURCHASER'S SOLE REMEDY, WHETHER IN CONTRACT, UNDER ANY WARRANTY, IN TORT (INCLUDING NEGLIGENCE), IN STRICT LIABILITY OR OTHERWISE, SHALL NOT EXCEED THE RETURN OF THE AMOUNT OF THE PURCHASE PRICE PAID BY PURCHASER, AND UNDER NO CIRCUMSTANCES SHALL SELLER BE LIABLE FOR ANY SPECIAL, INCIDENTAL OR CONSEQUENTIAL DAMAGES, INCLUDING, BUT NOT LIMITED TO, PERSONAL INJURY, PROPERTY DAMAGE, DAMAGE TO OR LOSS OF EQUIPMENT, LOST PROFITS OR REVENUE, COSTS OF RENTING REPLACEMENTS AND OTHER ADDITIONAL EXPENSES, EVEN IF SELLER HAS BEEN ADVISED OF THE POSSIBILITY OF SUCH DAMAGES. THE PRICE STATED FOR THE EQUIPMENT IS A CONSIDERATION IN LIMITING SELLER'S LIABILITY AND PURCHASER'S REMEDY. Some states do not allow the exclusion or limitation of incidental or consequential damages, so the above limitation or exclusion may not apply to you.

SELLER NOT LIABLE FOR PURCHASER'S NEGLIGENCE

SELLER WILL NOT BE LIABLE FOR ANY DAMAGES, LOSSES OR EXPENSES AS A RESULT OF PURCHASER'S NEGLIGENCE, WHETHER DEEMED ACTIVE OR PASSIVE AND WHETHER OR NOT ANY SUCH NEGLIGENCE IS THE SOLE CAUSE OF ANY SUCH DAMAGE, LOSS OR EXPENSE.

MODEL FOR DEMONSTRATION PURPOSES ONLY

THE MODEL OR SAMPLE SHOWN BY SELLER TO BUYER IS USED FOR DEMONSTRATION PURPOSES ONLY. THERE IS NO WARRANTY THAT THE GOODS AS DELIVERED SHALL CONFORM TO THE MODEL OR SAMPLE, AND CONFORMITY OF THE GOODS TO THE MODEL OR SAMPLE IS NOT PART OF THE BASIS OF THE BARGAIN BETWEEN SELLER AND BUYER.

NO WARRANTY OR COMPLIANCE WITH SAFETY CODE OR REGULATION

SELLER DOES NOT WARRANT THAT ANY OF THE GOODS SOLD WILL MEET OR COMPLY WITH THE REQUIREMENTS OF ANY SAFETY CODE, BUILDING OR DWELLING CODE, OR REGULATION OF ANY STATE, MUNICIPALITY OR OTHER JURISDICTION.

NEVADA LAW APPLIES

SELLER AND BUYER AGREE THAT ALL ASPECTS OF THIS TRANSACTION INCLUDING THE APPLICABLE STATUTE OF LIMITATIONS SHALL BE GOVERNED BY THE INTERNAL LAW OF THE STATE OF NEVADA, AND NOT THE LAWS OF CONFLICTS. This warranty gives you specific legal rights, and you may also have other rights which vary from state to state.