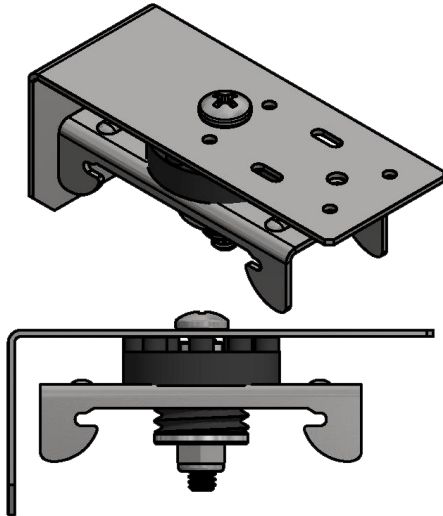




RSIC-1 EDGE



The **RSIC-1-EDGE** is designed for use with any wood framed, steel framed, CMU, or concrete wall and ceiling system with the RSIC-1 clips . The RSIC-1-EDGE assembly decouples and isolates the gypsum board or plywood from the structure where sufficient framing is not present to mount the standard RSIC-1 clips. With an Acoustical design load rating of 18 lbs per isolator, the RSIC-1-Edge clip can support one layer of 5/8" gypsum board when spaced at 24" x 48" oc., and 2 layers of 5/8" gypsum board when spaced at 24" x 24" oc. For heavier systems increase the number of isolators to support the additional weight of the system. The RSIC-1-EDGE clip fastens directly to the framing or structure creating a 1-5/8" cavity between the face of the framing and the back of the gypsum board aligning with the RSIC-1 clips.

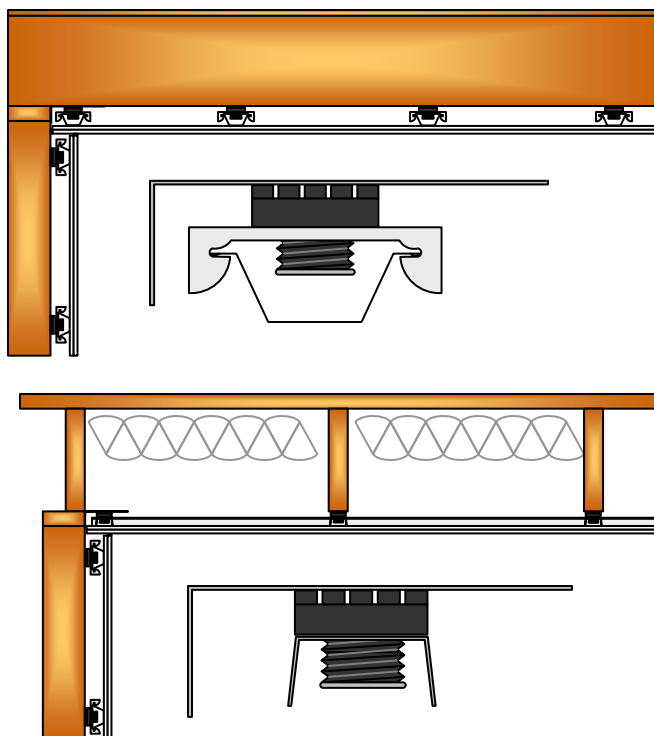
RSIC-1-EDGE, the Low Cost, High Performance, Noise control Solution

Wood
Steel
Metal deck

Concrete
Condo
Commercial

Apartment
Retail
Conference Rooms

Recording Studio
Home Theater
Commercial theater



RSIC-1 specifications:	
Acoustical design load:	18 Lbs
Total deflection	3 mm
Double deflection	Yes (1.5 mm)
Made in the USA	Yes
Made with Recycled content	Yes
Low VOC treated	Yes
Adjustable	No
Cavity min	1-5/8"
Cavity Max	1-5/8"
Adjustment limit	N/A
Use on Ceilings	Yes
Use on walls	Yes
New Construction	Yes
Retro Fit	Yes
Assembled in USA	Yes