

RSIC ACOUSTIC ASSEMBLY

NOISE CONTROL WALL and CEILING ASSEMBLY



RSIC Wall and Ceiling Perimeter Tape

PRODUCT SUBMITTAL SHEET

GENERAL INFORMATION closed cell polyethylene foam tape with single side rubber based adhesive. Available in rolls 1/4 inch thick x 1 inch wide x 50 foot long. RSIC Perimeter tape is flexible to conform to most surfaces, smooth or irregular. Use at perimeter of ceilings, and walls to isolate and dampen edge of sheet materials.

Material Type: Polyethylene Foam with Adhesive Backing

Thickness: 1/4"

Length: 50'

Width: 1"

Cut With: Scissors, Knife, or Saw

Tensile Strength: 39 psi

Density: 2 lbs./cu. ft.

Ideal temperature Range: 0° to +140° F

Working Temperature Range: -20° to +160° F

Foam Structure: Closed Cell

Firmness, psi: 5 (25% Deflection)

Color: White

Properties: Oil Resistant, Abrasion Resistant, Tear Resistant, Impact Resistant, Weather Resistant, Chemical Resistant



APPLICATION Clean surface thoroughly before use. Test product for system compatibility, job site conditions and materials may impact results. Position tape to within 1/8 inch of the gypsum boards final position. The tape should be in full contact with the perimeter of the sheet good (gypsum board, or wood paneling). If the tape is misaligned, remove, discard, and re-apply. RSIC Perimeter Tape is a one time use material, and can not be removed and re-applied.

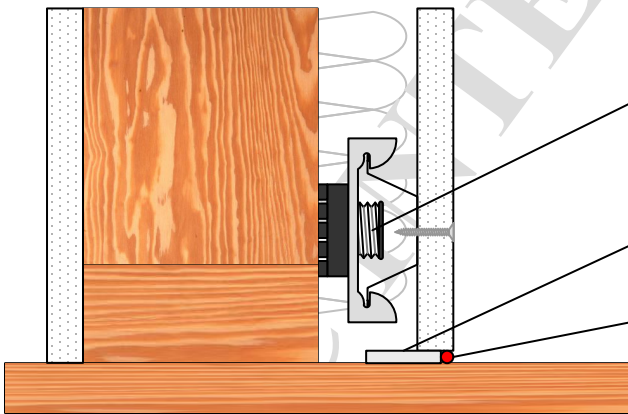
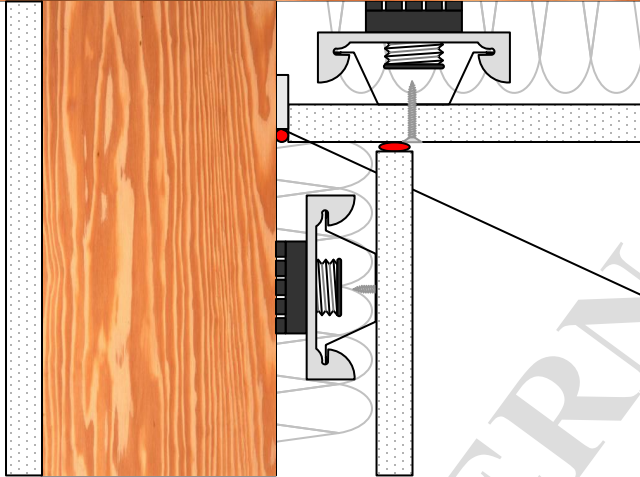
RSIC ACOUSTIC ASSEMBLY

NOISE CONTROL WALL ASSEMBLY



RSIC Perimeter Tape

PAC-RSIC-PT



RSIC Perimeter Tape with adhesive back. And Caulking

RSIC-1 Clip or RSIC-V Clip
New Construction or Retro Fit Construction

RSIC Perimeter Tape with adhesive back.

Acoustical Caulking

RSIC ACOUSTIC ASSEMBLY

NOISE CONTROL ASSEMBLY

RSIC Perimeter Tape

